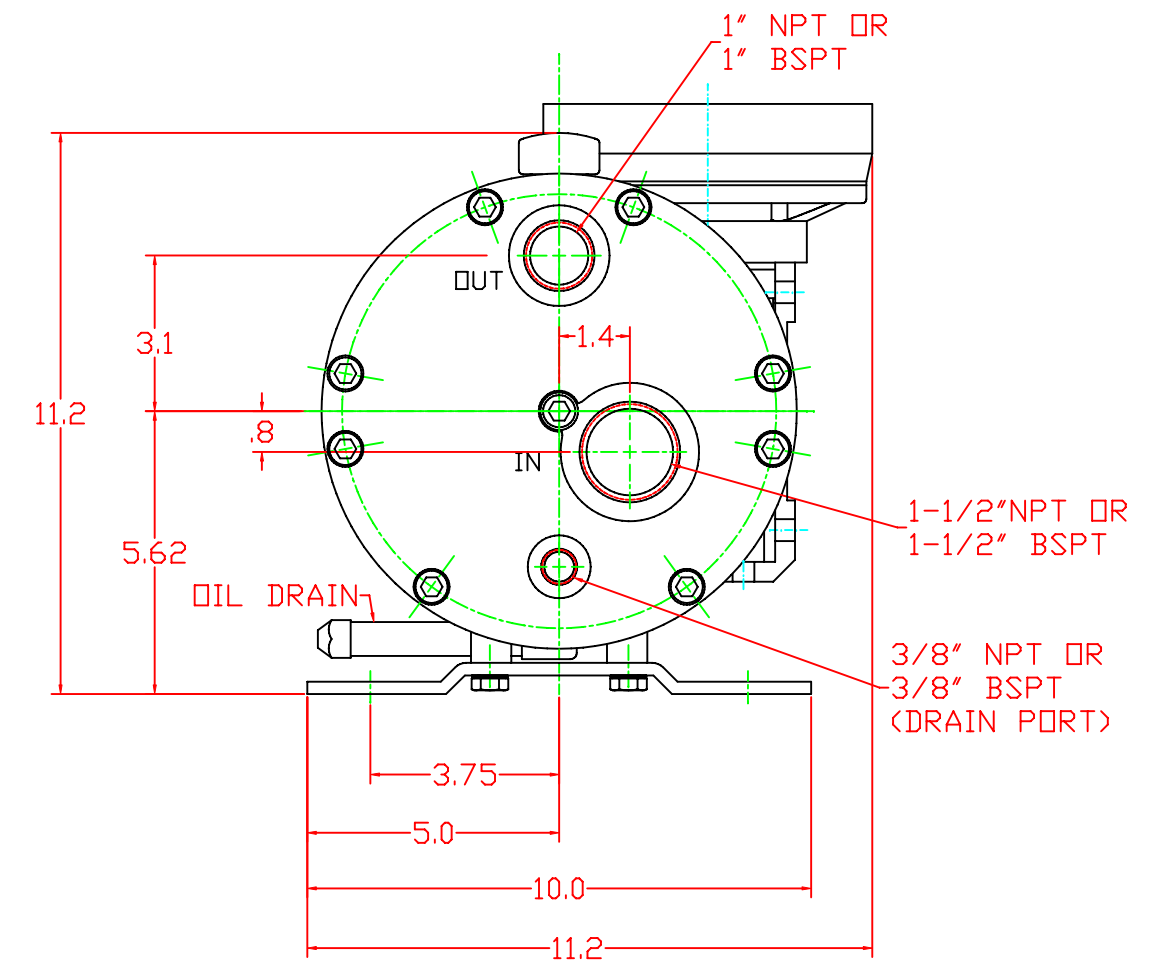
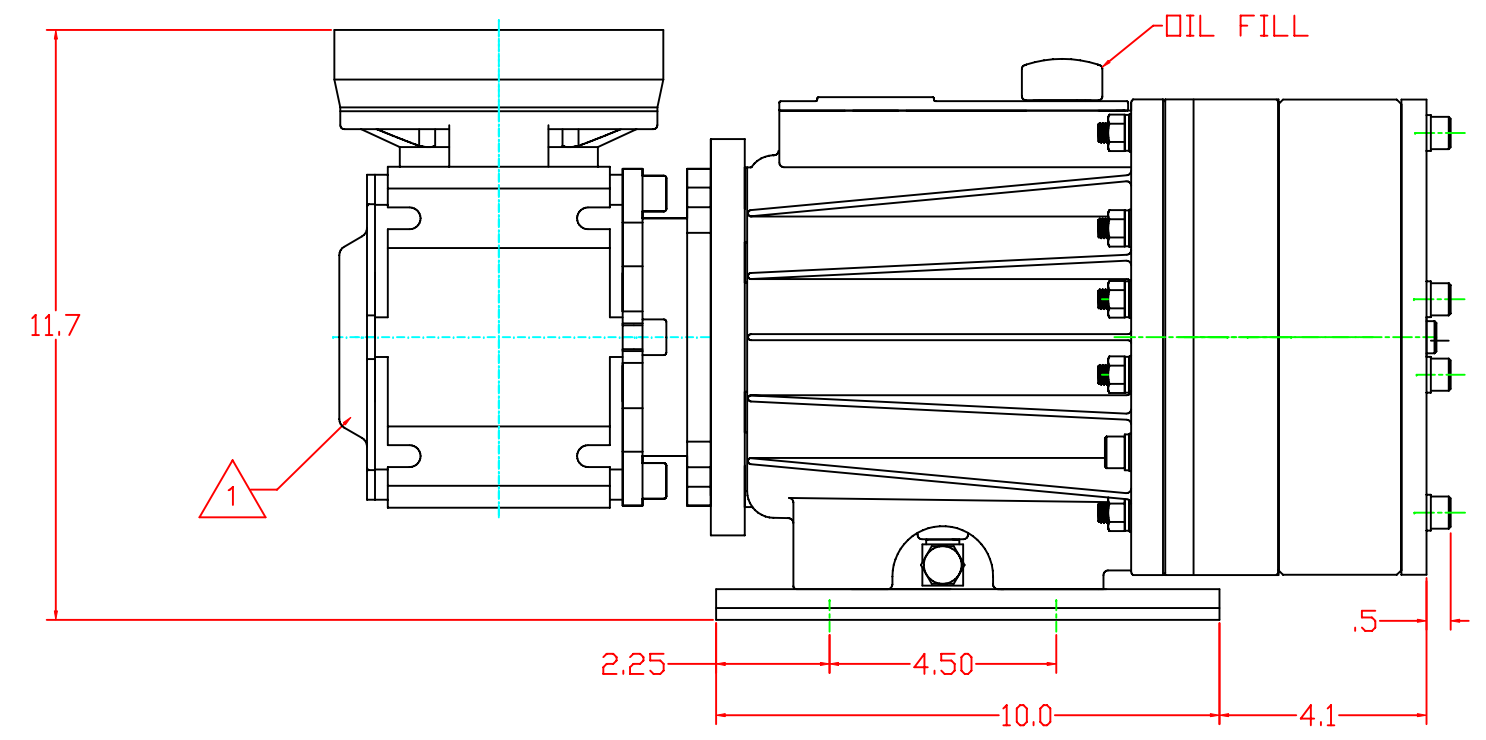
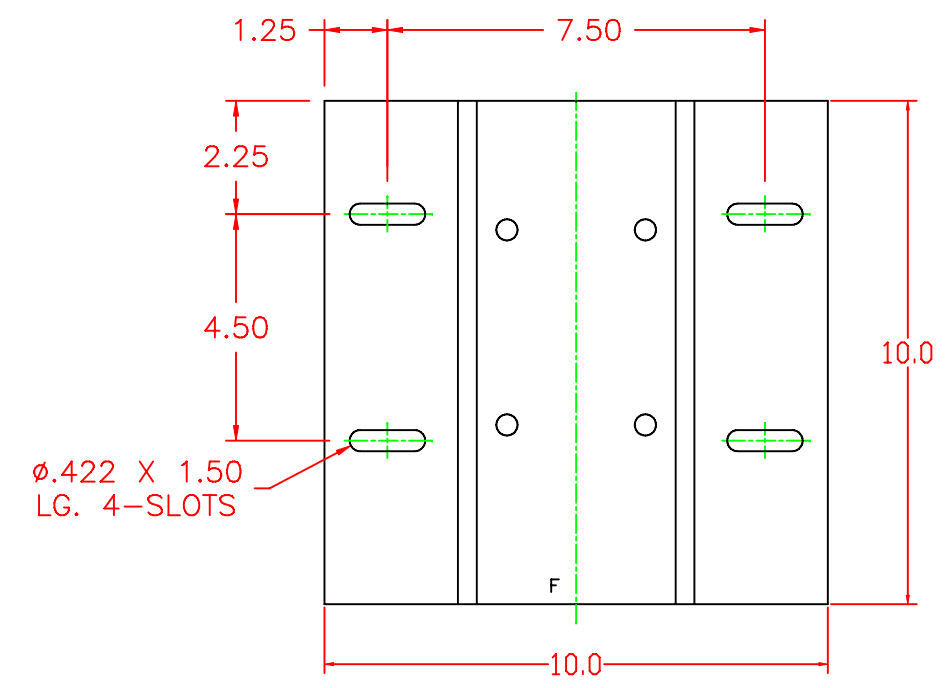
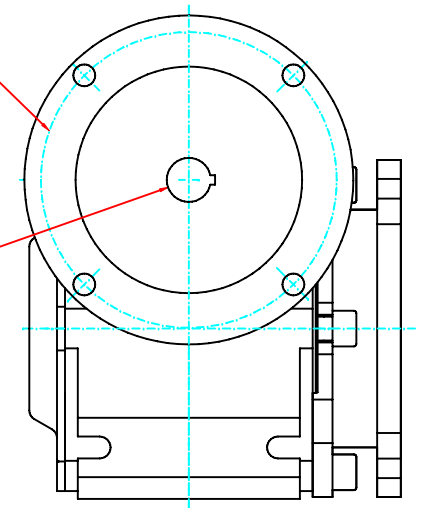


NEMA 143/5TC FLANGE
 Ø4.500 PILOT
 Ø5.875 BOLT CIRCLE

NEMA 143/5TC
 Ø.875
 0.187 SQUARE KEY



NOTES:

1. WORM GEAR REDUCER AVAILABLE IN THE FOLLOWING RATIO'S:
 - 5:1, 7.5:1

2. WEIGHT = 126 LBS (57 KG) - DOES NOT INCLUDE MOTOR.

UNLESS OTHERWISE SPECIFIED		TOL UNLESS NOTED		DWN 05-30-06 JJH		MAT'L PUMPING HEAD AVAILABLE IN POLYPROPYLENE OR KYNAR	
- ALL DIMENSIONS ARE IN INCHES.		.X = ± .020		CHK'D		WANNER ENGINEERING INC	
- DRAWING MAY NOT BE TO SCALE		.XX = ± .010		APP'D		1204 CHESTNUT AVE. MPLS, MN 55403	
- ALL DIMENSIONS APPLY AFTER PLATING, COATING AND HEAT TREATING, BUT BEFORE PAINTING.		.XXX = ± .005		USED ON:		TITLE	
- REMOVE ALL BURRS, BREAK ALL SHARP EDGES AND CORNERS		ANGLES = ± .50°		SHEET 1 OF 1		DIM DWG, P600, FB75, 140TC	
PROPRIETARY STATEMENT		FINISH: 125 RMS		SCALE 1:2		DWG NO	
This document contains confidential and proprietary information and is not to be reproduced or the information contained therein disclosed to others without consent, in writing, from WANNER ENGINEERING INC.		FORM DBLK		FORM DBLK		P600-DIM-PLASTIC-FB75-140TC	
						REV.	
						A	