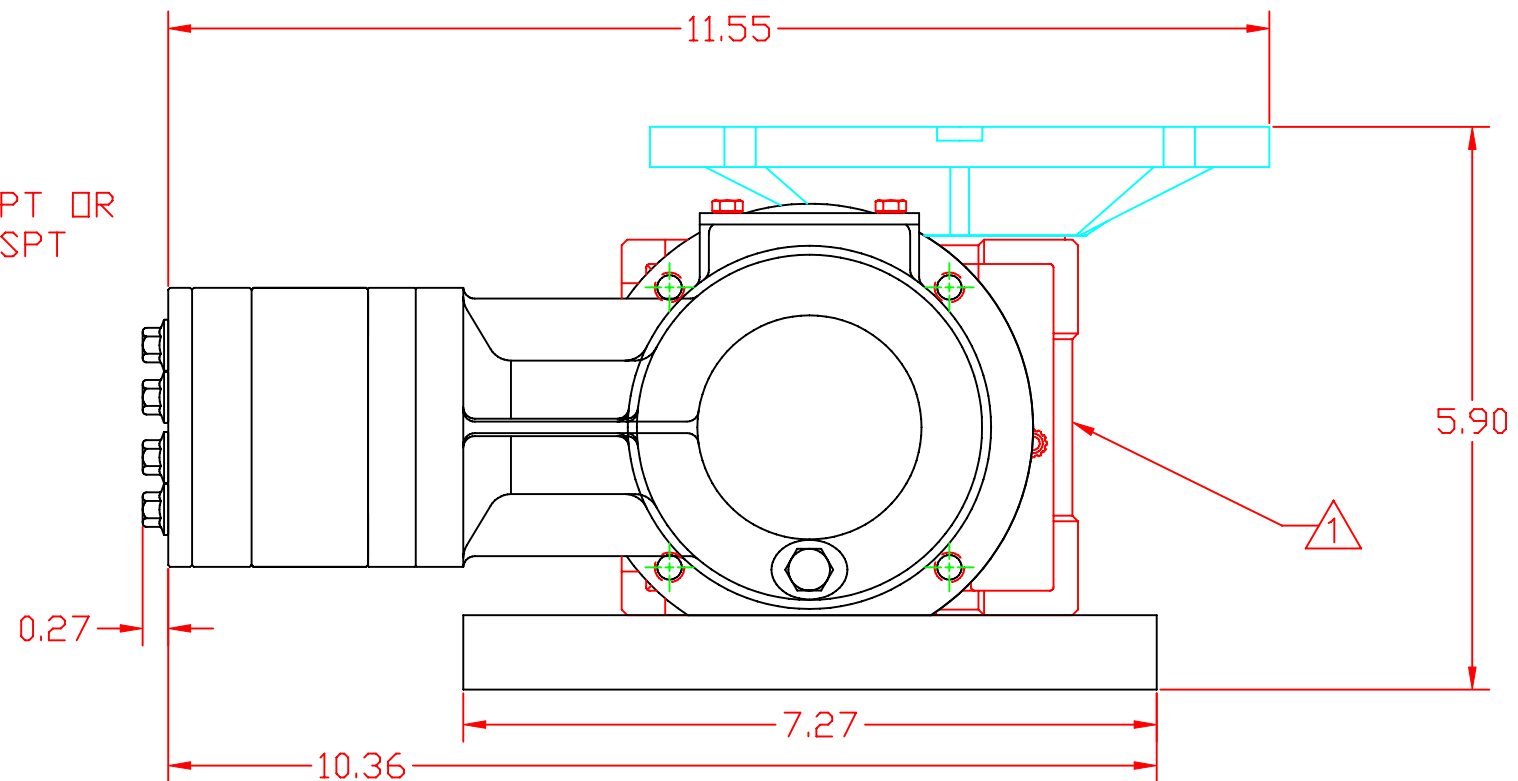
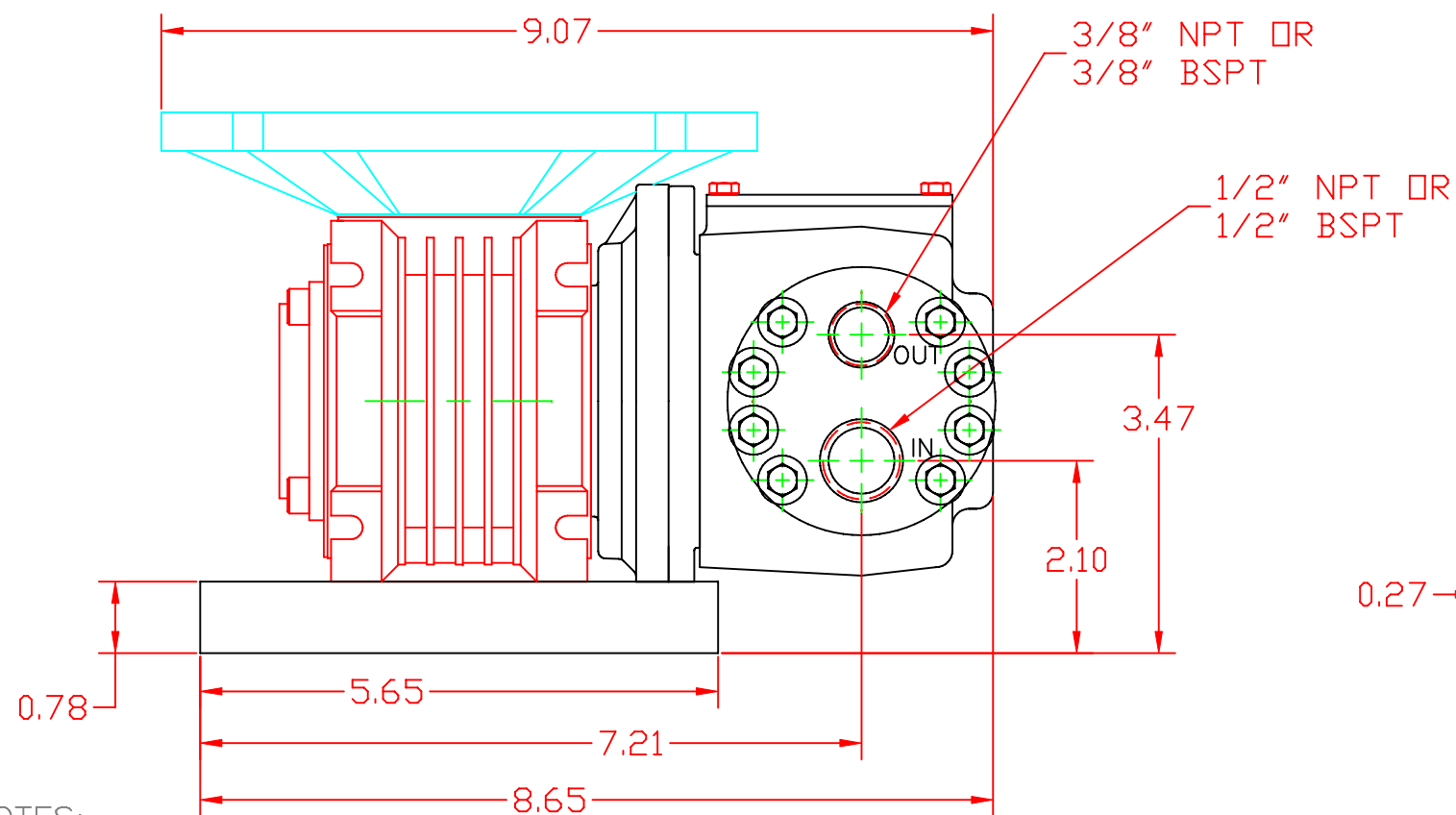
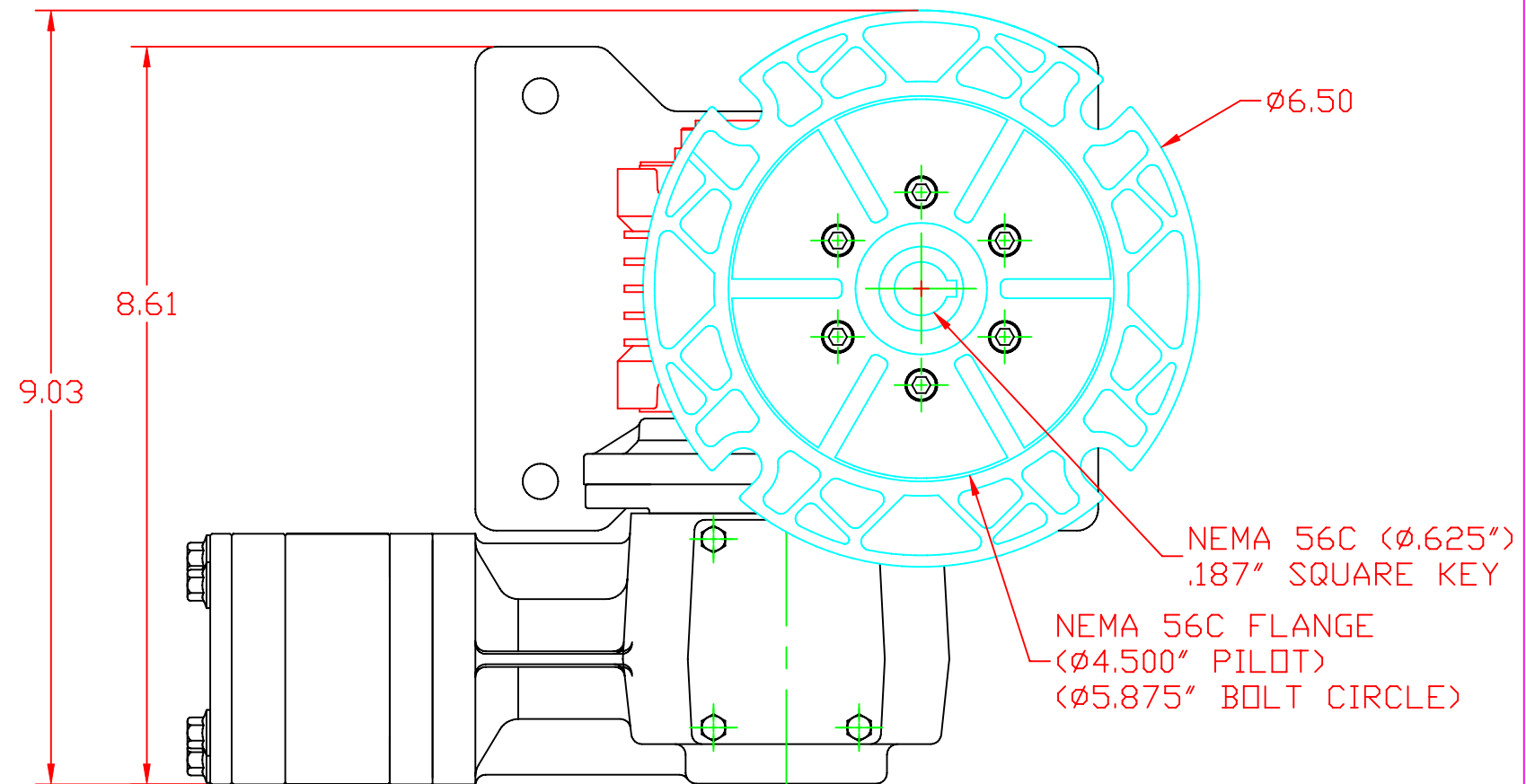
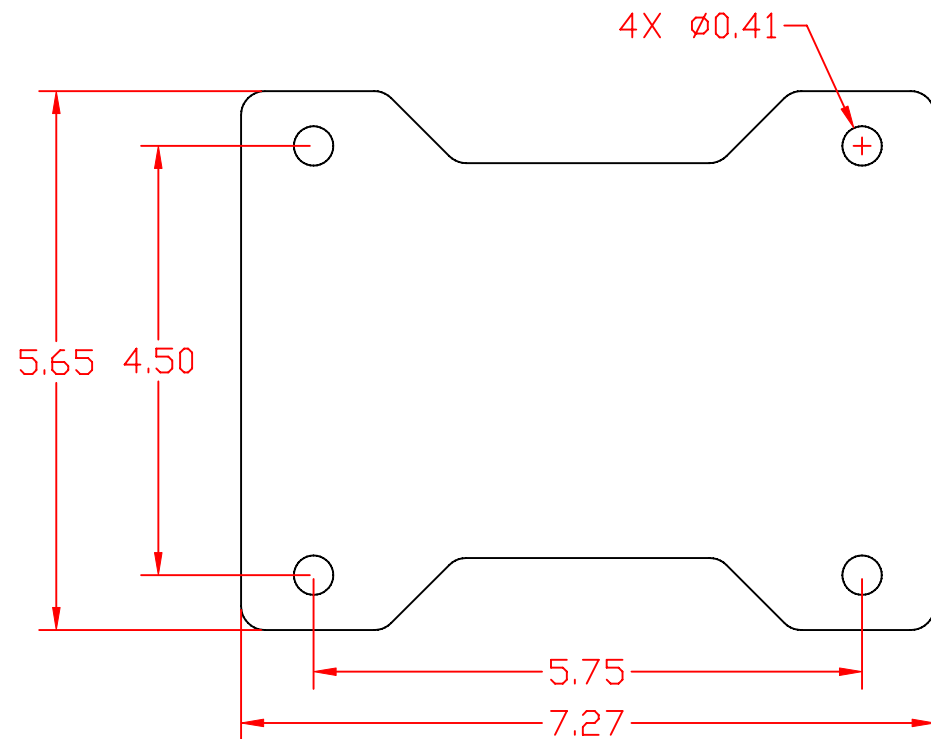


NOTES:

1. WORM GEAR REDUCER AVAILABLE IN THE FOLLOWING RATIOS: 5:1, 7.5:1, 10:1, 15:1, 20:1, 25:1, 30:1, 40:1, 50:1, 60:1, 80:1, 100:1.
2. WEIGHT = 18.5 LBS (8.4 KG) (NO MOTOR)

UNLESS OTHERWISE SPECIFIED		MAT'L PUMPING HEAD AVAILABLE IN 316 SST OR HASTELLOY C	
- ALL DIMENSIONS ARE IN INCHES.	TOL UNLESS NOTED	DWN 06-07-05 JJH	WANNER ENGINEERING INC
- DRAWING MAY NOT BE TO SCALE	.X = ± .020	CHK'D	1204 CHESTNUT AVE. MPLS, MN 55403
- ALL DIMENSIONS APPLY AFTER PLATING, COATING AND HEAT TREATING, BUT BEFORE PAINTING.	.XX = ± .010	APP'D	TITLE
- REMOVE ALL BURRS, BREAK ALL SHARP EDGES AND CORNERS	.XXX = ± .005	USED ON X X	DIMENSIONAL DWG, P100
	ANGLES = ± .50°	NEXT ASSY X X	DWG NO
	FINISH: 125 RMS	SHEET 1 OF 1	P100-DIM-METAL
		SCALE 1:1	FORM DBLK
<p>PROPRIETARY STATEMENT</p> <p>This document contains confidential and proprietary information and is not to be reproduced or the information contained therein disclosed to others without consent, in writing, from WANNER ENGINEERING INC.</p>			REV. A



NOTES:

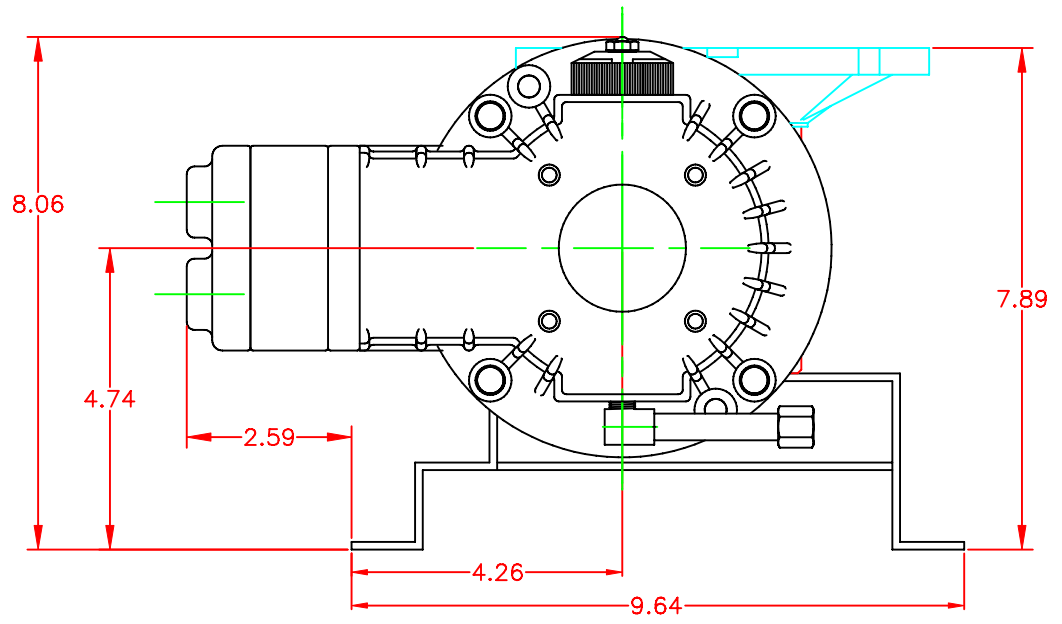
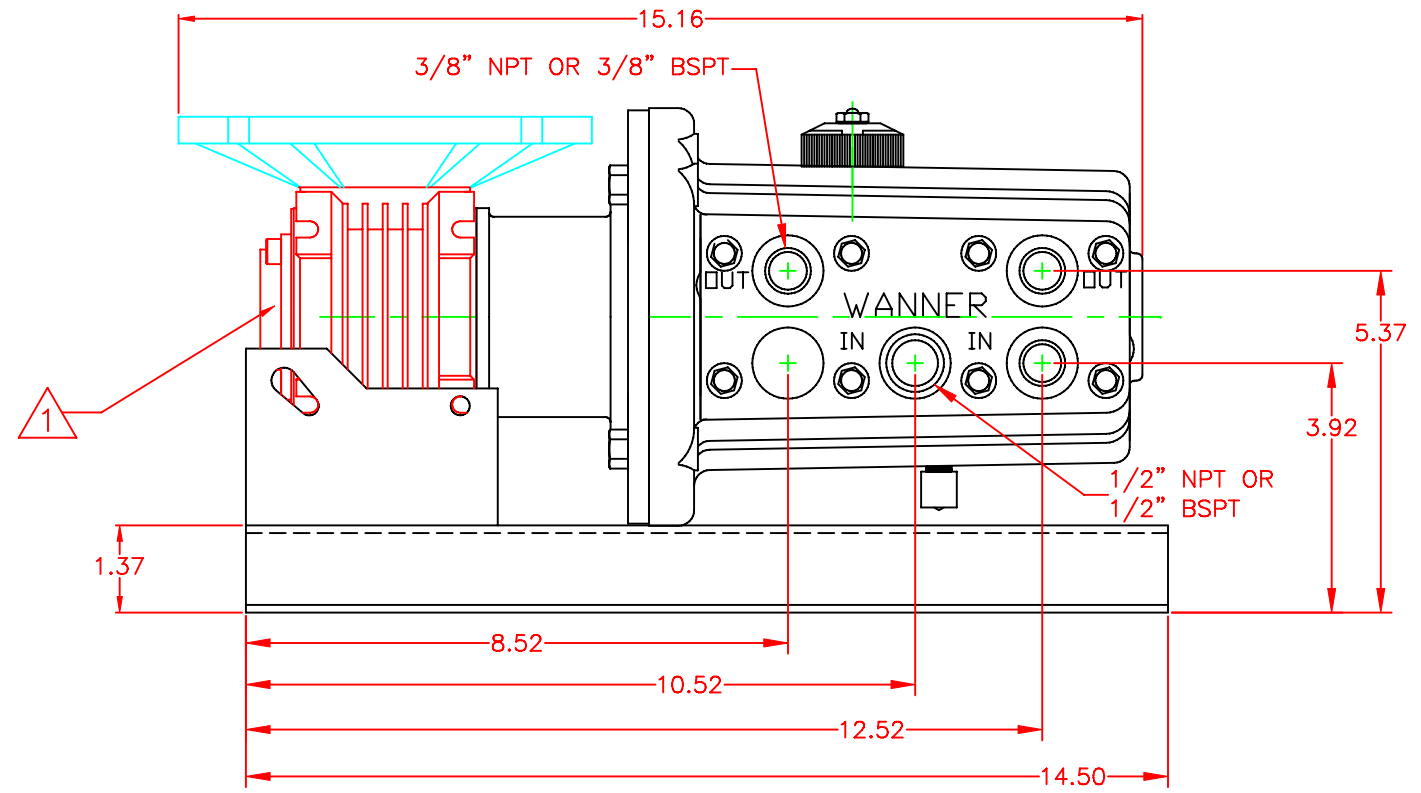
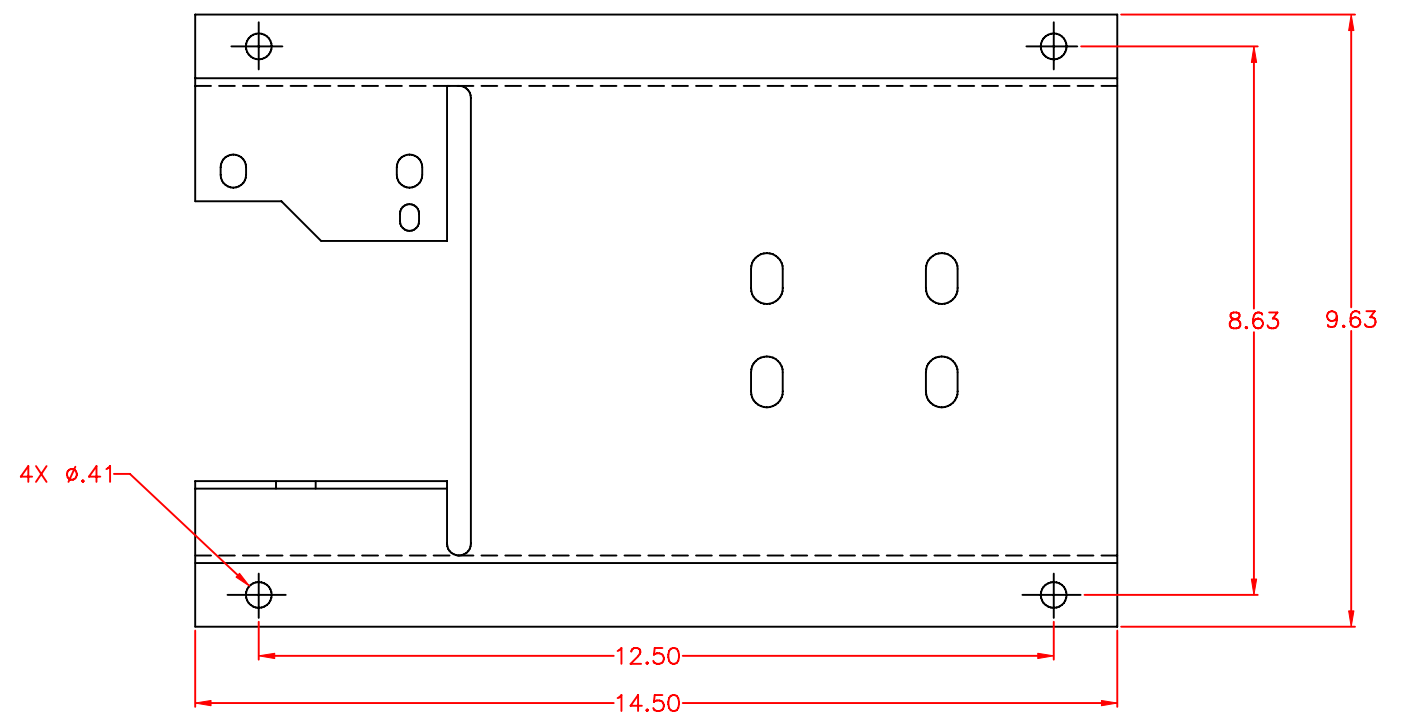
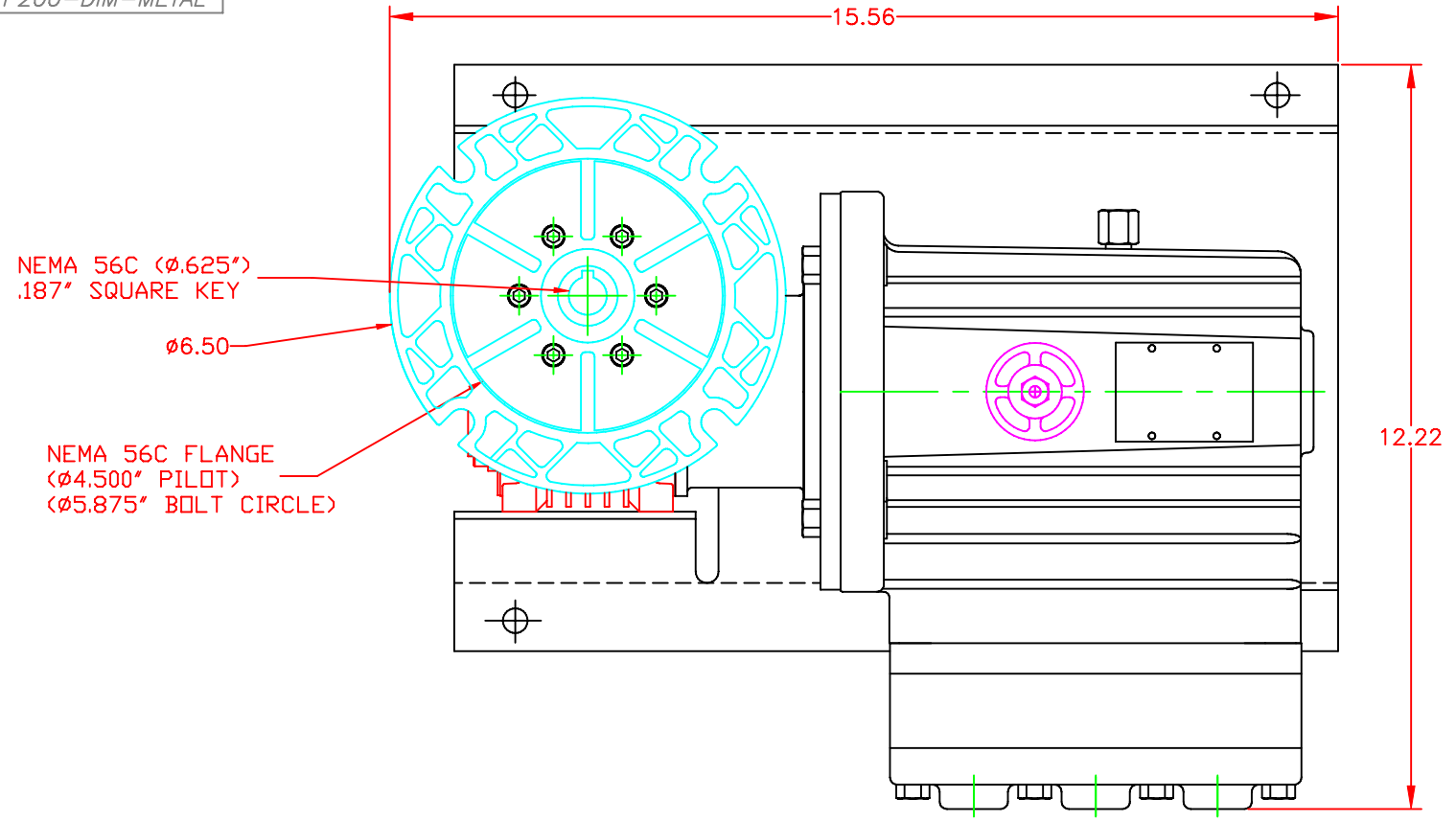
1. WORM GEAR REDUCER AVAILABLE IN THE FOLLOWING RATIOS: 5:1, 7.5:1, 10:1, 15:1, 20:1, 25:1, 30:1, 40:1, 50:1, 60:1, 80:1, 100:1.

2. WEIGHT = 16.4 LBS (7.44 KG) (NO MOTOR)

UNLESS OTHERWISE SPECIFIED		TOL UNLESS NOTED		MAT'L PUMPING HEAD AVAILABLE IN POLYPROPYLENE OR KYNAR	
- ALL DIMENSIONS ARE IN INCHES.	.X = ± .020	DWN	06-07-05	JJH	WANNER ENGINEERING INC 1204 CHESTNUT AVE. MPLS, MN 55403
- DRAWING MAY NOT BE TO SCALE	.XX = ± .010	CHK'D			
- ALL DIMENSIONS APPLY AFTER PLATING, COATING AND HEAT TREATING, BUT BEFORE PAINTING.	.XXX = ± .005	APP'D			TITLE
- REMOVE ALL BURRS, BREAK ALL SHARP EDGES AND CORNERS	ANGLES = ± .50°	USED ON	X	X	DIMENSIONAL DWG, P100
	FINISH: 125 RMS	NEXT ASSY	X	X	DWG NO
		SHEET	1	1	P100-DIM-PLAST
		SCALE	1:1	FORM	DBLK
					SIZE
					D
					REV.
					A

PROPRIETARY STATEMENT
This document contains confidential and proprietary information and is not to be reproduced or the information contained therein disclosed to others without consent, in writing, from WANNER ENGINEERING INC.

REV.	DESCRIPTION	DATE	ECO	DWN
A	NEW RELEASE	06-10-05	E150	JJH



NOTES:

1. WORM GEAR REDUCER AVAILABLE IN THE FOLLOWING RATIOS: 5:1, 7.5:1, 10:1, 15:1, 20:1, 25:1, 30:1, 40:1, 50:1, 60:1, 80:1, 100:1.

2. WEIGHT = 39 LBS (17.7 KG)
(NO MOTOR)

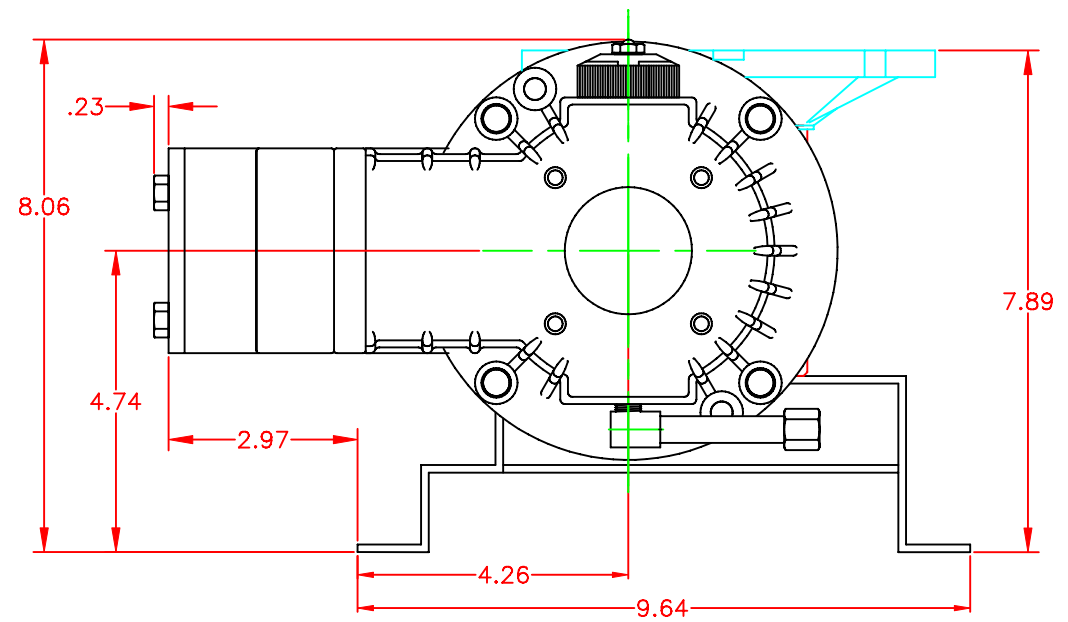
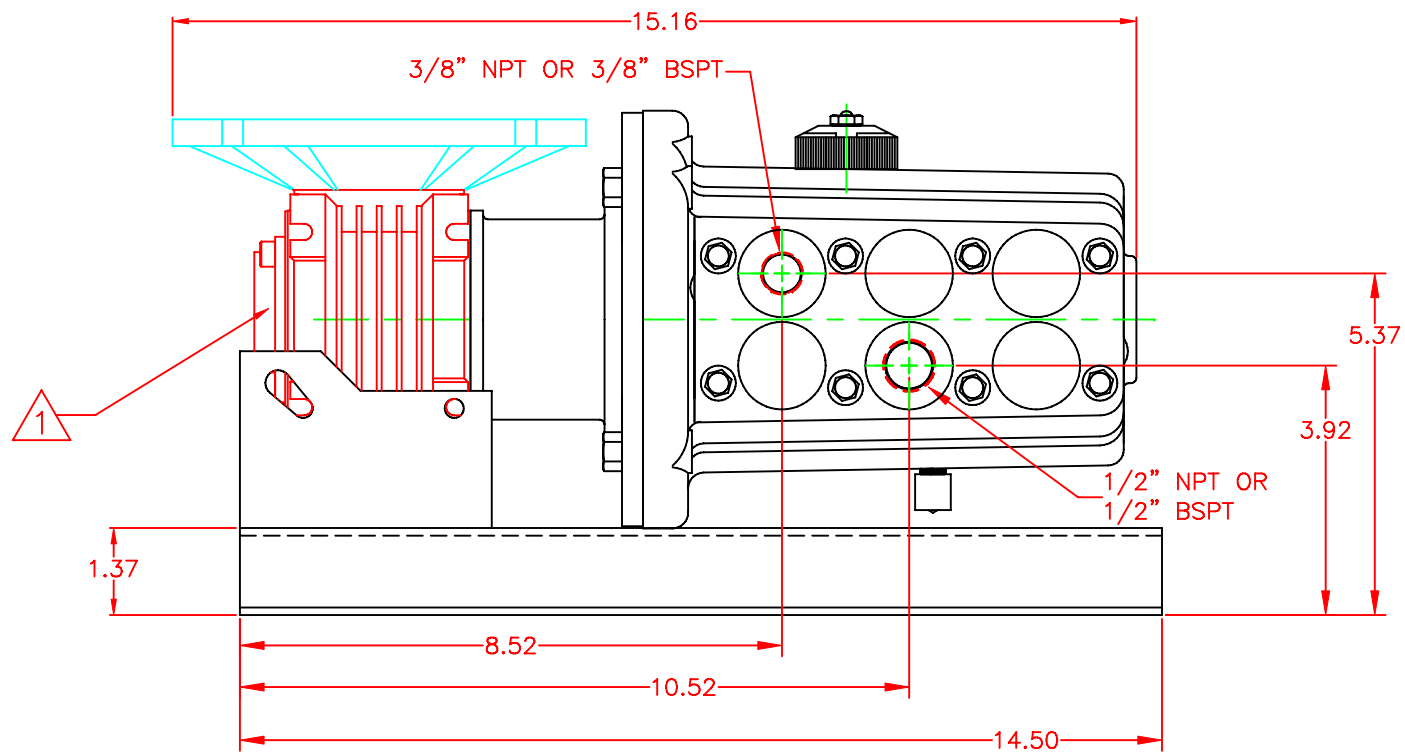
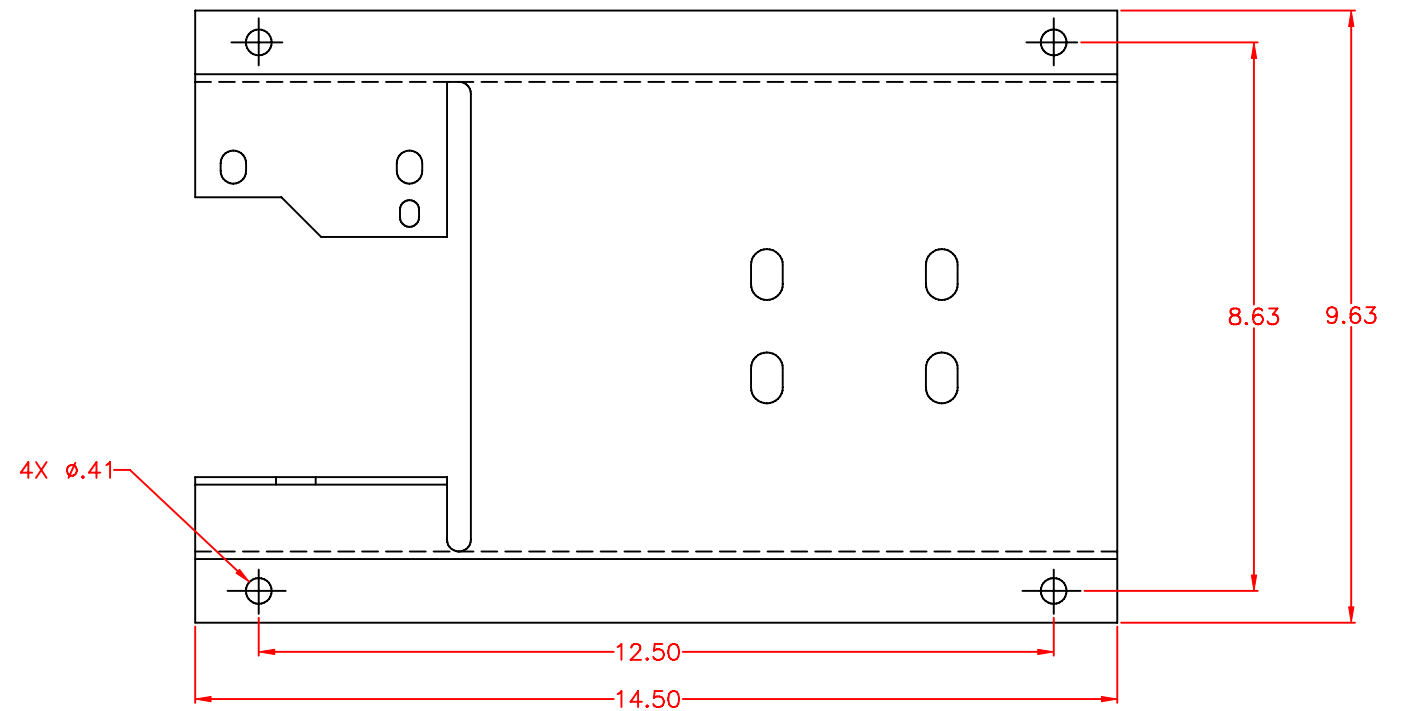
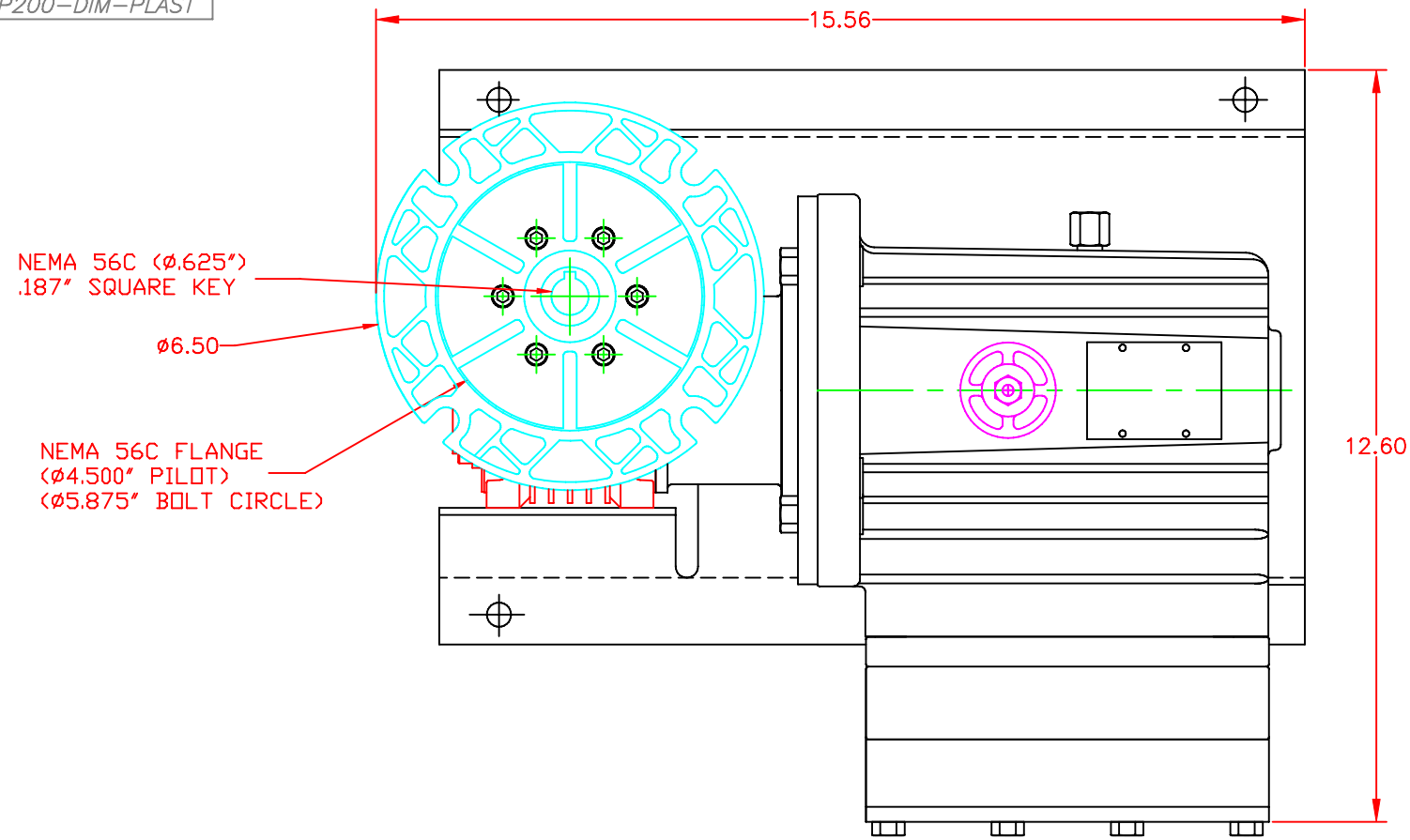
UNLESS OTHERWISE SPECIFIED
- ALL DIMENSIONS ARE IN INCHES.
- DRAWING MAY NOT BE TO SCALE
- ALL DIMENSIONS APPLY AFTER PLATING, COATING AND HEAT TREATING, BUT BEFORE PAINTING.
- REMOVE ALL BURRS, BREAK ALL SHARP EDGES AND CORNERS

PROPRIETARY STATEMENT
This document contains confidential and proprietary information and is not to be reproduced or the information contained therein disclosed to others without consent, in writing, from WANNER ENGINEERING INC.

TOL UNLESS NOTED
.XX = ± .010
.XXX = ± .005
ANGLES = ± .50°
FINISH: 125 RMS

MAT'L	PUMPING HEAD AVAILABLE IN 316 SST OR HASTELLOY C		
DWN	06-10-05	JJH	WANNER ENGINEERING INC 1204 CHESTNUT AVE. MPLS, MN 55403
CHK'D			TITLE DIMENSIONAL DRG, P200
APP'D			SIZE B
USED ON			DWG NO P200-DIM-METAL
NEXT ASSY			REV. A
SHEET	1 OF 1		
SCALE	1:3	FORM	BBLK

REV.	DESCRIPTION	DATE	ECO	DWN
A	NEW RELEASE	06-10-05	E150	JJH



NOTES:

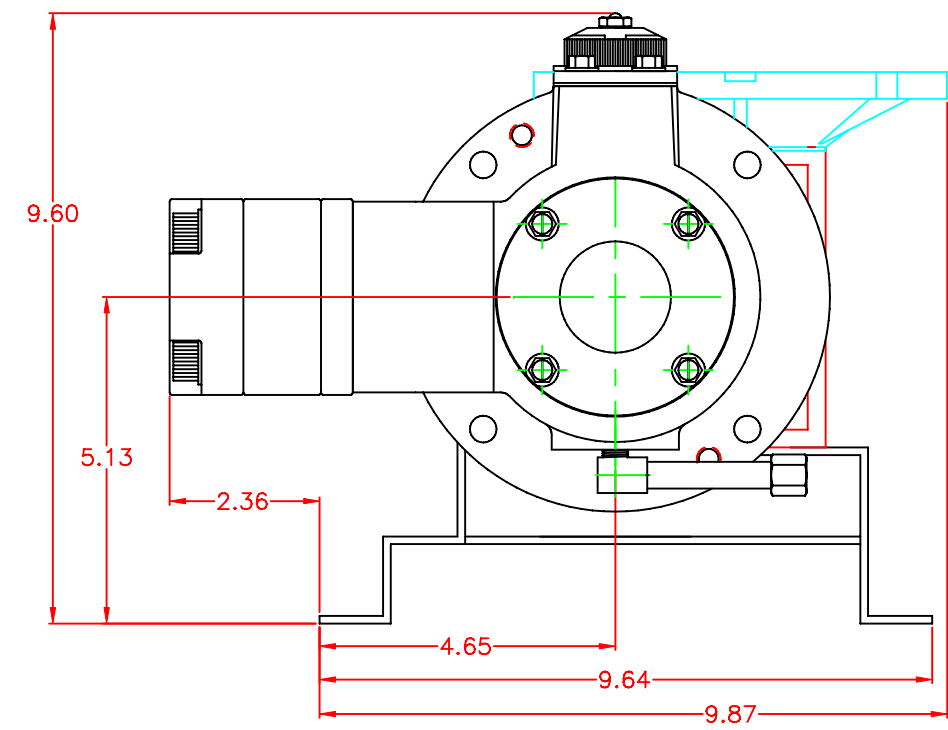
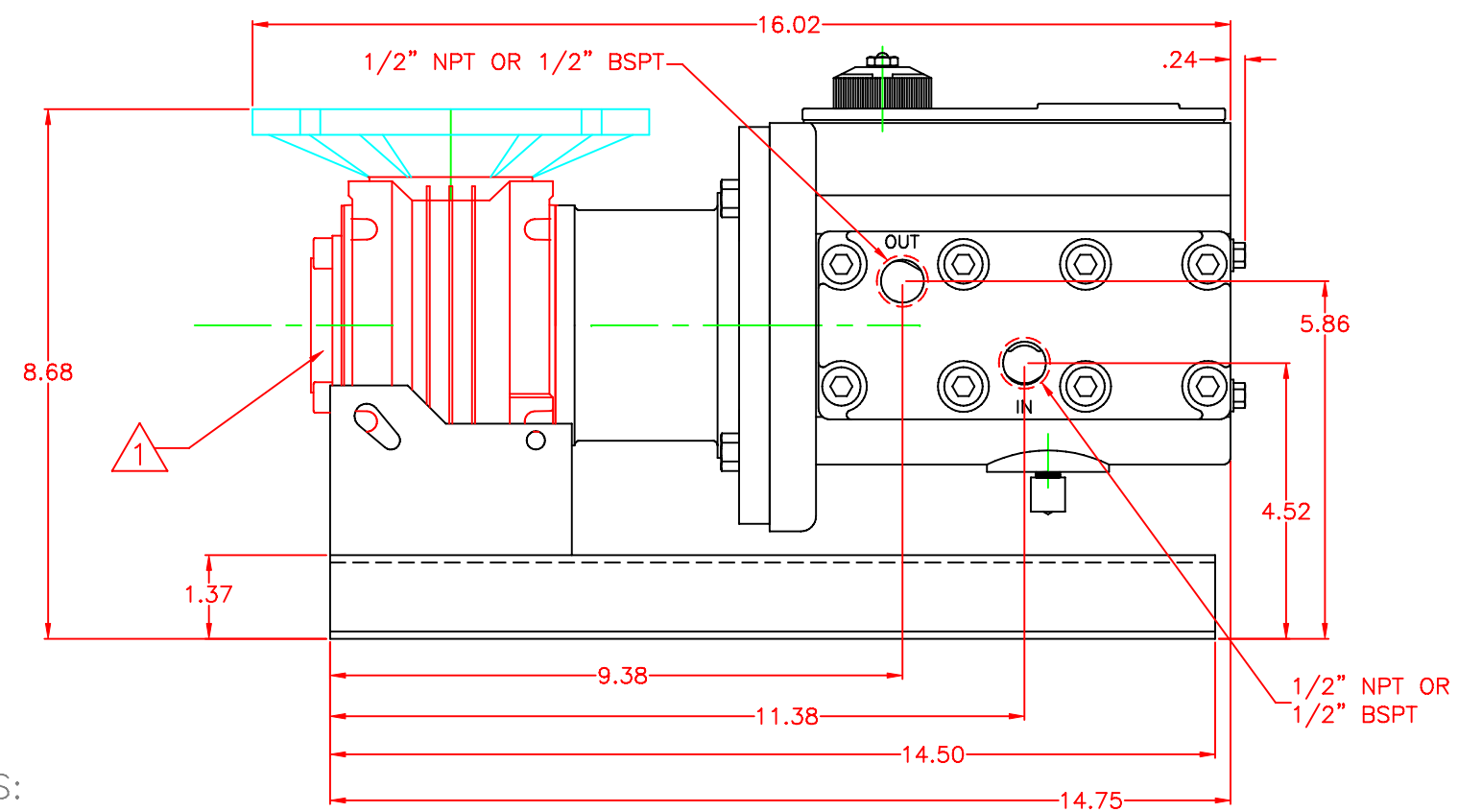
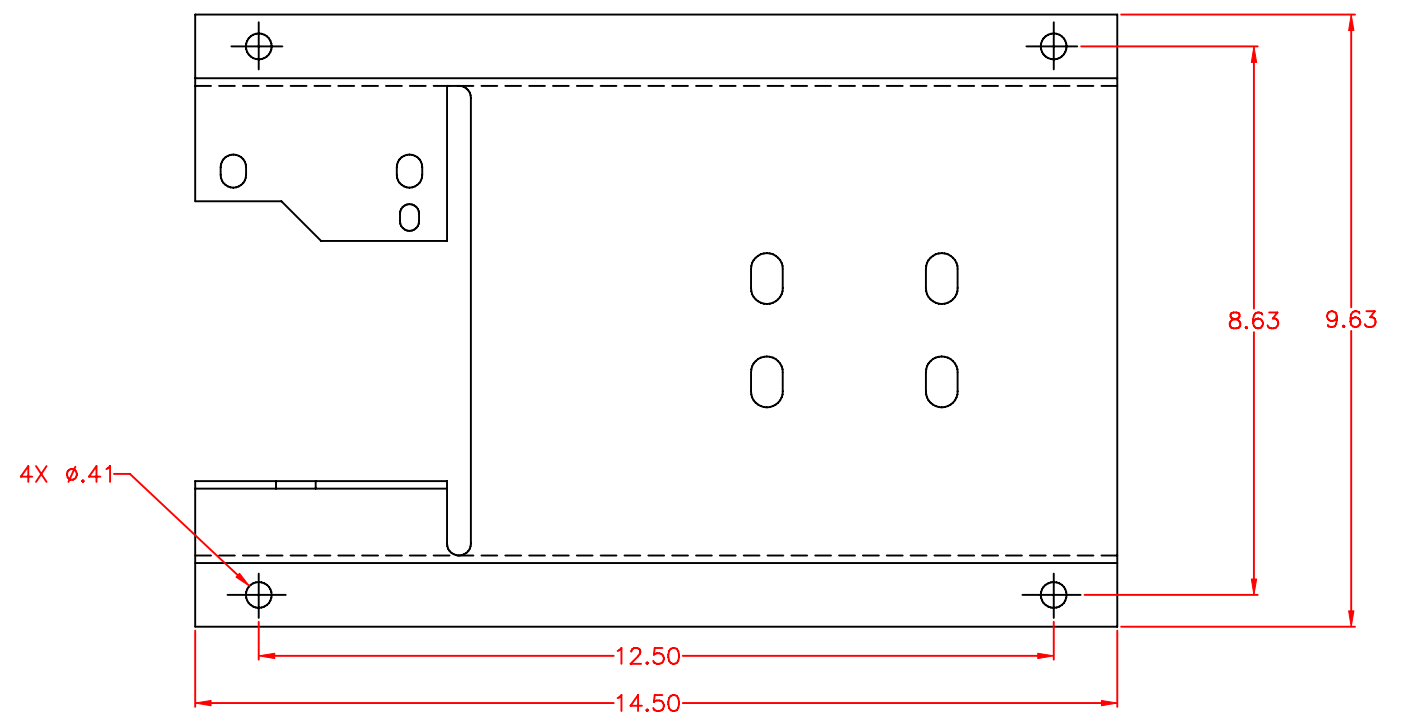
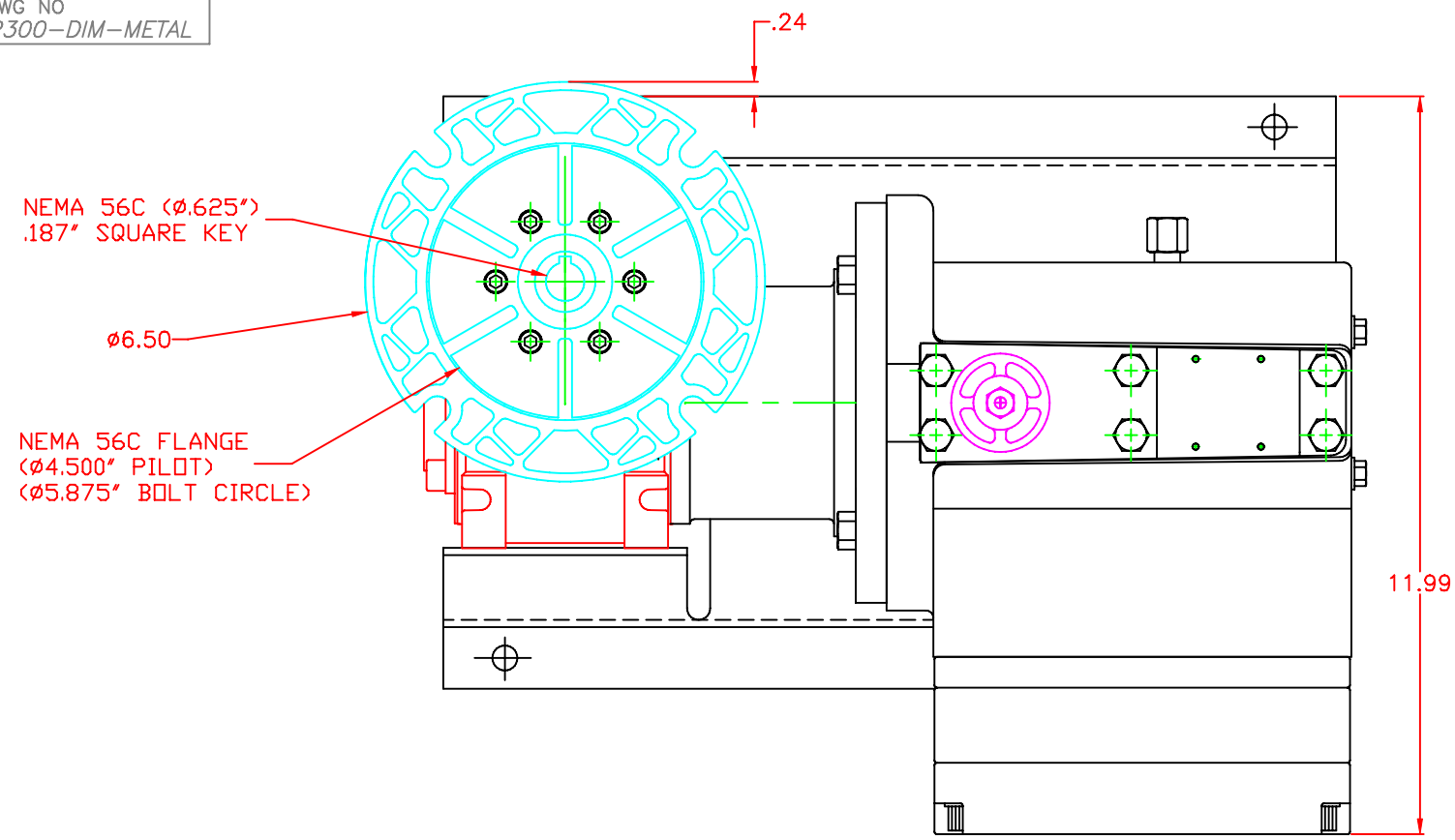
- WORM GEAR REDUCER AVAILABLE IN THE FOLLOWING RATIOS: 5:1, 7.5:1, 10:1, 15:1, 20:1, 25:1, 30:1, 40:1, 50:1, 60:1, 80:1, 100:1.
- WEIGHT = 30 LBS (13.6 KG)
(NO MOTOR)

UNLESS OTHERWISE SPECIFIED
 - ALL DIMENSIONS ARE IN INCHES.
 - DRAWING MAY NOT BE TO SCALE
 - ALL DIMENSIONS APPLY AFTER PLATING, COATING AND HEAT TREATING, BUT BEFORE PAINTING.
 - REMOVE ALL BURRS, BREAK ALL SHARP EDGES AND CORNERS

PROPRIETARY STATEMENT
 This document contains confidential and proprietary information and is not to be reproduced or the information contained therein disclosed to others without consent, in writing, from WANNER ENGINEERING INC.

MAT'L	PUMPING HEAD AVAILABLE IN POLYPROPYLENE OR KYNAR			
TOL UNLESS NOTED	DWN	06-10-05	JJH	WANNER ENGINEERING INC 1204 CHESTNUT AVE. MPLS, MN 55403
.XX = ± .010 .XXX = ± .005 ANGLES = ± .50°	CHK'D			
FINISH: 125 RMS	APP'D			TITLE DIMENSIONAL DRG, P200
△	USED ON			DWG NO P200-DIM-PLAST
	NEXT ASSY			SIZE B
	SHEET 1 OF 1			REV. A
	SCALE 1:3		FORM BBLK	

REV.	DESCRIPTION	DATE	ECO	DWN
A	NEW RELEASE	06-10-05	E150	JJH



NOTES:

- WORM GEAR REDUCER AVAILABLE IN THE FOLLOWING RATIOS: 5:1, 7.5:1, 10:1, 15:1, 20:1, 25:1, 30:1, 40:1, 50:1, 60:1, 80:1, 100:1.
- WEIGHT = 51 LBS (23.1 KG)
(NO MOTOR)

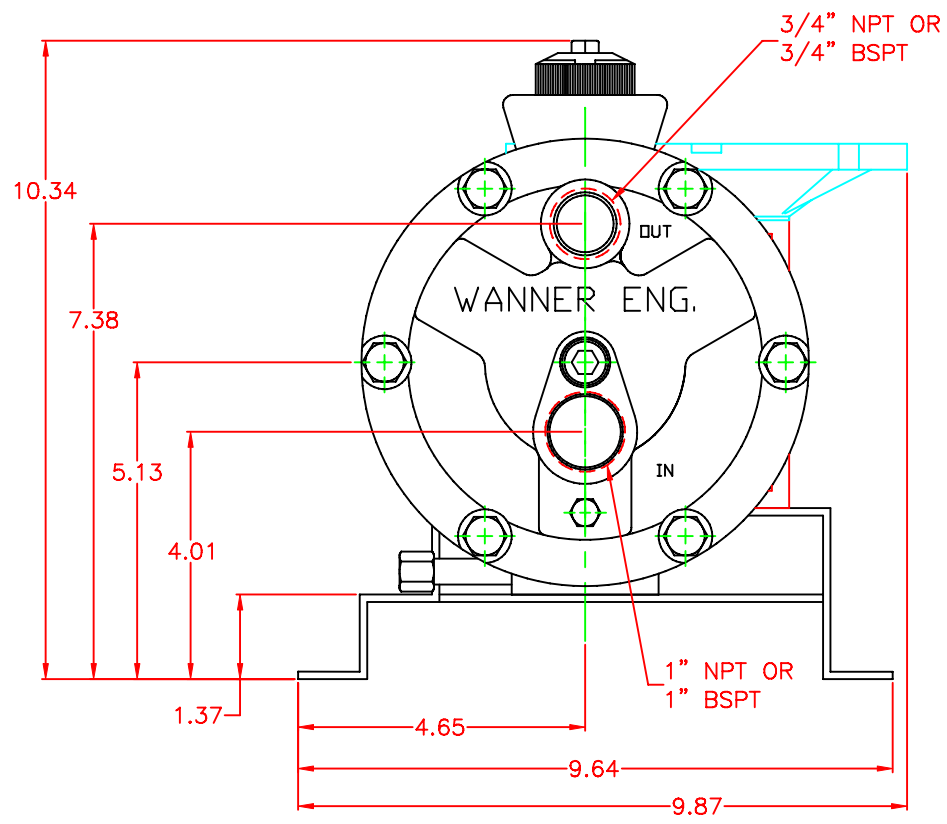
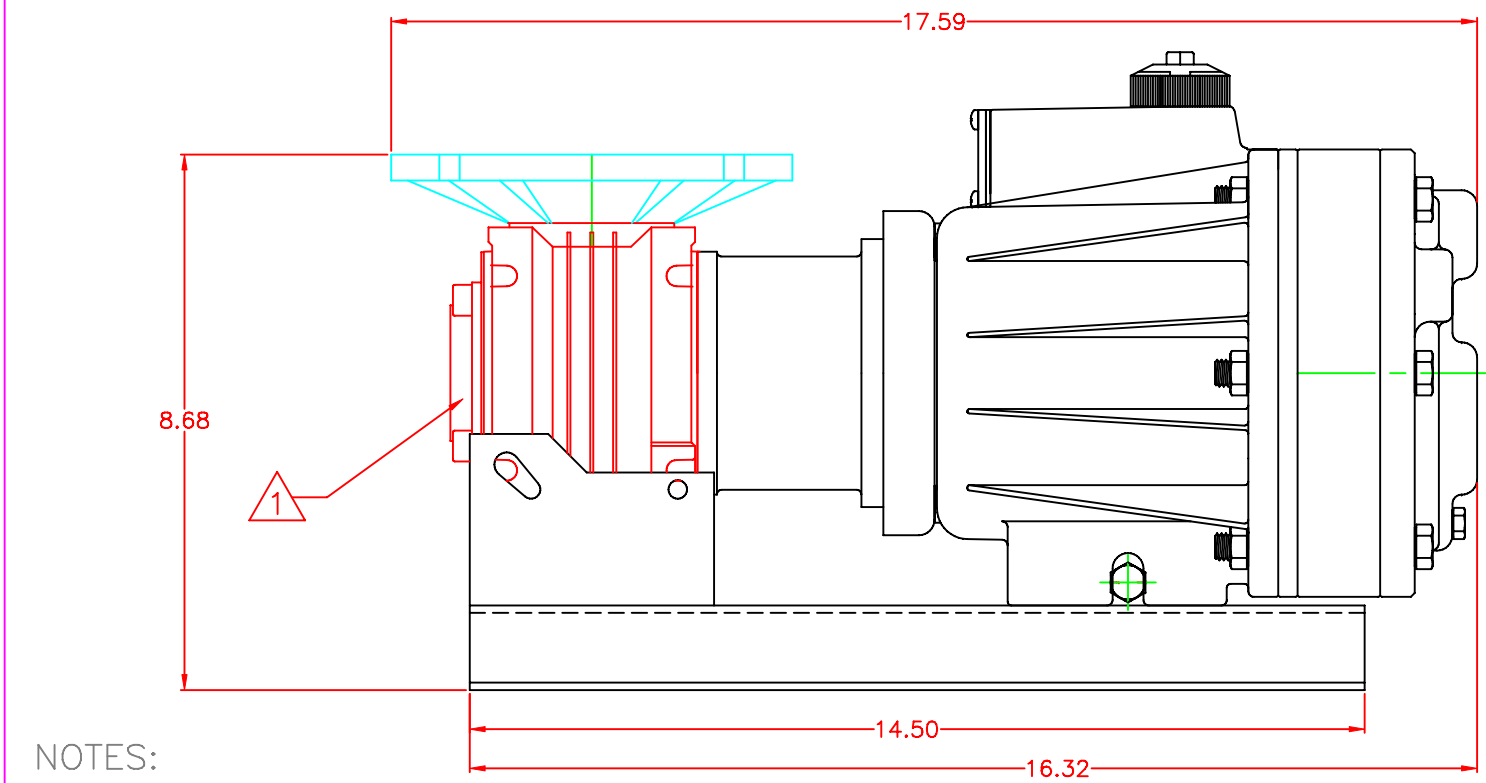
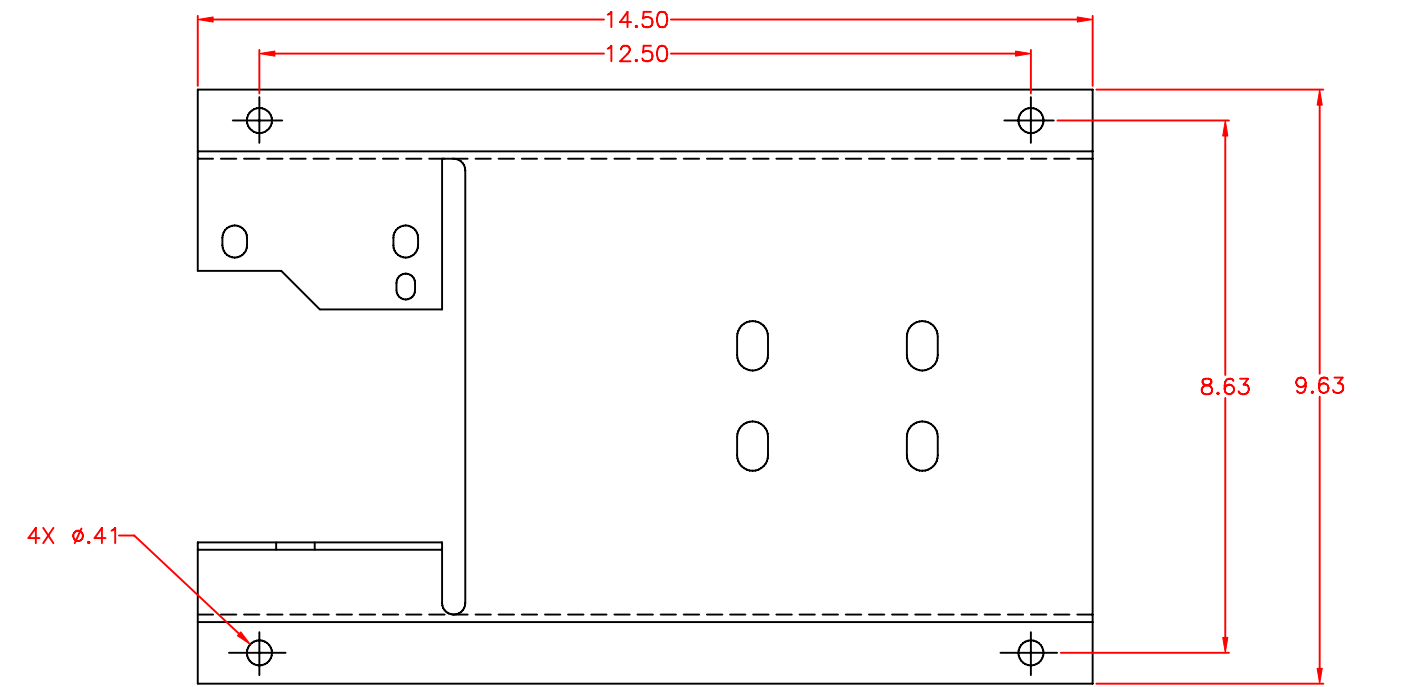
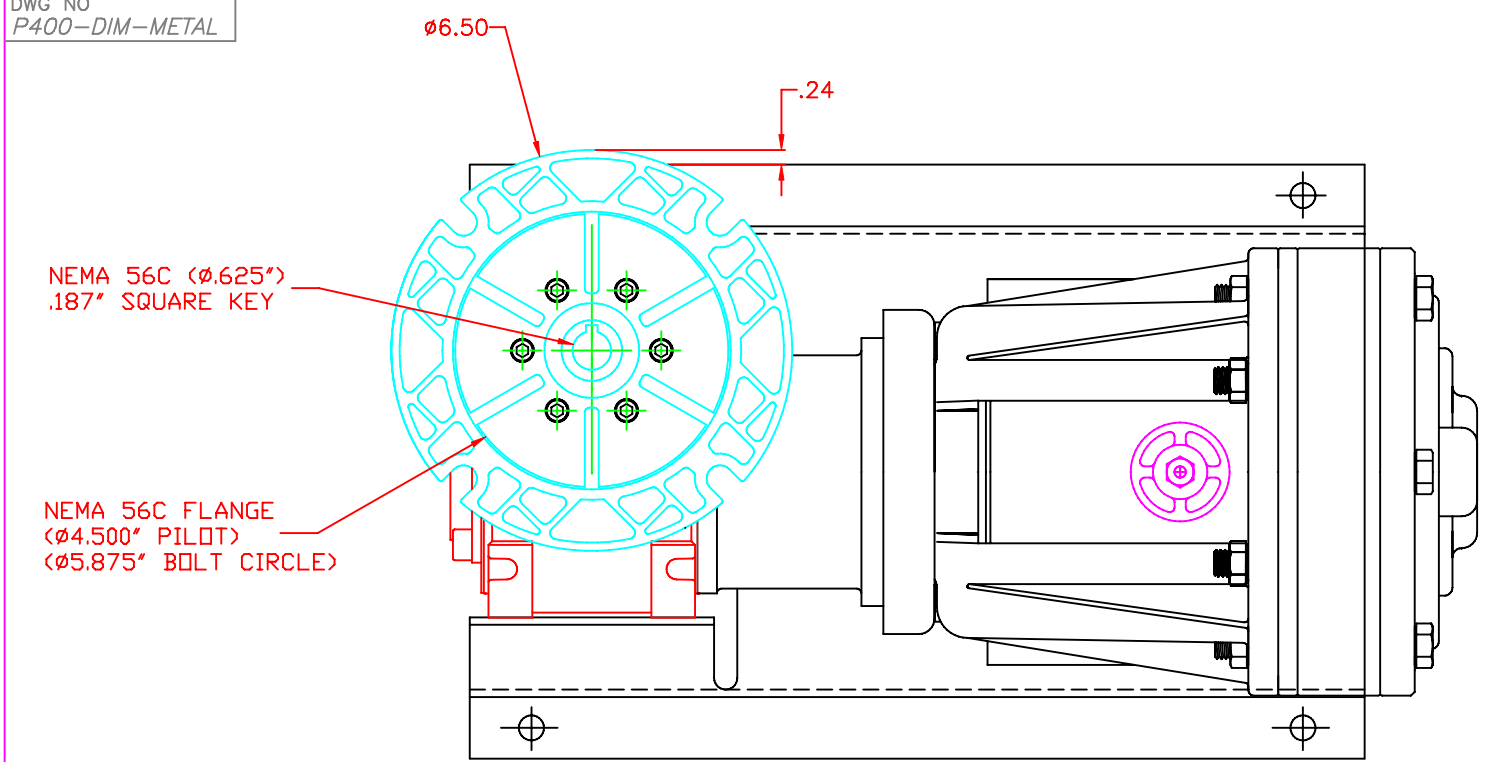
UNLESS OTHERWISE SPECIFIED
 - ALL DIMENSIONS ARE IN INCHES.
 - DRAWING MAY NOT BE TO SCALE
 - ALL DIMENSIONS APPLY AFTER PLATING, COATING AND HEAT TREATING, BUT BEFORE PAINTING.
 - REMOVE ALL BURRS, BREAK ALL SHARP EDGES AND CORNERS

PROPRIETARY STATEMENT
 This document contains confidential and proprietary information and is not to be reproduced or the information contained therein disclosed to others without consent, in writing, from WANNER ENGINEERING INC.

MAT'L		PUMPING HEAD AVAILABLE IN 316 SST OR HASTELLOY C		
TOL UNLESS NOTED	DWN	06-10-05	JJH	WANNER ENGINEERING INC 1204 CHESTNUT AVE. MPLS, MN 55403
.XX = ± .010 .XXX = ± .005 ANGLES = ± .50°	CHK'D			
FINISH: 125 RMS	APP'D			TITLE DIMENSIONAL DRG, P300
△	USED ON			SIZE B
	NEXT ASSY			DWG NO P300-DIM-METAL
	SHEET 1 OF 1			REV. A
	SCALE 1:3		FORM BBLK	

DWG NO
P400-DIM-METAL

REV.	DESCRIPTION	DATE	ECO	DWN
A	NEW RELEASE	06-09-05	E150	JJH



NOTES:

$\triangle 1$. WORM GEAR REDUCER AVAILABLE IN THE FOLLOWING RATIOS: 5:1, 7.5:1, 10:1, 15:1, 20:1, 25:1, 30:1, 40:1, 50:1, 60:1, 80:1, 100:1.

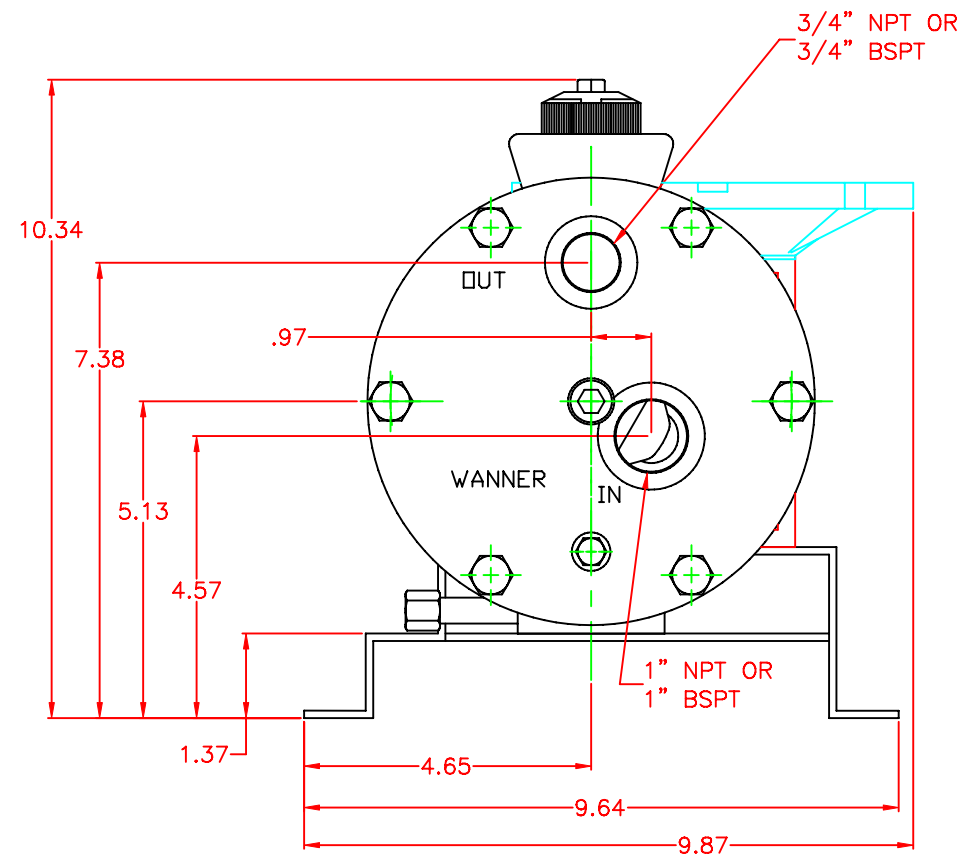
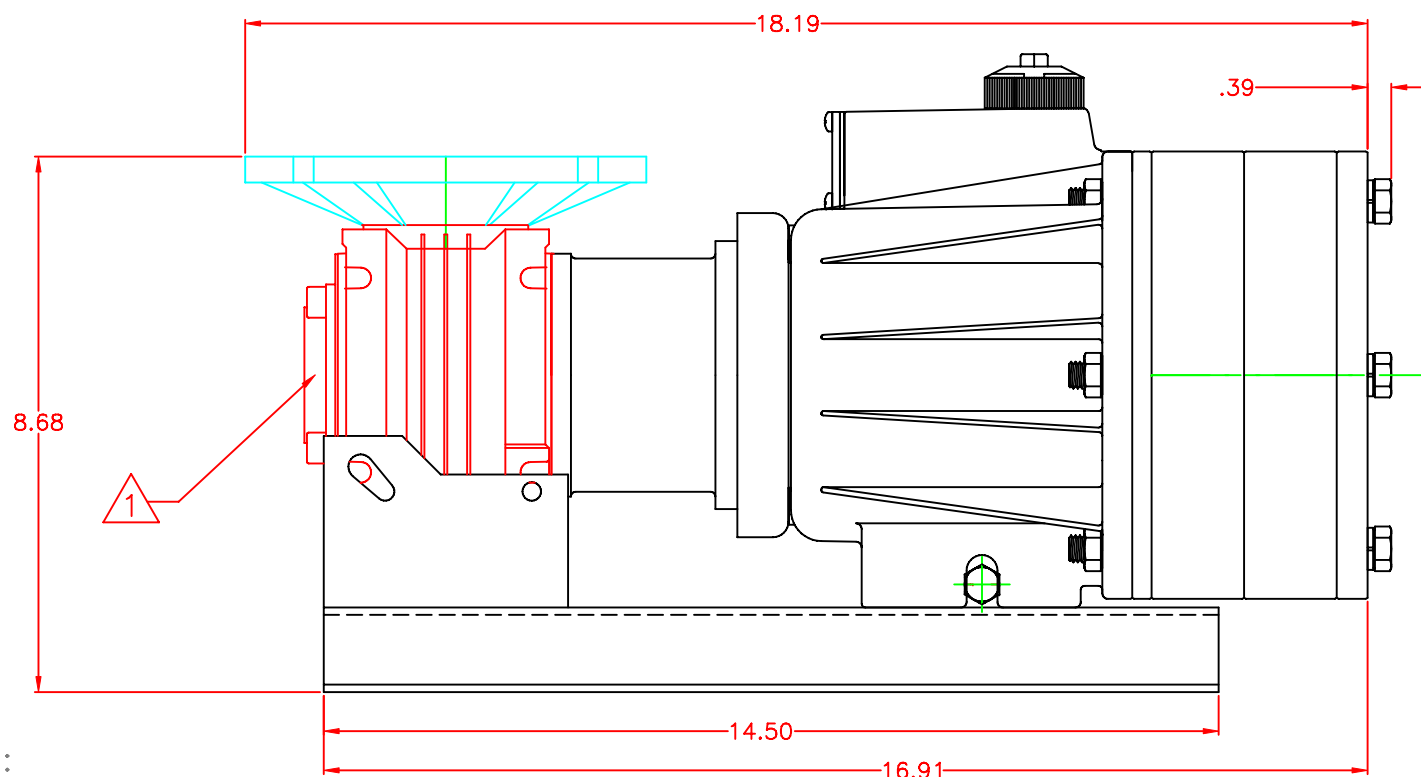
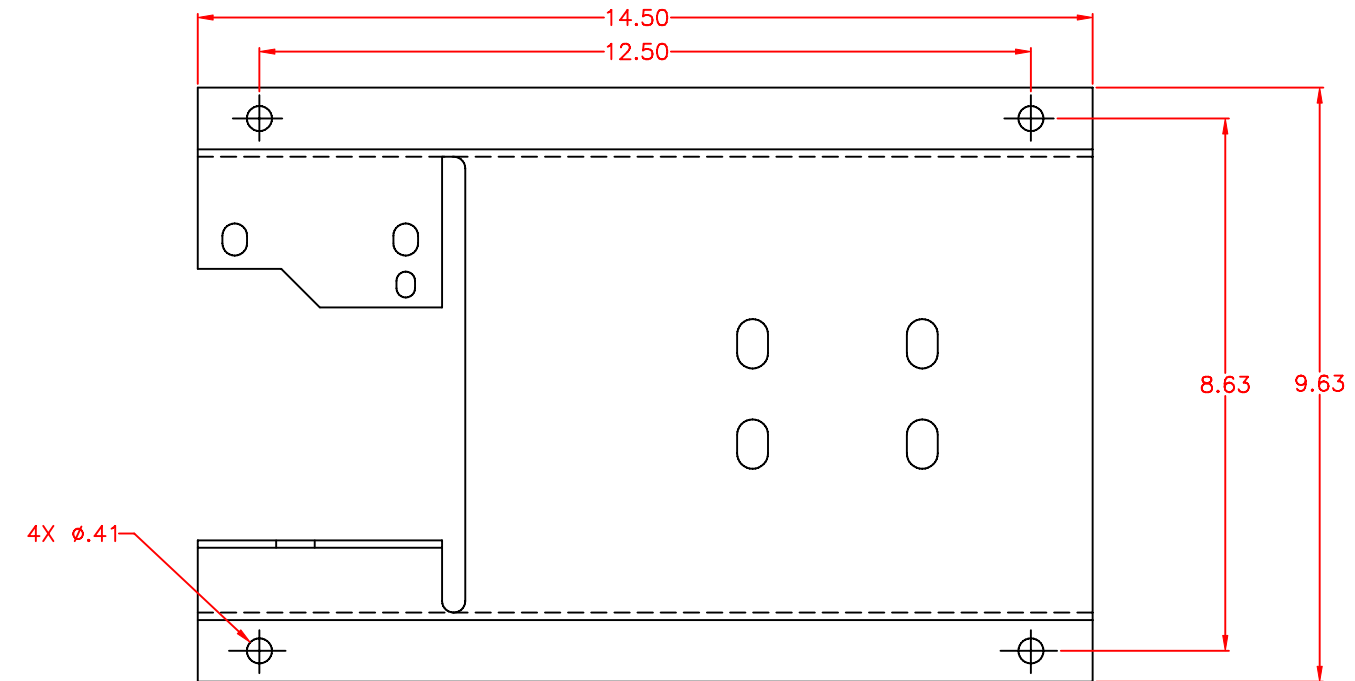
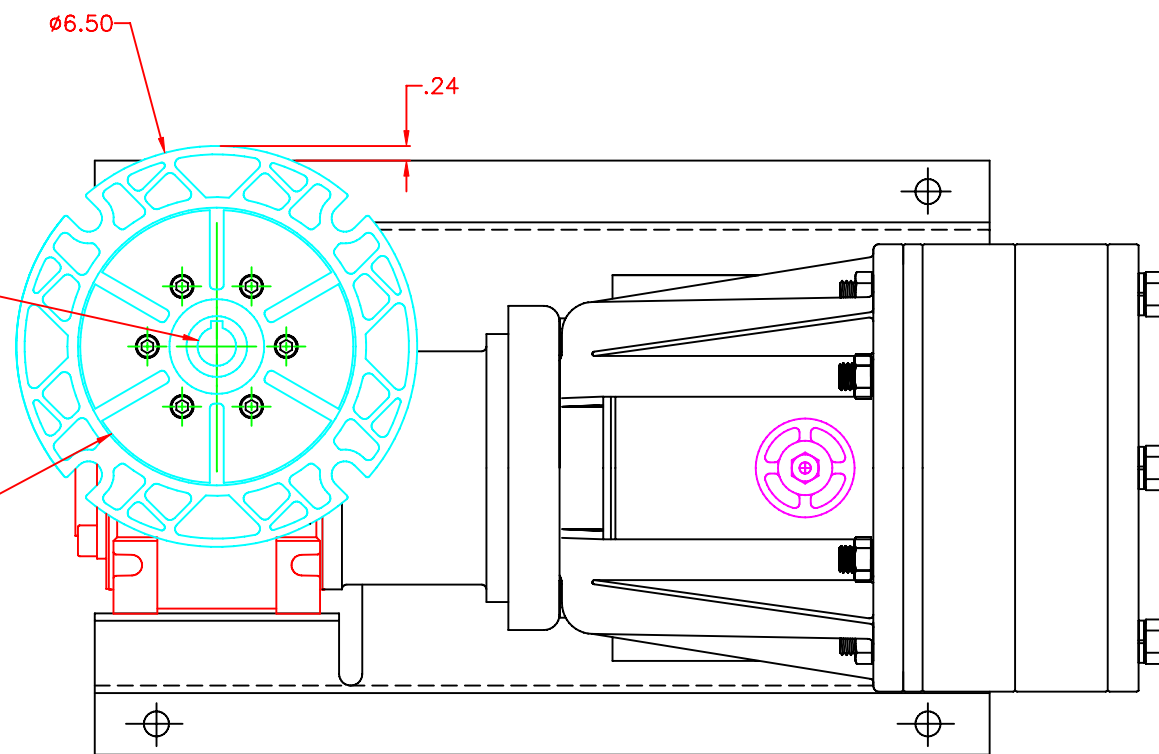
2. WEIGHT = 62 LBS (28.1 KG)
(NO MOTOR)

UNLESS OTHERWISE SPECIFIED
 - ALL DIMENSIONS ARE IN INCHES.
 - DRAWING MAY NOT BE TO SCALE
 - ALL DIMENSIONS APPLY AFTER PLATING, COATING AND HEAT TREATING, BUT BEFORE PAINTING.
 - REMOVE ALL BURRS, BREAK ALL SHARP EDGES AND CORNERS

PROPRIETARY STATEMENT
 This document contains confidential and proprietary information and is not to be reproduced or the information contained therein disclosed to others without consent, in writing, from WANNER ENGINEERING INC.

MAT'L	PUMPING HEAD AVAILABLE IN 316 SST OR HASTELLOY C				WANNER ENGINEERING INC 1204 CHESTNUT AVE. MPLS, MN 55403	TITLE DIMENSIONAL DRG, P400	SIZE B
TOL UNLESS NOTED	DWN	06-09-05	JJH	DWG NO P400-DIM-METAL			REV. A
.XX = $\pm .010$	CHK'D			USED ON			
.XXX = $\pm .005$	APP'D			NEXT ASSY			
ANGLES = $\pm .50^\circ$	FINISH: 125 RMS			SHEET 1 OF 1			
	\triangle			SCALE 1:3	FORM BBLK		

REV.	DESCRIPTION	DATE	ECO	DWN
A	NEW RELEASE	04-18-05	E150	JJH



NOTES:

1. WORM GEAR REDUCER AVAILABLE IN THE FOLLOWING RATIOS: 5:1, 7.5:1, 10:1, 15:1, 20:1, 25:1, 30:1, 40:1, 50:1, 60:1, 80:1, 100:1.

2. WEIGHT = 49 LBS (22.2 KG)
(NO MOTOR)

UNLESS OTHERWISE SPECIFIED
 - ALL DIMENSIONS ARE IN INCHES.
 - DRAWING MAY NOT BE TO SCALE
 - ALL DIMENSIONS APPLY AFTER PLATING, COATING AND HEAT TREATING, BUT BEFORE PAINTING.
 - REMOVE ALL BURRS, BREAK ALL SHARP EDGES AND CORNERS

PROPRIETARY STATEMENT
 This document contains confidential and proprietary information and is not to be reproduced or the information contained therein disclosed to others without consent, in writing, from WANNER ENGINEERING INC.

MAT'L	PUMPING HEAD AVAILABLE IN POLYPROPYLENE OR KYNAR			
TOL UNLESS NOTED	DWN	04-18-05	JJH	WANNER ENGINEERING INC 1204 CHESTNUT AVE. MPLS, MN 55403
.XX = ± .010 .XXX = ± .005 ANGLES = ± .50°	CHK'D			
FINISH: 125 RMS △	APP'D			TITLE DIMENSIONAL DRG, P400
	USED ON			DWG NO
	NEXT ASSY			P400-DIM-PLAST
	SHEET	1 OF 1		SCALE 1:3
	FORM	BBLK		SIZE B REV. A