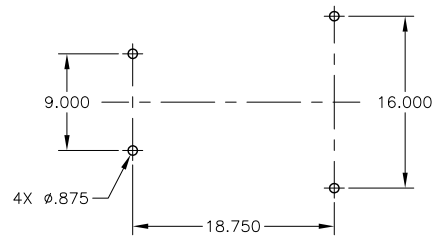
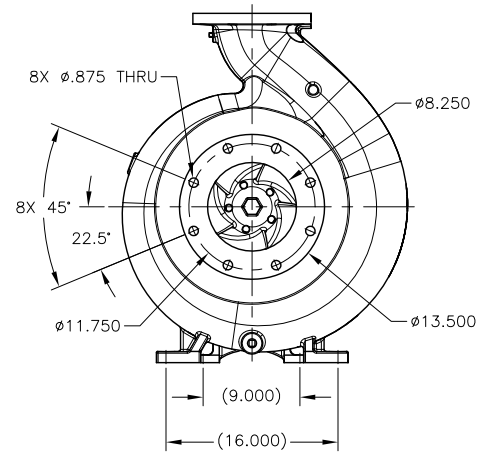
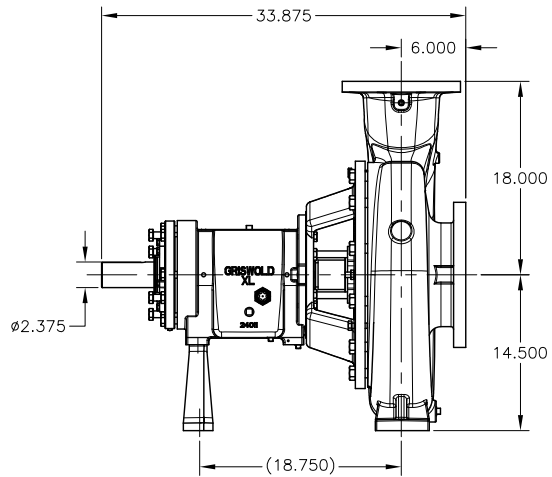
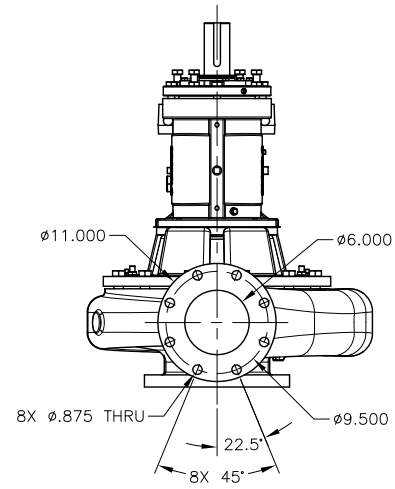


CAD generated and maintained drawing. All printed and electronic copies outside of Griswold's engineering database are "Uncontrolled" and shall be used for reference only.

REV.	DESCRIPTION	BY	APP.	DATE
A	8 X 6 - 17 A110 ANSI ASSEMBLY	M.H.		

NOTES: UNLESS OTHERWISE SPECIFIED

1. DIMENSIONS AND TOLERANCES PER ANSI Y14.5M-1982.
2. \* INDICATES DIMENSIONS AND/OR FEATURES MODIFIED ON CURRENT REVISION LEVEL.
- \*3. THIS PUMP MAY HAVE TAPPED BOLT HOLES IN THE SUCTION FLANGE PER ANSI'S ALLOWANCE.



DO NOT SCALE DRAWING  
UNLESS OTHERWISE SPECIFIED  
DIMENSIONS ARE IN INCHES  
TOLERANCES ARE:  
FRACTIONS ± -  
DECIMALS .XX ± -  
.XXX ± -  
ANGLES ± -  
SCALE 1/1 SHEET 1 OF 1

**GRISWOLD**

GRISWOLD PUMP COMPANY  
170 8th Street Drive  
Thomasville, GA 31792  
PHONE: (800) 843-9222, FAX: (800) 752-2928

TITLE ASSEMBLY, 8 X 6-17 A110 ANSI

DRAWN BY M. HIATT	DATE 08/15/11	ASSY. NO.
CHECKED BY	DATE	DRAWING NO.
APPROVED BY	DATE	8617A110 A

THIS DOCUMENT AND ITS CONTENTS ARE PROPRIETARY TO WILSON PUMP AND ENGINEERING CO. ANY REPRODUCTION, DISCLOSURE OR USE OF THIS DOCUMENT IS EXPRESSLY PROHIBITED EXCEPT AS OTHERWISE AGREED TO IN WRITING.