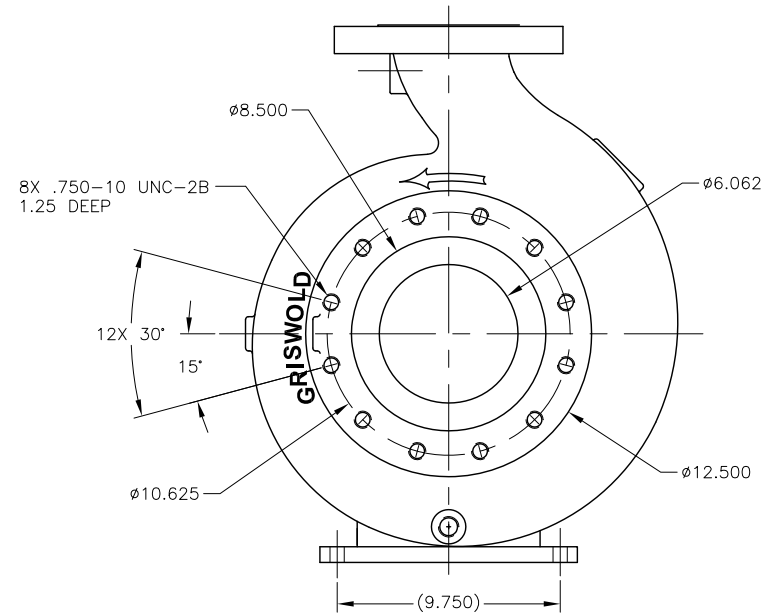
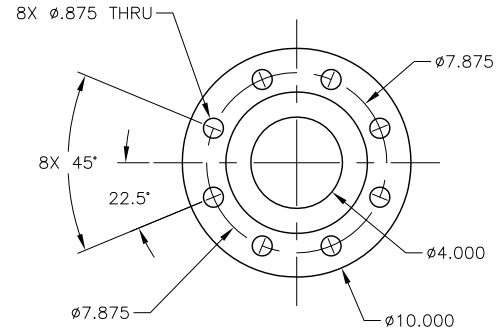
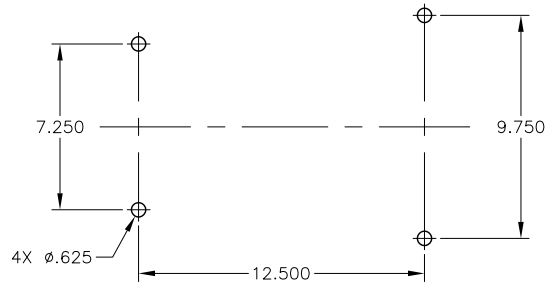
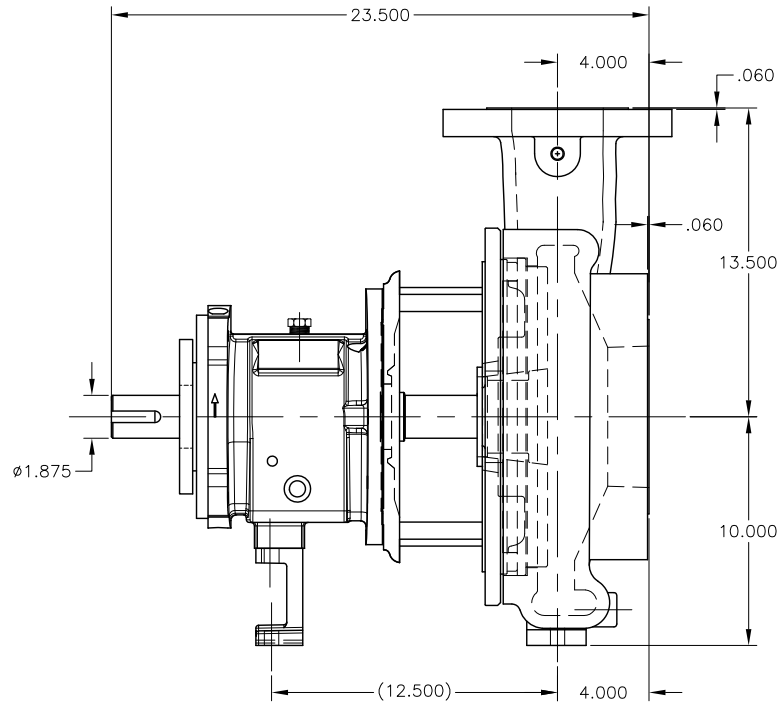


REV.	DESCRIPTION	BY	APP.	DATE
A	6 X 4 - 13 A80 ANSI ASSEMBLY	M.H.		

NOTES: UNLESS OTHERWISE SPECIFIED

1. DIMENSIONS AND TOLERANCES PER ANSI Y14.5M-1982.
2. * INDICATES DIMENSIONS AND/OR FEATURES MODIFIED ON CURRENT REVISION LEVEL.



DO NOT SCALE DRAWING		GRISWOLD		GRISWOLD PUMP COMPANY	
UNLESS OTHERWISE SPECIFIED		22000 VAN BUREN ST.		GRAND TERRACE, CA 92313	
DIMENSIONS ARE IN INCHES		PHONE: (800) 843-9222, FAX: (800) 752-2929		TITLE	
TOLERANCES ARE:		ASSEMBLY, 6 X 4 - 13 A80 ANSI			
FRACTIONS	± -	300# RAISED FACE FLANGES			
DECIMALS .XX	± -	DRAWN BY M. HIATT		DATE 04/22/10	ASSY. NO.
.XXX	± -	CHECKED BY		DATE	DRAWING NO.
ANGLES	± -	APPROVED BY		DATE	6413A80
SCALE 1/1	SHEET 1 OF 1			REV.	A

THIS DOCUMENT AND ITS CONTENTS ARE PROPRIETARY TO WILDEN PUMP AND ENGINEERING CO. ANY REPRODUCTION, DISCLOSURE OR USE OF THIS DOCUMENT IS EXPRESSLY PROHIBITED EXCEPT AS OTHERWISE AGREED TO IN WRITING.