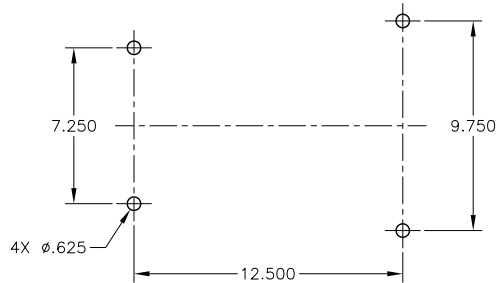
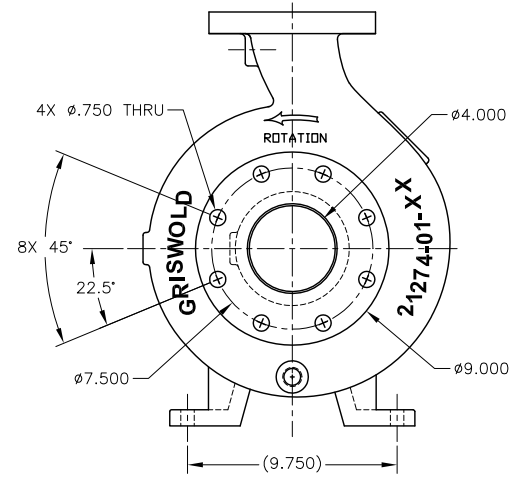
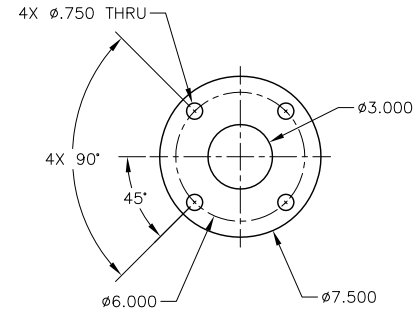
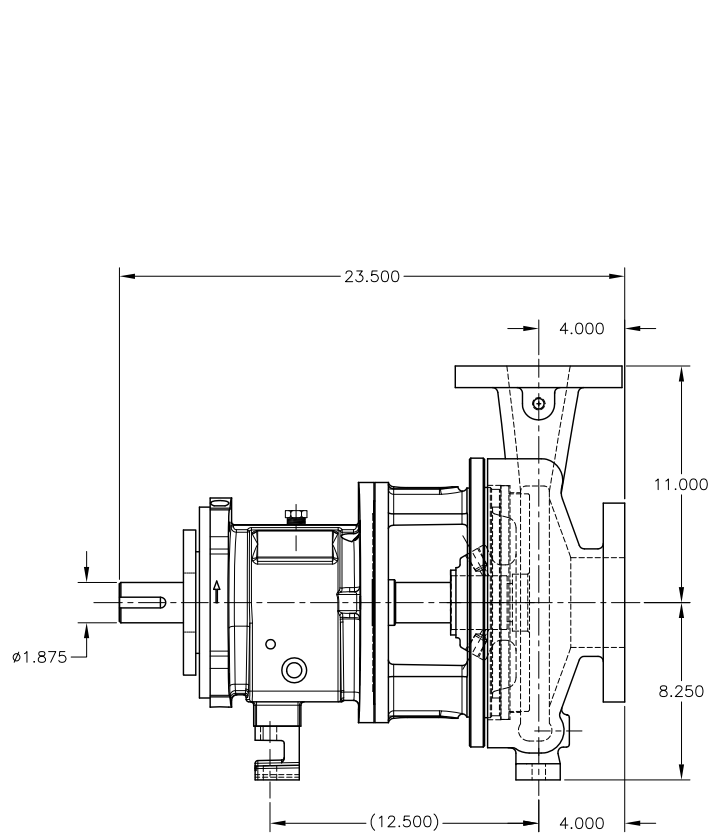


REV.	DESCRIPTION	BY	APP.	DATE
A	ASSEMBLY, 4 X 3-10 A70 ANSI	M.H.		

NOTES: UNLESS OTHERWISE SPECIFIED

1. DIMENSIONS AND TOLERANCES PER ANSI Y14.5M-1982.
2. * INDICATES DIMENSIONS AND/OR FEATURES MODIFIED ON CURRENT REVISION LEVEL.



THIS DOCUMENT AND ITS CONTENTS ARE PROPRIETARY TO WILSON PUMP AND ENGINEERING CO. ANY REPRODUCTION, DISCLOSURE OR USE OF THIS DOCUMENT IS EXPRESSLY PROHIBITED EXCEPT AS OTHERWISE AGREED TO IN WRITING.

DO NOT SCALE DRAWING	
UNLESS OTHERWISE SPECIFIED DIMENSIONS ARE IN INCHES	
TOLERANCES ARE:	
FRACTIONS	± -
DECIMALS .XX	± -
.XXX	± -
ANGLES	± -
SCALE 1/1	SHEET 1 OF 1



GRISWOLD PUMP COMPANY
 22080 VAN BUREN ST.
 GRAND TERRACE, CA 92513
 PHONE: (800) 843-2223, FAX: (800) 752-2928

TITLE		ASSEMBLY, 4 X 3 - 10 A70 ANSI LARGE SHAFT	
DRAWN BY	M. HIATT	DATE	05/03/10
CHECKED BY		DATE	
APPROVED BY		DATE	
DRAWING NO.		4310A70	
REV.		A	