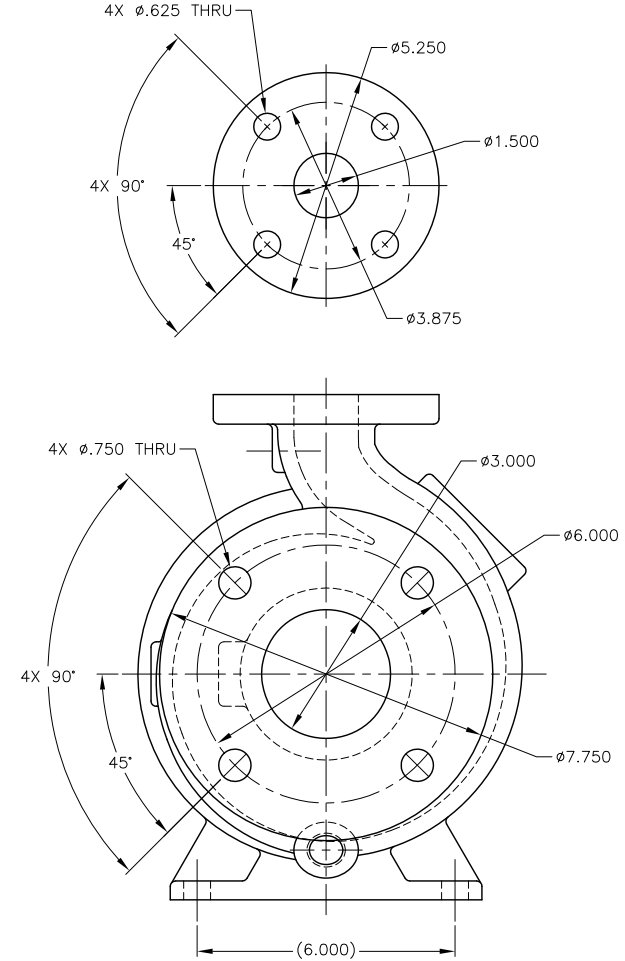
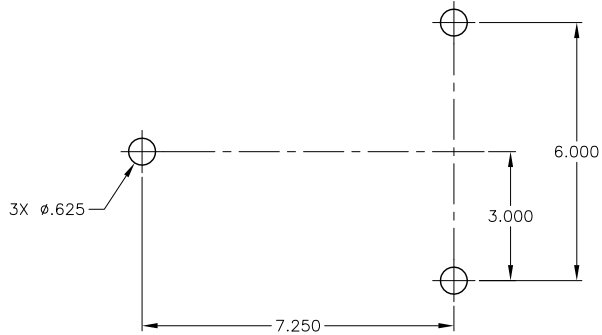
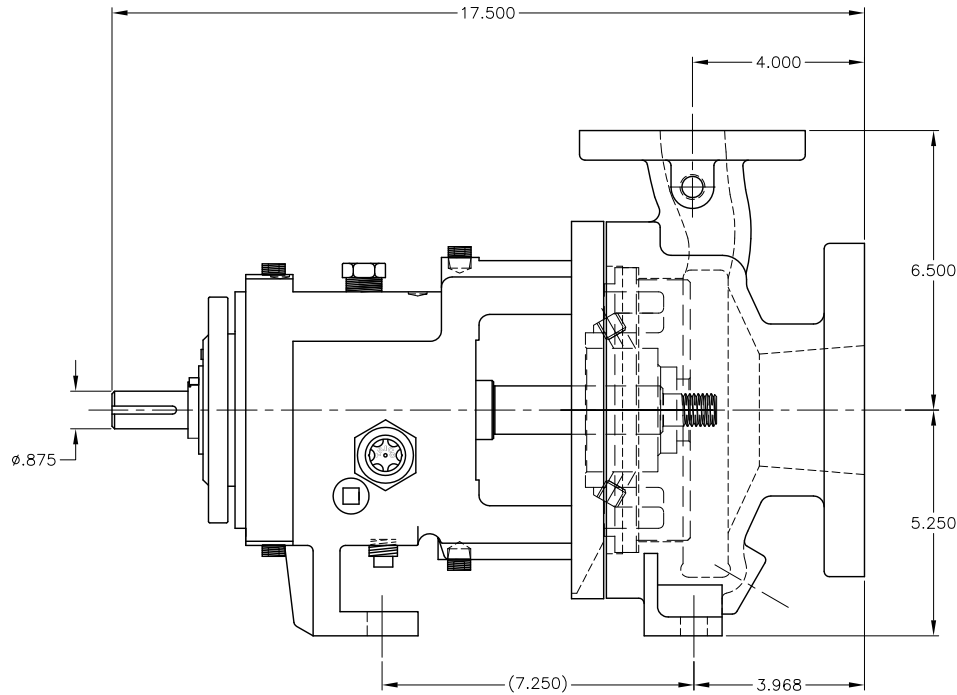


NOTES: UNLESS OTHERWISE SPECIFIED

1. DIMENSIONS AND TOLERANCES PER ANSI Y14.5M-1982.
2. * INDICATES DIMENSIONS AND/OR FEATURES MODIFIED ON CURRENT REVISION LEVEL.

REV.	DESCRIPTION	BY	APP.	DATE
A	3 x 1.5 - 6 AB ANSI ASSEMBLY	M.H.		



THIS DOCUMENT AND ITS CONTENTS ARE PROPRIETARY TO WILSON PUMP AND ENGINEERING CO. ANY REPRODUCTION, DISCLOSURE OR USE OF THIS DOCUMENT IS EXPRESSLY PROHIBITED EXCEPT AS OTHERWISE AGREED TO IN WRITING.

DO NOT SCALE DRAWING	
UNLESS OTHERWISE SPECIFIED DIMENSIONS ARE IN INCHES	
TOLERANCES ARE:	
FRACTIONS	± -
DECIMALS .XX	± -
.XXX	± -
ANGLES	± -
SCALE 1/1	SHEET 1 OF 1

		GRISWOLD PUMP COMPANY	
		22080 VAN BUREN ST. GRAND TERRACE, CA 92313 PHONE: (800) 843-2223, FAX: (800) 752-2929	
TITLE ASSEMBLY, 3 x 1.5 - 6 AB ANSI			
DRAWN BY M. HIATT	DATE 10/09/08	ASSY. NO.	
CHECKED BY	DATE	DRAWING NO.	REV.
APPROVED BY	DATE	31.56AB	A