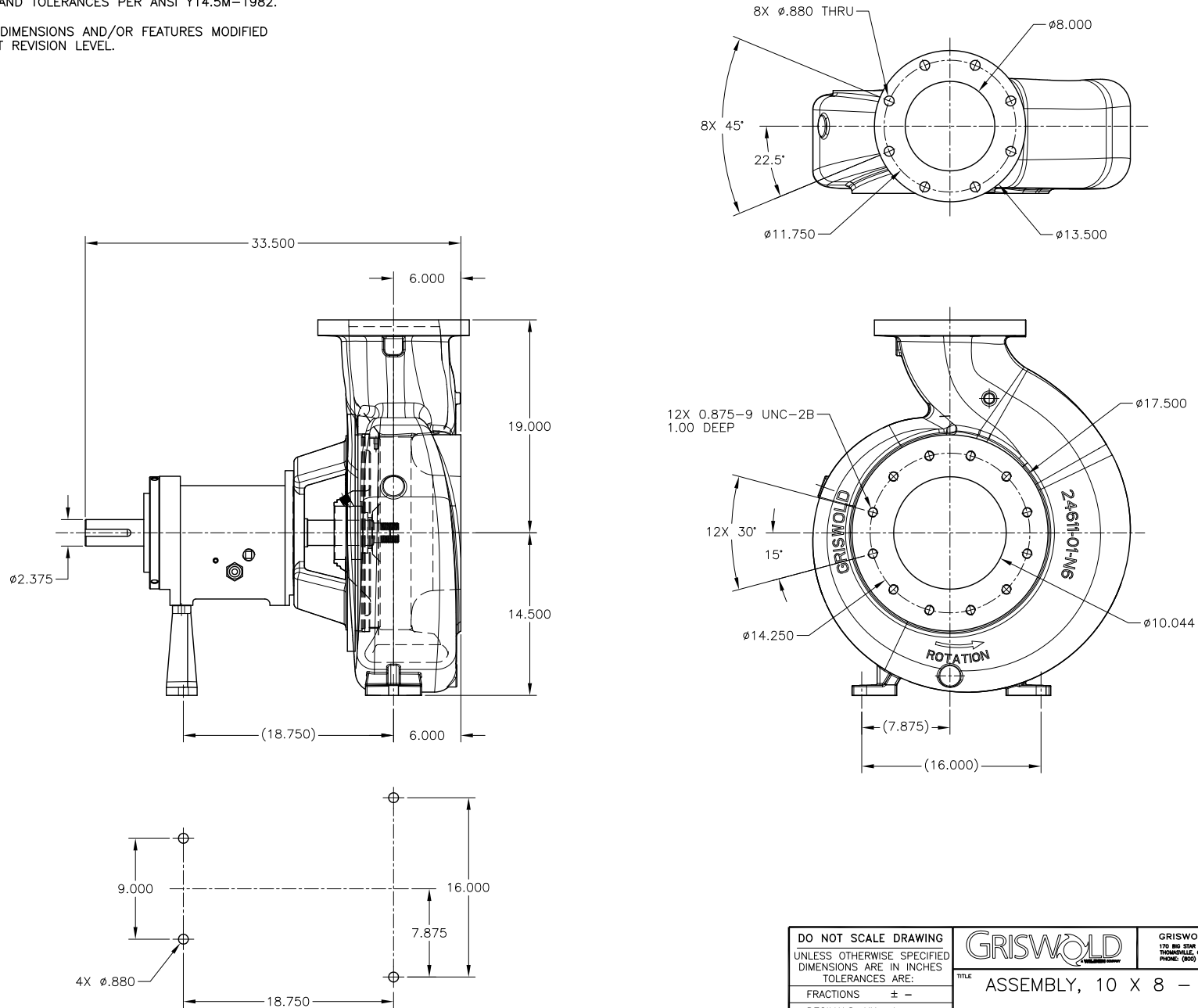


REV.	DESCRIPTION	BY	APP.	DATE
A	10 X 8 - 16H ANSI ASSEMBLY	M.H.		

NOTES: UNLESS OTHERWISE SPECIFIED

1. DIMENSIONS AND TOLERANCES PER ANSI Y14.5M-1982.
2. * INDICATES DIMENSIONS AND/OR FEATURES MODIFIED ON CURRENT REVISION LEVEL.



THIS DOCUMENT AND ITS CONTENTS ARE PROPRIETARY TO WILSON PUMP AND ENGINEERING CO. ANY REPRODUCTION, DISCLOSURE OR USE OF THIS DOCUMENT IS EXPRESSLY PROHIBITED EXCEPT AS OTHERWISE AGREED TO IN WRITING.

DO NOT SCALE DRAWING		GRISWOLD		GRISWOLD PUMP COMPANY 170 8th Street Drive Thomasville, GA 31792 PHONE: (850) 843-2222, FAX: (800) 752-2929	
UNLESS OTHERWISE SPECIFIED DIMENSIONS ARE IN INCHES TOLERANCES ARE:		TITLE ASSEMBLY, 10 X 8 - 16H ANSI			
FRACTIONS ± -		DRAWN BY M. HIATT		DATE 01/04/10	
DECIMALS .XX ± -		CHECKED BY		ASSY. NO.	
.XXX ± -		DATE		DRAWING NO.	
ANGLES ± -		APPROVED BY		DATE	
SCALE 1/1		SHEET 1 OF 1		10816HA A	