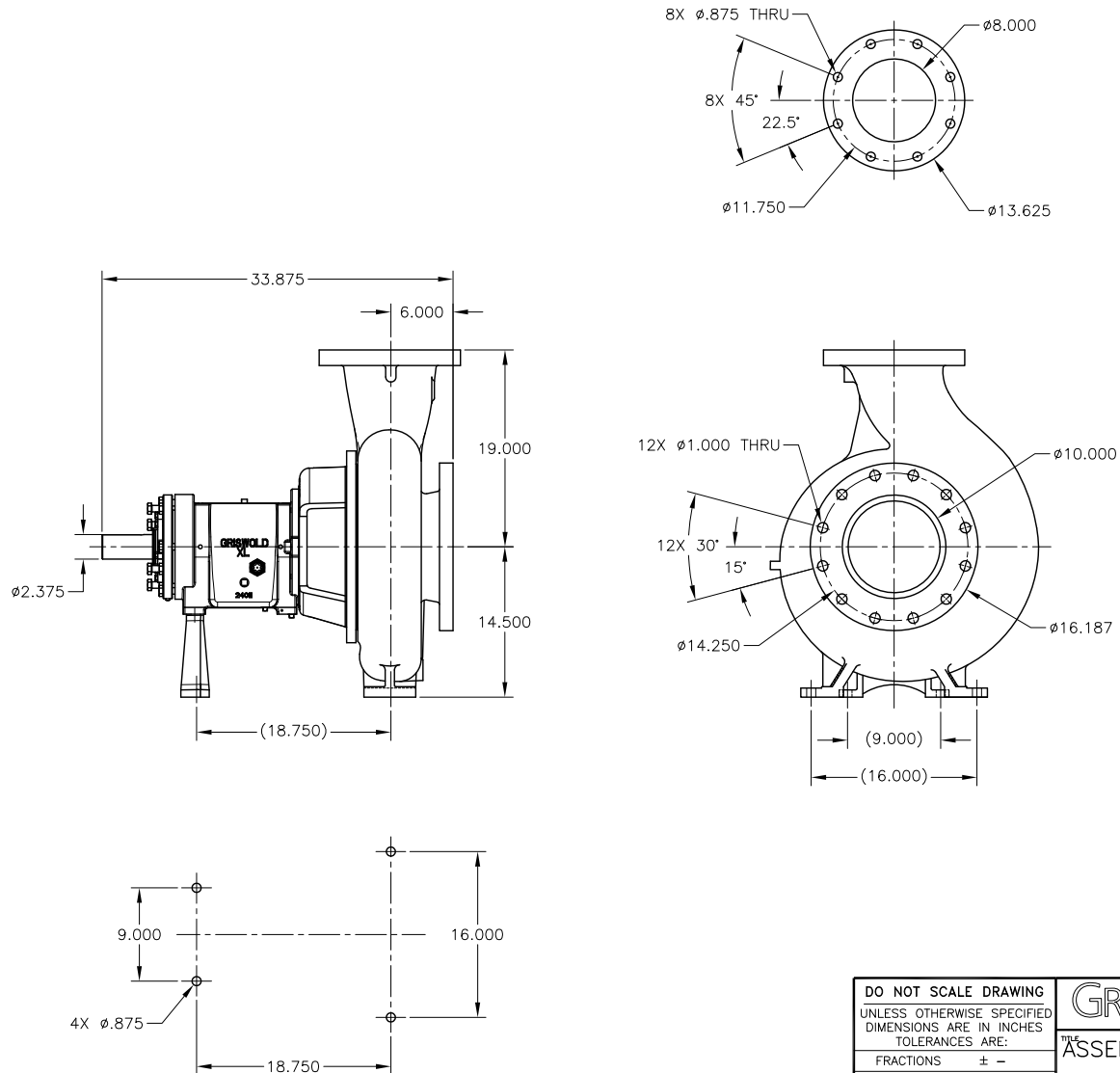


CAD generated and maintained drawing. All printed and electronic copies outside of Griswold's engineering database are "Uncontrolled" and shall be used for reference only.

NOTES: UNLESS OTHERWISE SPECIFIED

1. DIMENSIONS AND TOLERANCES PER ANSI Y14.5M-1982.
2. * INDICATES DIMENSIONS AND/OR FEATURES MODIFIED ON CURRENT REVISION LEVEL.

REV.	DESCRIPTION	BY	APP.	DATE
A	10 x 8 - 15G A120 ANSI ASSEMBLY	M.H.		



THIS DOCUMENT AND ITS CONTENTS ARE PROPRIETARY TO WILSON PUMP AND ENGINEERING CO. ANY REPRODUCTION, DISCLOSURE OR USE OF THIS DOCUMENT IS EXPRESSLY PROHIBITED EXCEPT AS OTHERWISE AGREED TO IN WRITING.

DO NOT SCALE DRAWING	
UNLESS OTHERWISE SPECIFIED DIMENSIONS ARE IN INCHES	
TOLERANCES ARE:	
FRACTIONS	\pm -
DECIMALS .XX	\pm -
.XXX	\pm -
ANGLES	\pm -
SCALE 1/1	SHEET 1 OF 1

		GRISWOLD PUMP COMPANY 22080 VAN BUREN ST. GRAND TERRACE, CA 92513 PHONE: (800) 943-9223, FAX: (800) 752-2928			
		TITLE ASSEMBLY, 10 x 8 - 15G A120 ANSI			
DRAWN BY	M. HIATT	DATE	08/16/11	ASSY. NO.	
CHECKED BY		DATE		DRAWING NO.	
APPROVED BY		DATE		10815GA120	REV. A