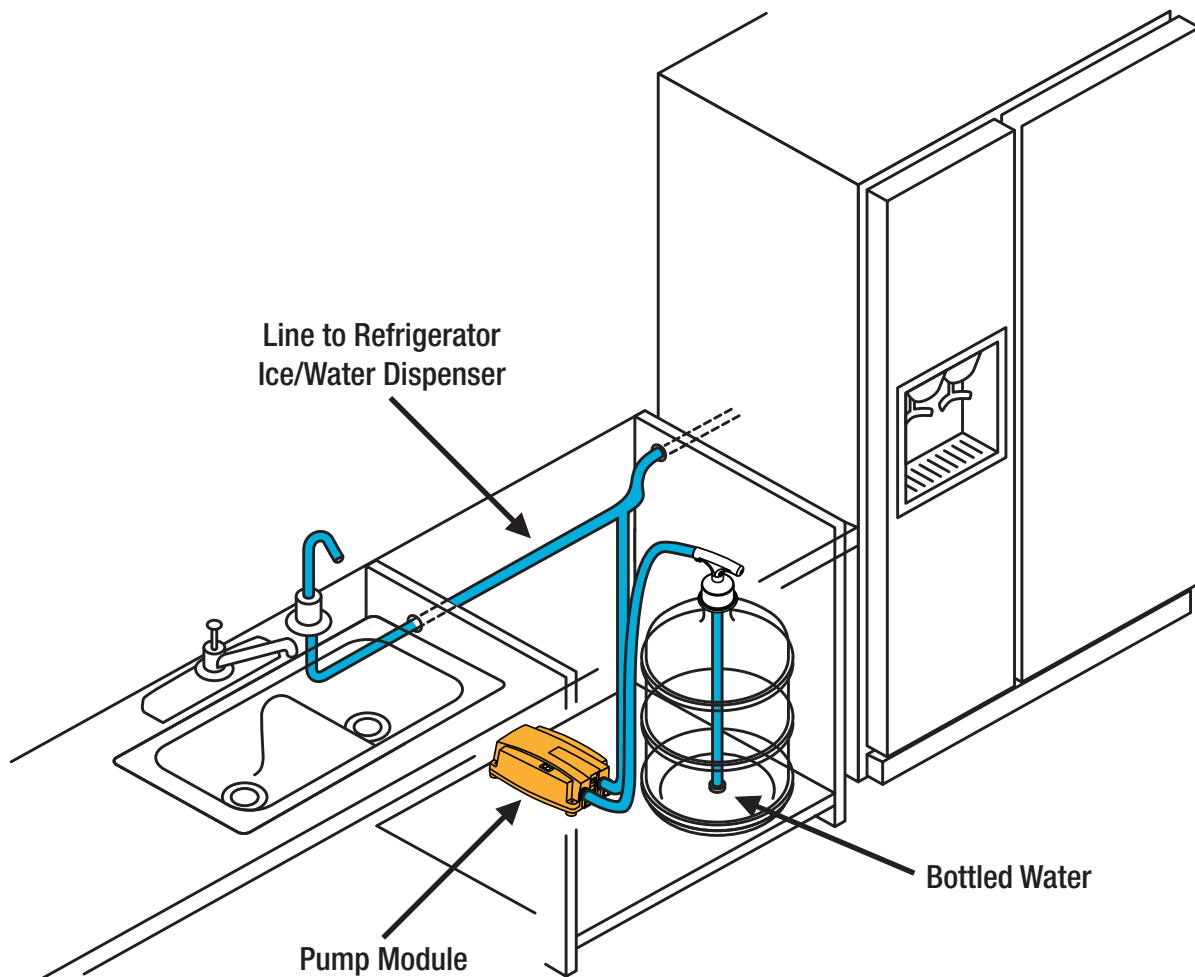


FLOJET

a xylem brand

BOTTLED WATER DISPENSER *Plus*

DISPENSADOR DE AGUA EMBOTELLADA



www.xylemflowcontrol.com

Flojet is a trademark of Xylem Inc. or one of its subsidiaries.
© 2012 Xylem, Inc. 81000-450 Rev E. 1/12

Dispensing System
Installation & Maintenance Instructions

HOW THE SYSTEM WORKS

The FLOJET Bottled Water Dispensing System was designed to pump purified water from a commercially available 5-gallon purified water bottle. The system will deliver the water under pressure to an individual drinking water faucet, the water inlet of a refrigerator for the icemaker and chilled drinking water tap, and to certain commercial coffee / tea brewers.

When the suction wand is inserted into the standard 5-gallon bottle, it will activate the float switch on the end of the wand and turn on the pump. This same float switch shuts off the system when the bottle is empty. The wand has a built in back-flow preventor valve that prevents water in the system from flowing back into the bottle, or spilling while changing bottles.

The heart of the system is the pump module that automatically adjusts the flow and pressure to fill an appliance or faucet, and stops automatically.

The system is equipped with an automatic thermal cut-off device for additional protection.

INVENTORY OF SYSTEM COMPONENTS

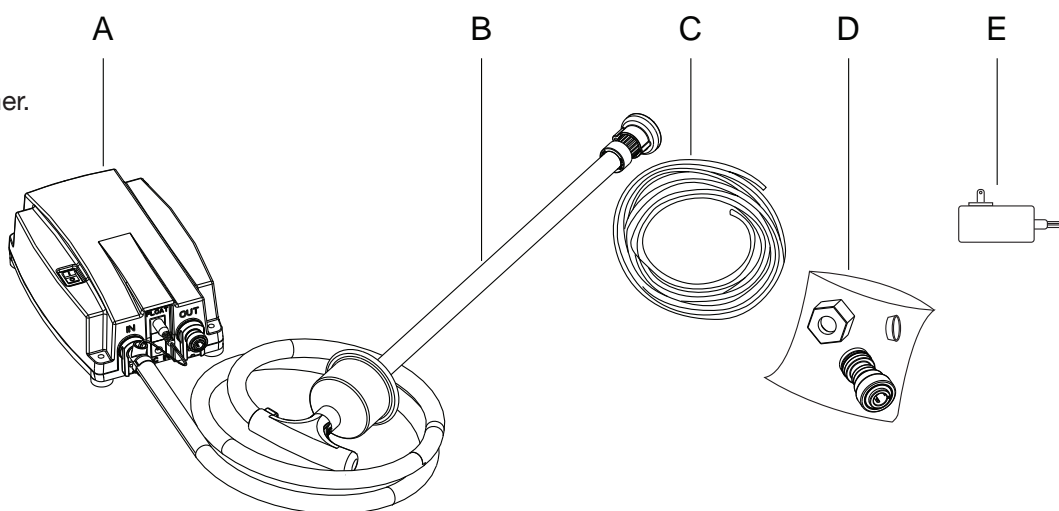
A. Pump Module with On/Off Rocker Switch, 3.5 ft. (1m) Cord.

B. Suction Wand and Hose Assembly

C. 20 ft (6.1m) of 1/4 in. (6.35mm) Discharge Tube

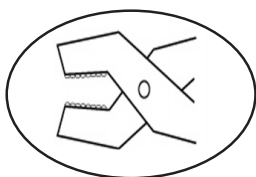
D. Kit Fitting: Hose port/connector, compression nut and sleeve.

E. Wall power transformer.

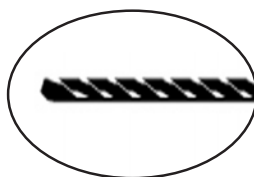


TOOLS REQUIRED TO INSTALL SYSTEM

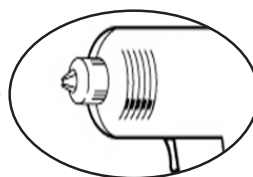
1. Medium sized Wrench
2. 7/16 in. (11.12mm) or 1/2 in. (12.7mm) Drill Bit
3. Power Drill
4. Sharp Knife or Box Knife



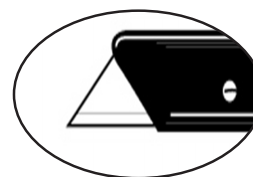
1



2



3



4

TROUBLESHOOTING

System Will Not Dispense Water

- Check on/off switch position
- Check power to dispensing system
- Check location of suction wand in bottle
- Check for empty bottle
- Check for air in system

Discharge Tube Leaks At Fitting

- Push tube all the way into tube stop
- Remove tube and cut 1/4 in. (6.35 mm) off end, square and reinstall
- Check correct tube size in fitting, tube size is 1/4 in. (6.35 mm) O.D. Fitting should be 1/4 in. (6.35 mm) I.D.

System Gets warm and turns off

- Check the float switch
- Check for leaks in discharge tube

System Will Not Shut-Off

- Check for leaks in tubing system
- Check for leaks at tube fittings
- Check for leaks at faucet, ice maker or refrigerator water valve
- Check pressure switch by turning faucet off and on
- Check float switch position in bottle

System Continually Turns Off and On While in Use

- Check for restriction device at appliance inlet.
- Check for filter unit in line.
- Check for internal filters in the refrigerator.

WARRANTY

Flojet warrants this product to be free of defects in material and/or workmanship for a period of one (1) year after purchase by the customer from Flojet. During this one (1) year warranty period, **Flojet** will, at its option and at no charge to the customer, repair or replace this product if found defective in material or workmanship, with a new or reconditioned product. But not to include costs of removal or installation.

This is only an overview of our limited warranty. If you would like a copy of our warranty, please call or write **Flojet**.

RETURN PROCEDURE

Prior to returning any product to **Flojet**, call customer service for an authorization number. This number must be written on the outside of the shipping package. Place a note inside the package with an explanation regarding the reason for return as well as the authorization number (include your name, address and phone number).

MAINTENANCE AND SANITATION

Equipment Required

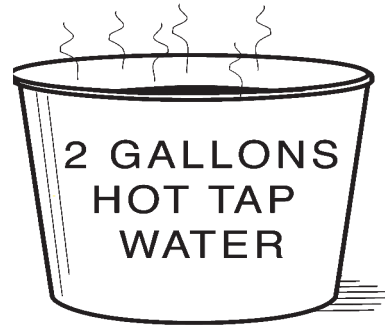
- Two (2) 2 1/2 Gallon (9.6L) Household Pails
- One (1) Roll of Paper Towels
- One (1) Small Container of Household Bleach

Clean In-Place Procedure

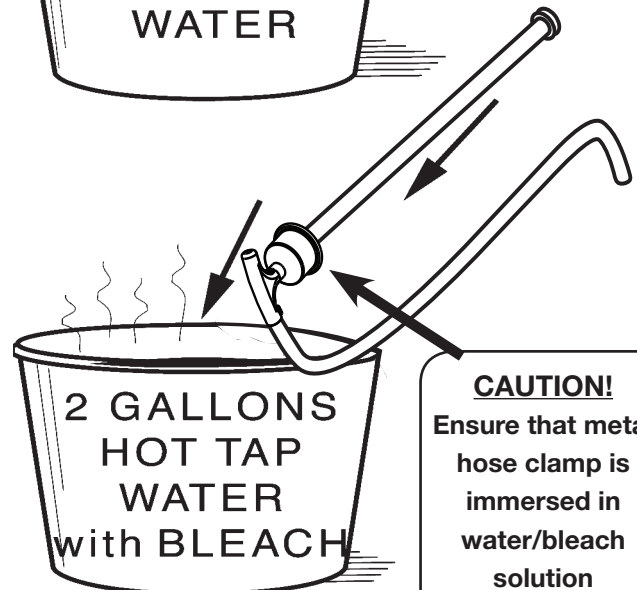
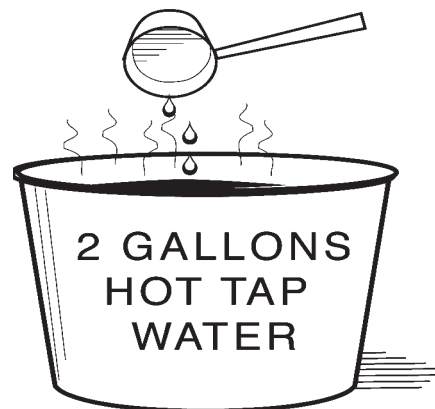
1. Using the on/off switch on the front of the enclosure, turn Bottled Water Dispensing System off by putting the switch in the off position.
2. Fill a clean pail (A) with two (2) gallons of hot tap water (135°F/57.2°C), adding one (1) ounce of household bleach.
3. Remove the suction wand from the pure water bottle and submerge the bottle cap end into pail (A), taking care to ensure that the metal hose clamp connecting the hose to the suction wand(s) is/are totally immersed in the water/bleach solution, for ten minutes and then wash underside of cap and suction tube exterior with a clean paper towel. If using the optional Flojet faucet, disconnect the tubing. Remove the faucet, immersing it in the water/bleach solution for ten minutes. Wash the faucet exterior with clean paper towel; install the faucet and reconnect the tubing. Place suction wand into clean empty pail (B) and dispose of solution in pail (A).
4. Refill the cleaned pail (A) with two (2) gallons of hot tap water (135°F/57.2°C) adding one (1) ounce of household bleach and place suction wand(s) into pail with bottle cap up.
5. Disconnect the discharge tube from the faucet or the refrigerator and place into the empty second pail (B). (Do not use pail with clean water and chlorine solution).
6. Turn dispensing system on, by placing on/off switch in the on position and dispense all of the chlorine solution into pail (B). Place discharge tube into pail (A) and dispose of bleach, and rinse pail (B). Replace tube into pail (B).
7. Refill pail (A) with two (2) gallons of hot tap water (135°F/ 57.2°C), adding one (1) ounce (29.57 mm) of household bleach. Dispense bleach as in step #6.
8. Reinstall suction wand(s) into new bottle(s) of pure water and reconnect discharge tube into refrigerator or faucet and dispense 12 to 18 ounces (355 ml to 532 ml) of water, or until bleach taste is removed.
9. Cleaning should be performed at least six (6) times per year. System should be cleaned and flushed with fresh water if stagnant for more than 48 hours.

CAUTION

Do not place Bottled Water Dispensing System into a dishwasher as it will cause electrical failure of pump and controls.



CAUTION!
135°F (57.2°C)
Maximum Water
Temperature

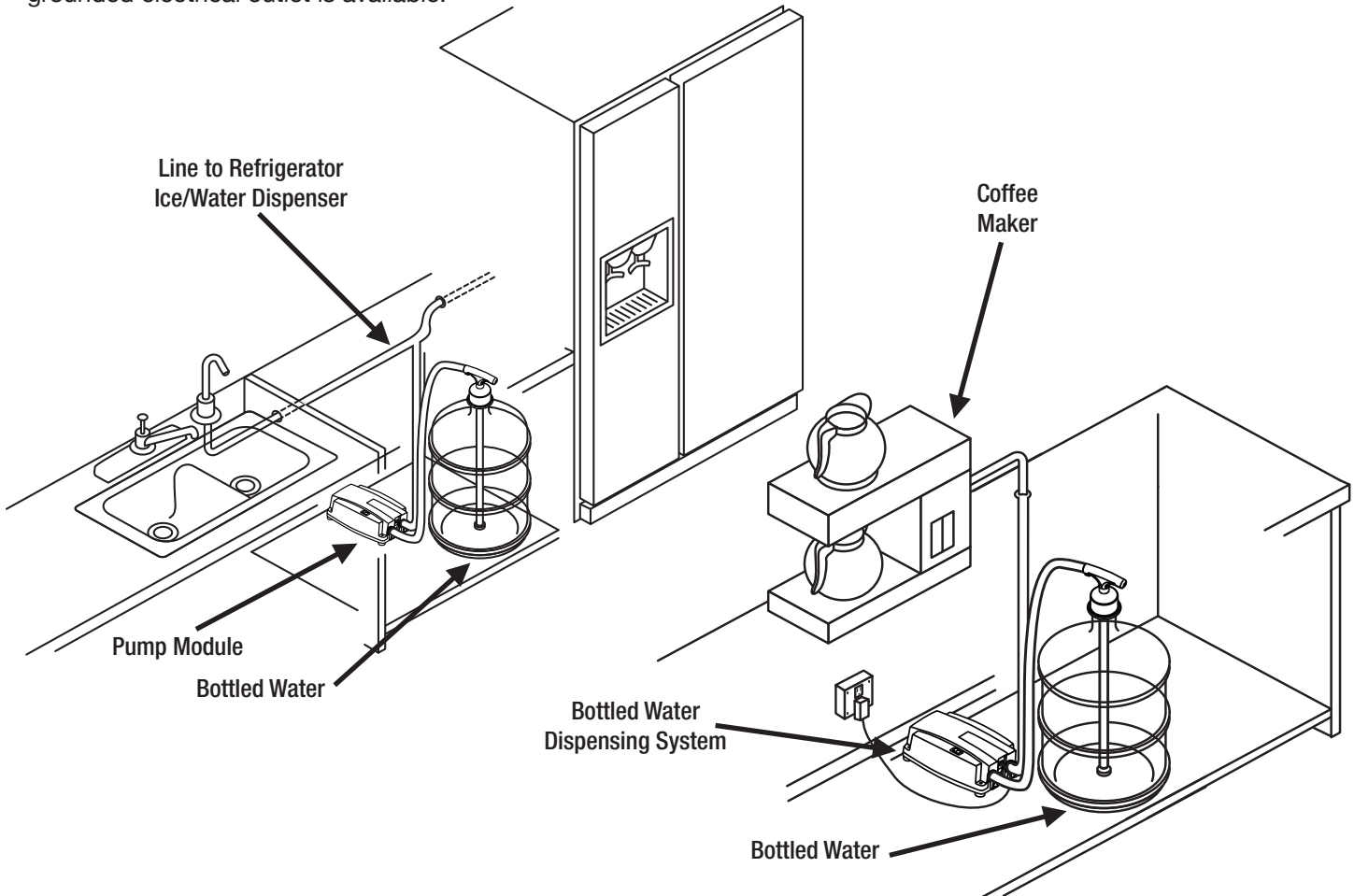


CAUTION!
Ensure that metal
hose clamp is
immersed in
water/bleach
solution

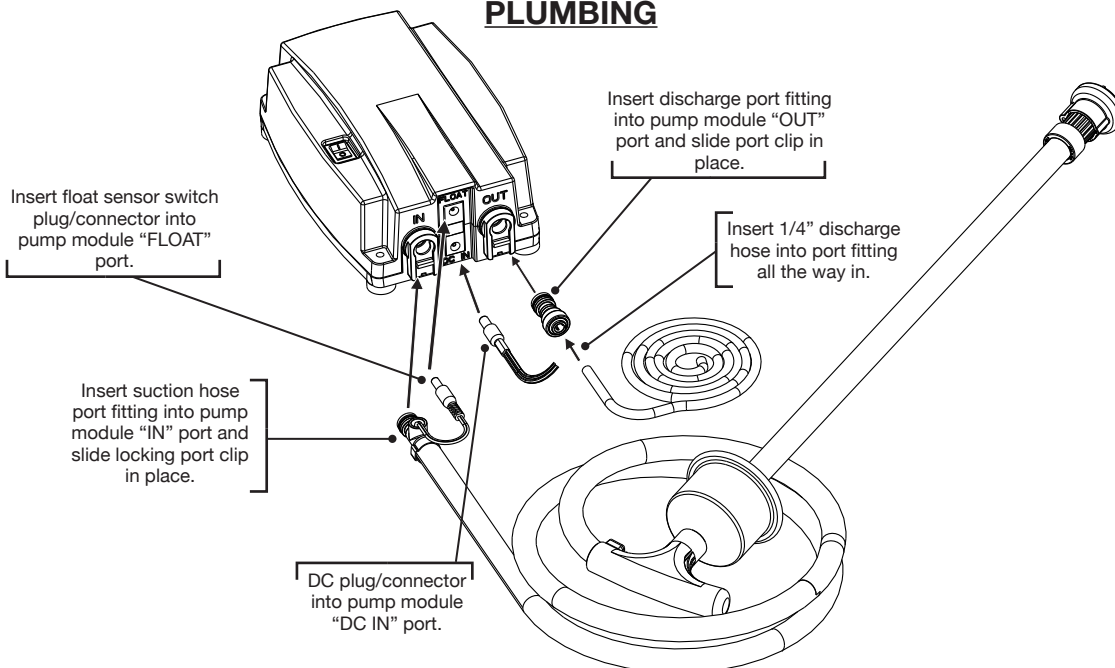
PLUMBING INSTALLATION

Select a cabinet large enough to accommodate the 5 gallon (19L) bottle and suction wand assembly. Place the Pump Module on the floor of the cabinet with on/off switch and suction tube facing out toward the cabinet doors. Position as close as possible to a grounded electrical outlet and place the five gallon bottle close to the Pump Module without kinking the suction hose.

The Bottled Water Dispensing System may also be placed in a pantry, closet, cellar or other location where a grounded electrical outlet is available.



PLUMBING



PLUMBING

There is 20 ft. (6.1 m) of 1/4 in. (6.35 mm) O.D. polyethylene tubing supplied with the FLOJET Bottled Water Dispensing System. Carefully measure the distance between the pump module outlet and the appliance water inlet or optional faucet, and cut the tubing clean and square to prevent fitting leaks. If the refrigerator and faucet are being connected, use 1/4 in. (6.35 mm) tube “T” fitting and place it in an accessible location. Push the cleanly cut tubing end into the pump module outlet port, past the o-ring to tube stop. Route tubing to the refrigerator water valve and connect it to the water inlet valve in the back of the refrigerator by using the tube connector fitting. First slip nut over the tube, then place the ferrule over the tube, then install onto the refrigerator water valve fitting and tighten.



CAUTION: DO NOT USE COPPER TUBING WITH ANY MODEL OF FLOJET BOTTLED WATER DISPENSING SYSTEMS

For installation and use with commercial coffee and tea brewing equipment:

Many commercial coffee and tea brewing machines can be connected to a water supply line. Ensure that you have a 1/4 in. (6.35 mm) I.D. connection fitting at the water inlet that can accept the supplied 1/4 in. (6.35 mm) O.D. tubing. These brewing machines have a factory installed device that restricts incoming water to a safe pressure that won't damage the brewing machine. This device is usually referred to as an inlet pressure regulator or flow restrictor, and limits incoming water pressure to approx. 90-100 psi. If you intend to use the Flojet BW system with one of these brewing machines, you should remove the brewing machine's inlet restrictor device. Consult the brewing machine manufacturer for details. Failure to remove the brewing machine's restrictor may cause the Flojet BW series pump to cycle itself off and on repeatedly, leading to premature motor failure of the Flojet BW unit. This type of failure is not covered under warranty. Use of filter devices with your commercial brewer is unnecessary; see below

For installation on refrigerators with ice making and/or water dispensing functions:

Do not use any external filtration devices. These will cause the pump to over-cycle, possibly causing premature pump failure, not covered under warranty. If your refrigerator has factory installed internal filtration that must remain in place as part of the water line, this too may cause over-cycling resulting in pump failure. Contact the refrigerator maker and inquire about obtaining an empty or dummy filter housing for use instead of the standard filter model. If none is available, the use of a small accumulator tank will be necessary. You may order Flojet P/N 30573002B, tank, and P/N 20381-064, fitting kit. Please contact Flojet for more information.

ELECTRICAL

WARNING: Risk of Electrical Shock!

Certain BW models are available without an electrical plug; this allows for direct connection to the power source, or the addition of a particular plug type not available from FLOJET. Additionally, it may become necessary to replace a damaged plug. Observe these instructions when connecting your BW unit to a plug or power source.

- **PRESSURE WARNING:** Maximum total head is 92 ft. (28 m) when pump switch cutoff occurs.
- When wiring any electrically driven pump system, follow all local electrical and safety codes. In the U.S., heed the most recent National Electrical Code (NEC) and Occupational Safety and Health Act (OSHA) as well.
- Make sure the power source conforms to the pump voltage.
- Be sure that all power is disconnected before connecting the BW unit to the power source.

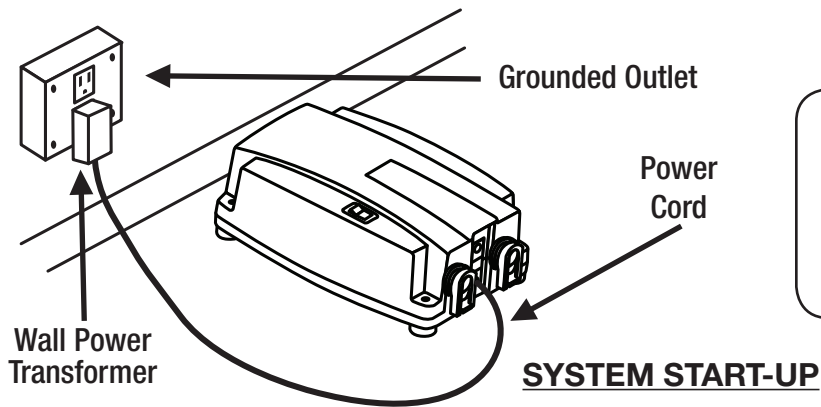
For 115V AC models with plugs: Plug the power cord into a grounded outlet after moving pump system's rocker switch to OFF position.

For 230V AC models with plugs: Plug the power cord into a grounded outlet after moving pump system's rocker switch to OFF position. Make sure supplied plug matches outlet configuration.

For 12V DC models: Connect the Red wire lead (positive/+) to a minimum 4 amp circuit and connect the Black wire lead (negative/-) to the battery ground or chassis. For runs to 20 ft. (6.1 m) use 18 or 16 AWG; for runs to 50 ft. (15.2 m), use 16 or 14 AWG.

TEMPERATURE WARNING

For additional protection, thermal cut-off device which is activated at 158°F / 70°C. Under normal operation, it will take 45-50 minutes for the motor to reach 158°F / 70°C at open flow condition. Once the power is cut off to the unit, it takes 15-20 minutes to reset. Power is restored after motor temperature has dropped to 131°F / 55°C.



WARNING!
Damaged power cord must be replaced by factory authorized service only!

Before the Bottled Water Dispensing System is put into service, the system should be sanitized by following the maintenance and sanitation clean in-place procedure on page five (5).

After the Bottled Water Dispensing System has been mounted in a suitable location with the suction wand installed into the bottle and the discharge tube routed to the appliance water inlet (or to the optional drinking water faucet), the 115 volt AC and 230 volt AC systems must be plugged into a grounded outlet, and the 12 volt DC system must be hard wired to the vehicle or boat electrical system as outlined in the electrical section.

Turn the dispensing system on by placing the on/off switch in the on position (light will turn on) and operating the appliance dispensing valve or the drinking water faucet to vent all the air from the Bottled Water Dispensing System. After air is evacuated from the system, close the appliance dispensing valve or the water faucet and the pump will stop automatically until you open the water dispenser valve or water faucet. Follow manufacturer's plumbing and operating instructions with commercial coffee and tea brewers.

For refrigerators with icemaker only, the seal at the icemaker connection should be loosened or disconnected to vent the trapped air in the system. When water is present at the connection, reconnect, tighten and check for leaks.

Once the system is vented, it will not require venting again even after bottle changes.

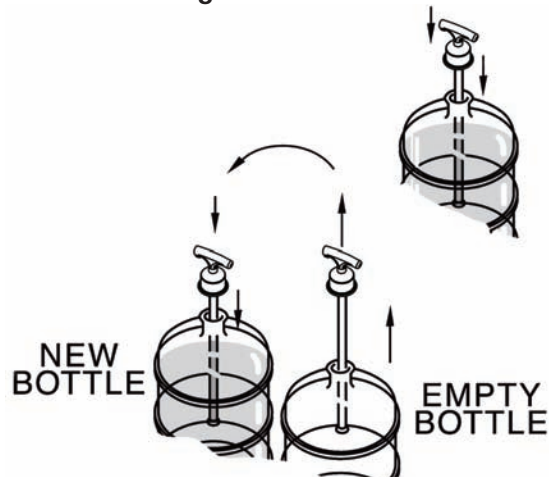
SUCTION WAND INSTALLATION

To install the suction wand into standard 5 gallon bottle, place bottle close to system and remove bottle cap, then install suction wand into bottle. (Note: If bottle is over filled, dispense enough water to allow the suction wand to be installed to the bottom of the bottle). Push suction wand bottle cap over bottle and push wand to bottom center of bottle.

SUCTION WAND REMOVAL AND CHANGING BOTTLES

Before removing suction wand from empty bottle, move bottle to an open area outside of cabinet. Put new bottle next to empty bottle, clean neck and cap area with detergent, and remove cap. Remove suction wand from empty bottle by lifting wand cap with a rocking motion and pull cap off bottle, sliding suction wand out of the bottle and place directly into new bottle while sliding cap over new bottle neck.

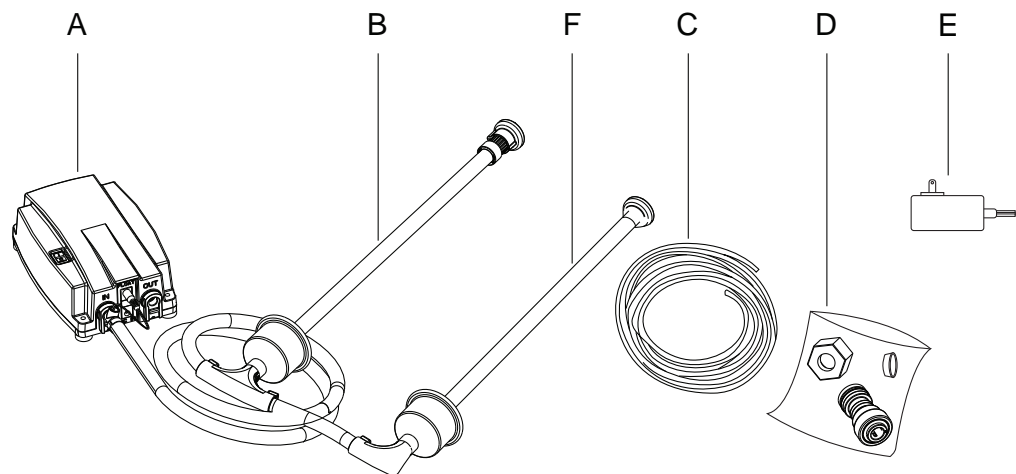
Do not attempt to remove suction wand by pulling on the soft plastic tube, which can result in permanent breakage of suction wand.



Do not place suction wand on floor, counter, or sink as this could contaminate the suction wand assembly. If bottle is over filled, dispense enough water to allow the suction wand to be pushed to bottom of bottle.

INVENTORY OF SYSTEM COMPONENTS

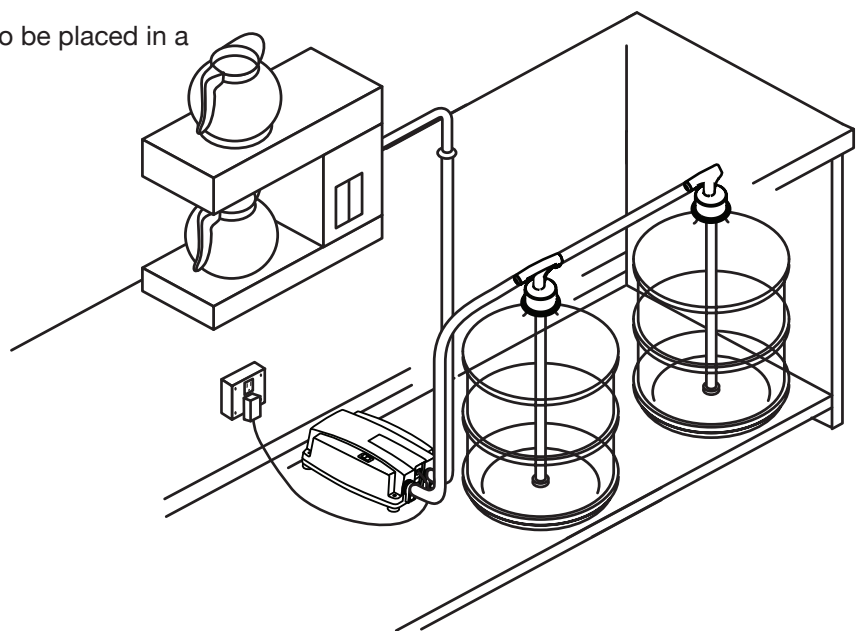
- A. Pump Module with On/Off Rocker Switch, 3.5 ft (1 m) cord.
- B. Suction Wand and Hose Assembly.
- C. 20 ft. (6.1 m) of 1/4 in. (6.35 mm) Discharge Tube.
- D. Kit Fitting: Hose port/connector, compression nut and sleeve.
- E. Wall power transformer.
- F. Auxiliiar feed tube.



MOUNTING OF SYSTEM

Select a cabinet large enough to accommodate two (2) five gallon bottles and suction wands assemblies. Two bottles can be maximum sixteen inches apart. Place the Pump Module on the floor of the cabinet with on/off switch and suction tube facing out toward the cabinet doors. Position as close as possible to a grounded electrical outlet and place the five gallon bottle close to the Pump Module without kinking the suction hose.

The Bottled Water Dispensing System may also be placed in a pantry, closet, cellar or other location where a grounded electrical outlet is available.

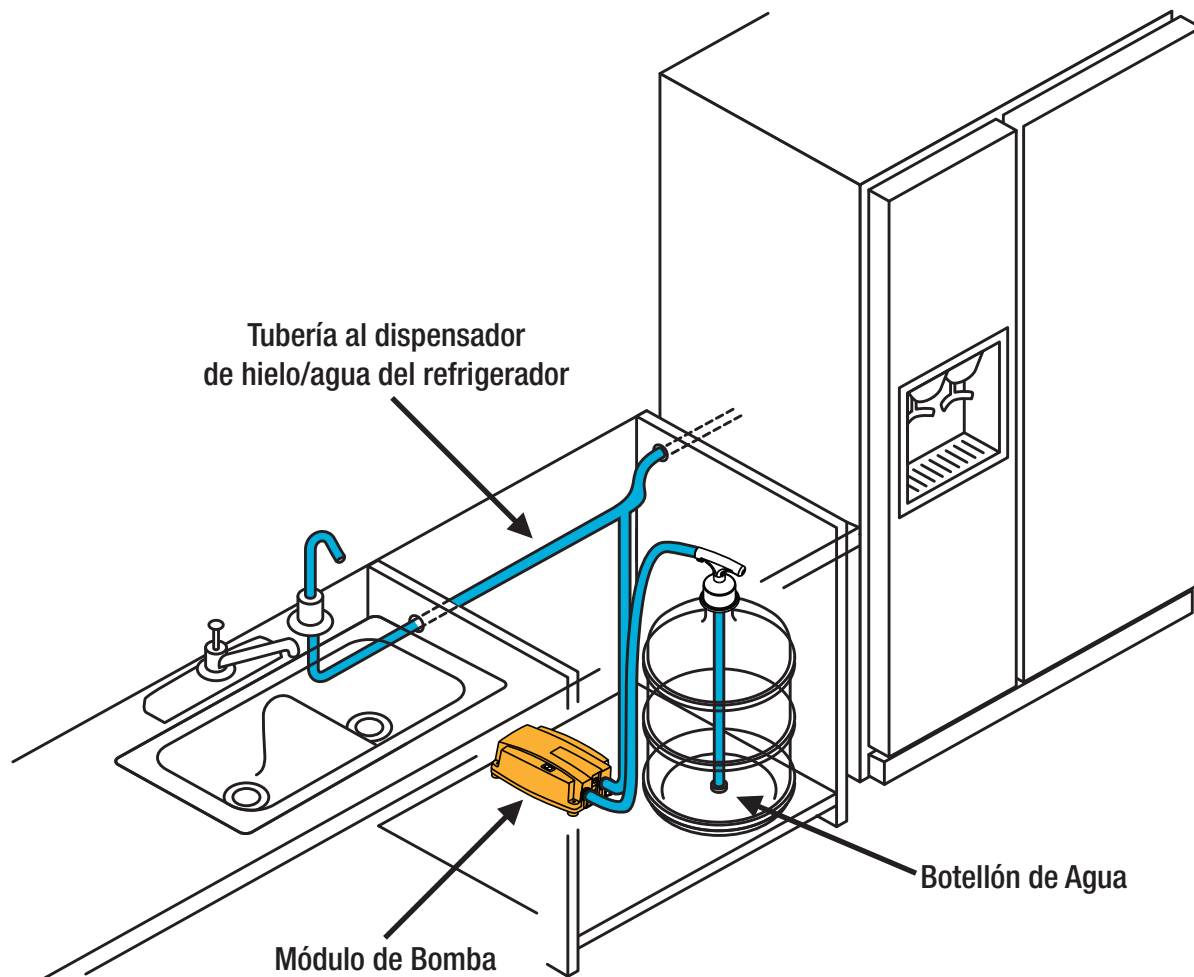


FLOJET

a xylem brand

BOTTLED WATER DISPENSER *Plus*

DISPENSADOR DE AGUA EMBOTELLADA



Bottled Water  **Dispenser**

FLOJET[®]

www.xylemflowcontrol.com

Flojet is a trademark of Xylem Inc. or one of its subsidiaries.
© 2012 Xylem, Inc. 81000-450 Rev E. 1/12

Sistema Dispensador
Manual de Instalación y Mantenimiento

CÓMO FUNCIONA EL SISTEMA

El sistema dispensador de agua de botellón FLOJET está diseñado para bombear agua purificada desde un botellón de 19 litros (5 galones) disponible comercialmente. El sistema entrega agua a presión a un grifo de agua purificada individual, la entrada de agua de un refrigerador para el dispensador de hielo y el grifo de agua potable enfriada, así como a ciertos percoladores comerciales de café y té.

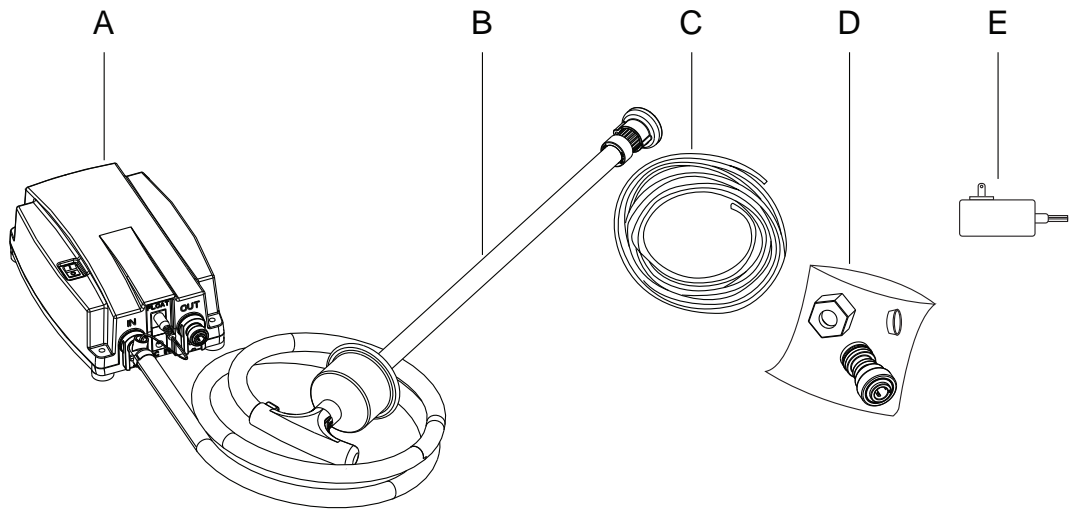
Cuando se inserta el tubo de succión en el botellón, standard de 5 galones se activa el interruptor de flotador del extremo del mismo y se pone en marcha la bomba. Este mismo interruptor de flotador apaga el sistema cuando se vacía el botellón. El tubo tiene una válvula de prevención de contraflujo que impide que el agua del sistema vuelva al botellón o se derrame cuando se cambian botellones.

El corazón del sistema es el módulo de bomba, que ajusta automáticamente el caudal y la presión para llenar un artefacto o grifo y se detiene automáticamente.

El sistema está equipado con un dispositivo de corte térmico automático como protección adicional.

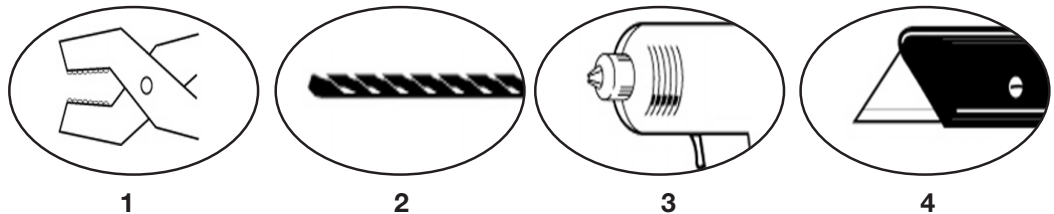
INVENTARIO DE COMPONENTES DEL SISTEMA

- A. Módulo de bomba con interruptor.
- B. Conjunto de bastón y manguera de succión.
balancín y cable de 1 m (3,3 pies)
- C. 6,1m (20 pies) de tubería de descarga de 1/4 pulg. (6,35 mm).
- D. Accesorios de conexión:
Conector para manguera de 1/4", tuerca, empaque.
- E. Transformador de pared.



HERRAMIENTAS NECESARIAS PARA INSTALAR EL SISTEMA

1. Llave mediana
2. Broca de 7/16 o 1/2 pulg. (11,12 ó 12,7 mm)
3. Taladro eléctrico
4. Navaja para abrir cajas



RESOLUCIÓN DE PROBLEMAS

El sistema no dispensa agua

- Verifique la posición del interruptor de encendido
- Verifique la alimentación eléctrica del sistema dispensador
- Verifique la posición del tubo de succión en el botellón
- Verifique si el botellón está vacío
- Verifique si hay aire en el sistema

El tubo de descarga pierde en la conexión

- Introduzca el tubo hasta el tope del mismo
- Retire el tubo, córtelo en escuadra a 6,35 mm (1/4 pulg.) del extremo y vuelva a instalarlo
- Verifique que el tamaño del tubo sea correcto en el accesorio de conexión, el diámetro externo deber ser 1/4 pulg. (6,35 mm). El diámetro interno del accesorio de conexión debe ser también ¼ pulg.

El sistema se calienta y se apaga

- Revise el interruptor de flotador
- Verifique si hay fugas en el tubo de descarga

El sistema no se apaga

- Verifique si hay fugas en el sistema de tubería
- Verifique si hay fugas en los accesorios de conexión de tubos
- Verifique si hay fugas en el grifo o la válvula de agua del dispensador de hielo o el refrigerador
- Revise el interruptor de presión abriendo y cerrando el grifo
- Verifique la posición del flotador en el botellón

El sistema se enciende y apaga continuamente durante el funcionamiento

- Revise el dispositivo de restricción de la entrada del artefacto.
- Revise la unidad de filtro de la tubería.
- Revise los filtros internos en el refrigerador.

GARANTÍA

Flojet garantiza que este producto está libre de defectos de material y/o mano de obra por un período de un (1) año a partir de la fecha de compra del cliente a **Flojet**. Durante este período de garantía de un (1) año, **Flojet** reparará o reemplazará este producto por otro nuevo o reacondicionado, a la sola opción de **Flojet** y sin cargo para el cliente, si determina que el producto tiene defectos de material o mano de obra. No obstante, no se incluyen los costos de desmontaje o instalación.

Ésta es sólo una descripción general de nuestra garantía limitada. Si desea una copia de nuestra garantía, llame o escriba a **Flojet**.

PROCEDIMIENTO DE DEVOLUCIÓN

Antes de devolver cualquier producto a **Flojet**, llame al Servicio al Cliente para obtener un número de autorización. Este número debe escribirse en el exterior del embalaje. Coloque en el interior del embalaje una nota con una explicación relativa al motivo de la devolución, como también el número de autorización (incluya su nombre, dirección y número telefónico).

MANTENIMIENTO Y SANITIZACIÓN

Equipos necesarios

Dos (2) cubos domésticos de 9,6 l (2 ½ galones)

Un (1) rollo de toallas de papel

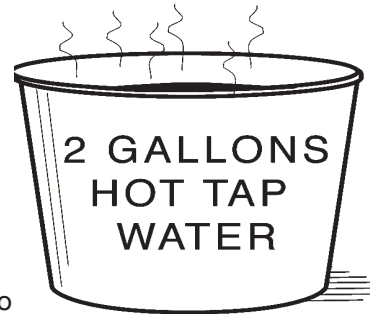
Un (1) envase pequeño de lejía doméstica

Procedimiento de limpieza in-situ

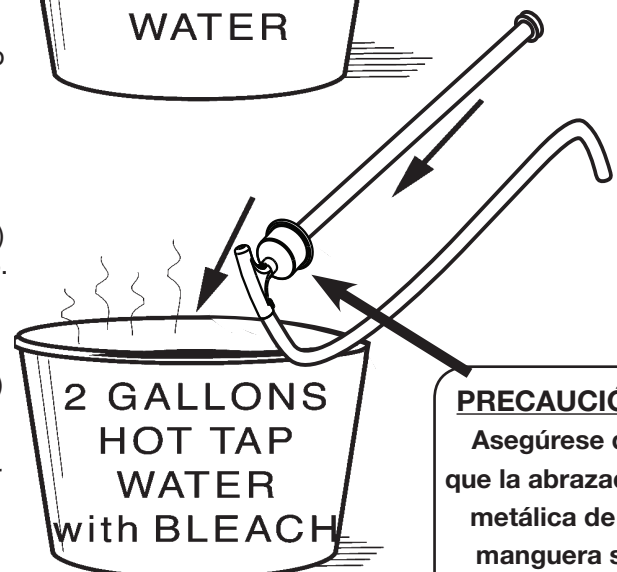
1. Apague el sistema dispensador de agua de botellón con el interruptor de encendido del frente de la cubierta, colocándolo en la posición "OFF".
2. Llene un cubo limpio (A) con 8 litros (2 galones) de agua corriente caliente (57,2°C/135°F) y agregue 30 g (1 onza) de lejía doméstica.
3. Retire el tubo de succión del botellón de agua pura y sumerja el extremo de la tapa de este último en el cubo (A), teniendo cuidado de asegurar que la abrazadera metálica que conecta la manguera al tubo de succión esté totalmente sumergida en la solución de lejía y agua durante diez minutos, y lave luego la parte inferior de la tapa y el exterior del tubo de succión con una toalla de papel limpia. Si usa el grifo opcional Flojet, desconecte la tubería. Retire el grifo y sumérjalo en la solución de lejía y agua durante diez minutos. Lave el exterior del filtro con una toalla de papel limpia, instale el grifo y vuelva a conectar la tubería. Coloque el tubo de succión en el cubo vacío limpio (B) y deseche la solución del cubo (A).
4. Limpie el cubo (A) y vuelva a llenarlo con 8 litros (2 galones) de agua corriente caliente (57,2°C/135°F), agregue 30 g (1 onza) de lejía doméstica y coloque el o los tubos de succión en el cubo con la tapa del botellón hacia arriba.
5. Desconecte el tubo de descarga del grifo o el refrigerador y colóquelo en el segundo cubo vacío (B). (No use el cubo con la solución limpia de cloro y agua).
6. Encienda el sistema dispensador, colocando el interruptor de encendido en posición "ON", y vierta toda la solución de cloro en el cubo (B). Coloque el tubo de descarga en el cubo (A), deseche la lejía y enjuague el cubo (B). Vuelva a colocar el tubo en el cubo (B).
7. Vuelva a llenar el cubo limpio (A) con 8 litros (2 galones) de agua corriente caliente (57,2°C/135°F) y agregue 30 g (1 onza) de lejía doméstica. Deseche la lejía como se indica en el paso 6.
8. Reinstale el o los tubos de succión en el o los botellones nuevos de agua pura, vuelva a conectar el tubo de descarga al refrigerador o grifo y dispense 355 a 532 ml (12 a 18 onzas) de agua o hasta que desaparezca el gusto a lejía.
9. Esta limpieza debe realizarse como mínimo seis (6) veces por año. El sistema se debe limpiar y enjuagar con agua potable si el agua queda estancada durante más de 48 horas.

PRECAUCIÓN

No coloque el sistema dispensador de agua de botellón en un lavavajilla puesto que causará fallas eléctricas de la bomba y los controles.



PRECAUCIÓN
57,2°C (135°F)
Temperatura
máxima del agua

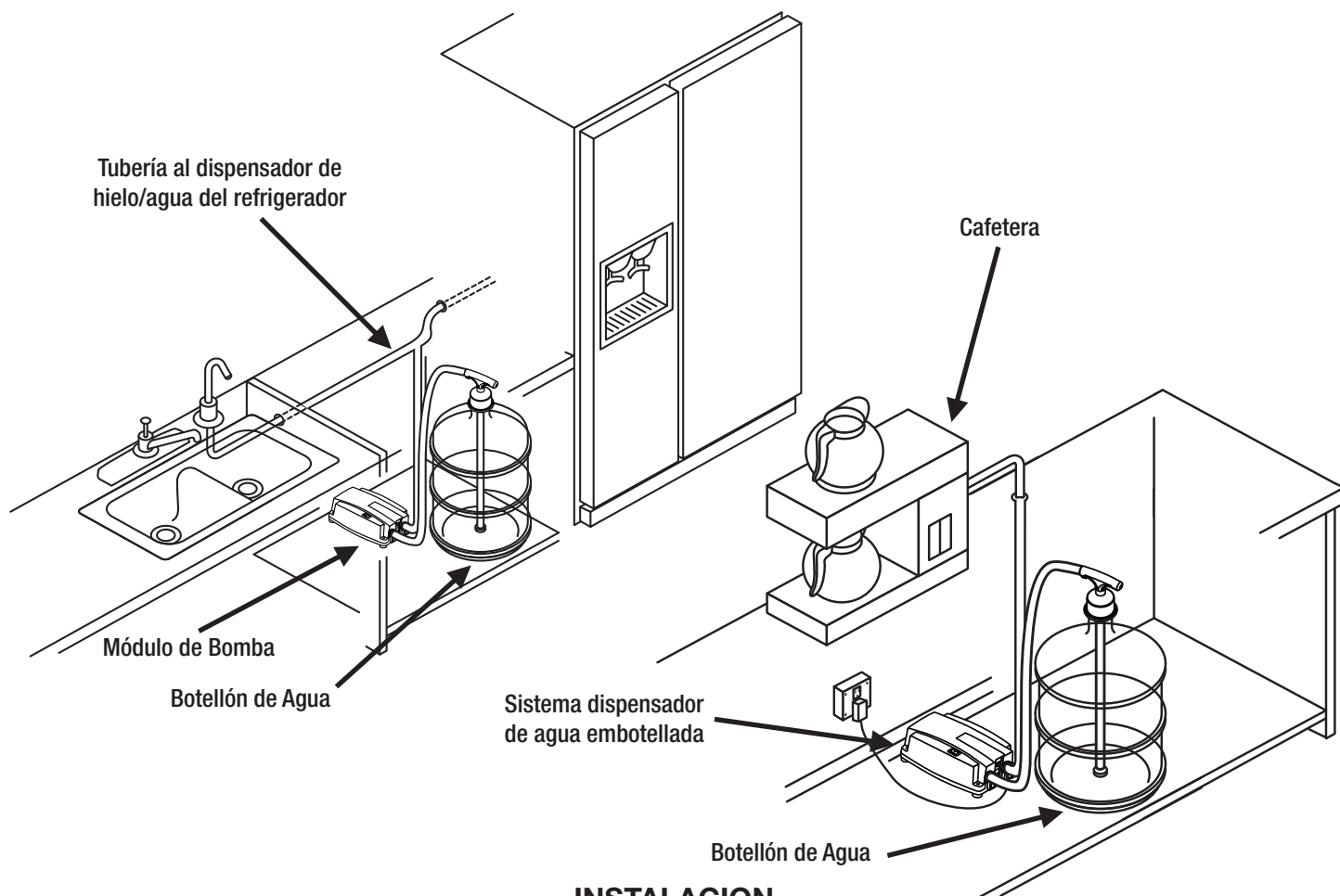


PRECAUCIÓN!
Asegúrese de
que la abrazadera
metálica de la
manguera se
sumerja en la
solución de lejía y
agua

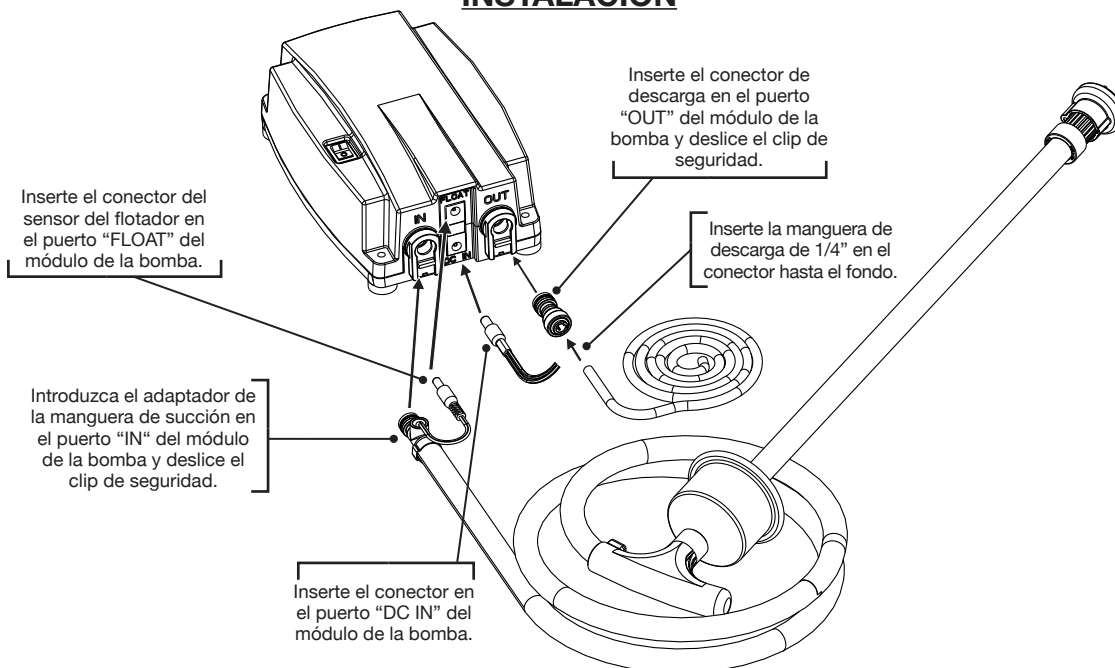
INSTALACION DE TUBERIA

Seleccione un gabinete suficientemente grande como para alojar el conjunto de botellón de 19 l (5 galones) y el tubo de succión. Coloque el módulo de bomba sobre el piso del gabinete con el interruptor de encendido y el tubo de succión mirando hacia afuera de las puertas del gabinete. Ubíquelo tan cerca de un tomacorriente con conexión a tierra como sea posible y coloque el botellón de cinco galones próximo al módulo de bomba, sin retorcer el tubo de succión.

El sistema dispensador de agua de botellón se puede colocar también en la despensa de la cocina, un clóset, la bodega u otro lugar donde se disponga de un tomacorriente con conexión a tierra.



INSTALACION



INSTALACIÓN DE TUBERÍAS

Con el sistema dispensador de agua de botellón de Agua FLOJET se suministran 6,1 m (20 pies) de tubería de polietileno de 1/4 pulg. (6,35 mm) de diámetro externo. Mida cuidadosamente la distancia entre la salida del módulo de bomba y la entrada de agua del artefacto o el grifo opcional, y corte la tubería limpiamente en escuadra para evitar pérdidas en la conexión. Si va a conectar al refrigerador y el grifo opcional, use el accesorio de conexión "T" de tubería de 1/4 pulg. (6,35 mm) y colóquelo en un lugar accesible. Coloque el extremo de la tubería cortado limpiamente en la conexión de salida del módulo de bomba, más allá de la junta tórica hasta el tope. Dirija la tubería a la válvula de agua del refrigerador y conéctela a la válvula de entrada de la parte trasera del mismo, usando el accesorio de conexión de tubería. Deslice primero la tuerca sobre el tubo, coloque el casquillo sobre el mismo, instálelo en la conexión de la válvula de agua del refrigerador y apriétela.



PRECAUTION : NO USAR TUBERIA DE COBRE EN NINGUN MODELO DE SISTEMAS DE DISPENSADORES DE AGUA.

Para instalación y uso con equipos percoladores comerciales de café y té.

Es posible conectar a una tubería de suministro de agua muchos percoladores comerciales de café y té. Asegúrese de tener un accesorio de conexión de 1/4 pulg. (6,35 mm) de diámetro interno en la entrada de agua que pueda aceptar la tubería de 1/4 pulg. (6,35 mm) de diámetro externo. Los percoladores tienen un dispositivo instalado en la fábrica que restringe la entrada de agua a una presión segura que no dañe la máquina. Este dispositivo se denomina habitualmente regulador de presión de entrada o restrictor de caudal y limita la presión del agua entrante a aproximadamente 90-100 psi. Si desea usar el sistema Flojet BW con uno de estos percoladores, debe retirar el dispositivo restrictor de la entrada de dicha máquina. Consulte los detalles del percolador al fabricante del mismo. Si no se retira el restrictor del percolador, puede ocurrir que la bomba serie Flojet BW se apague y encienda repetidamente, produciendo una falla prematura del motor de la unidad. Este tipo de falla no está cubierto por la garantía. No es necesario usar dispositivos de filtro con su percolador comercial —vea más abajo

Para instalación en refrigeradores con funciones de dispensador de hielo y/o agua:

No use ningún dispositivo de filtro externo. Si lo hace, se producirán ciclos repetidos de encendido y apagado de la bomba, que pueden causar la falla prematura de la misma, no cubierta por la garantía. Si su refrigerador viene con un sistema de filtro interno instalado en la fábrica que debe permanecer en su sitio como parte de la tubería de agua, este dispositivo puede causar también un exceso de ciclos que produce la falla de la bomba. Contacte al fabricante del refrigerador acerca de la obtención de una carcasa de filtro vacía o sustituta para usar en lugar del modelo de filtro estándar. Si no se dispone de ninguna, será necesario usar un pequeño tanque acumulador. Puede solicitar el tanque, N/P Flojet 30573002, y el juego de accesorios de conexión N/P 20381-064. Para más información, contacte a Flojet.

INSTALACIÓN ELÉCTRICA

ADVERTENCIA: ¡Riesgo de electrocución!

Se dispone de ciertos modelos de sistemas para agua embotellada sin enchufe eléctrico, lo que permite la conexión directa al suministro o el agregado de un tipo de enchufe particular no disponible en FLOJET. Además, puede resultar necesario reemplazar un enchufe dañado. Observe estas instrucciones cuando conecte su unidad para agua embotellada a un enchufe o suministro eléctrico.

- **ADVERTENCIA ACERCA DE LA PRESIÓN:** La columna hidrostática total máxima es 28 m (92 pies) cuando se produce el corte del interruptor de la bomba.
- Para cablear cualquier sistema de bomba eléctrica, siga todos los códigos locales de electricidad y seguridad. En EE.UU., cumpla también el Código Eléctrico Nacional (NEC) y la Ley de Seguridad y Salud Operacional (OSHA).
- Asegúrese de que el suministro eléctrico coincida con el voltaje de la bomba.
- Antes de conectar la unidad BW al suministro eléctrico, asegúrese de que dicho suministro esté desconectado.

Para todos los modelos de 120 VCA con enchufe: Enchufe el cable de alimentación a un tomacorriente con conexión a tierra después de colocar el interruptor de balancín del sistema en la posición OFF.

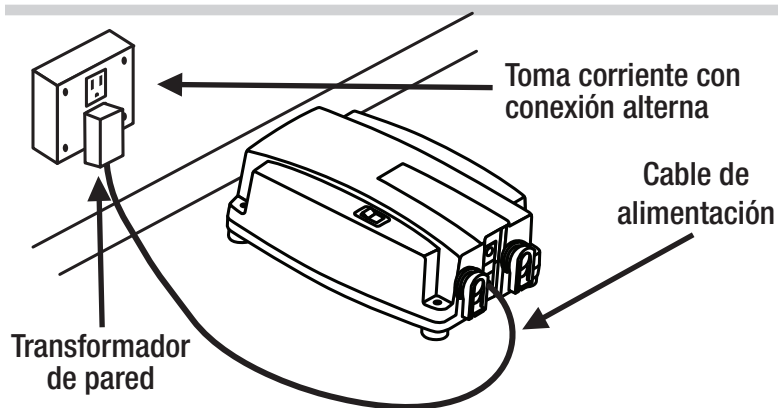
Para los modelos de 230 VCA con enchufe: Enchufe el cable de alimentación a un tomacorriente con conexión a tierra después de colocar el interruptor de balancín del sistema en la posición OFF. Asegúrese de que el enchufe provisto coincida con la configuración del tomacorriente.

ADVERTENCIA: ¡Nunca conecte el cable verde/amarillo a un terminal común o vivo!

Para los modelos de 12 VCC: Conecte el cable rojo (positivo/+) a un circuito de 4 A como mínimo y el negro (negativo/-) a la tierra o chasis de la batería. Para tramos de hasta 6,1 m (20 pies) use cable AWG 18 ó 16; para tramos de hasta 15,2 m (50 pies), use cable AWG 16 ó 14.

ADVERTENCIA ACERCA DE LA TEMPERATURA

Para obtener protección adicional, el dispositivo de corte térmico se activa a 70°C / 158°F. En condiciones de operación normales, el motor demora de 45 a 50 minutos para alcanzar esta temperatura a caudal abierto. Una vez interrumpida la alimentación de la unidad, demora 15 a 20 minutos en restablecerse. La alimentación se restablece después de que la temperatura del motor disminuya a 55°C / 131°F.



ADVERTENCIA
¡Si el cable de alimentación está dañado, debe cambiarlo únicamente un servicio autorizado por la fábrica!

PUESTA EN MARCHA DEL SISTEMA

Antes de ponerlo en servicio, el sistema dispensador de agua de botellón debe sanitizarse de acuerdo al procedimiento de mantenimiento y sanitización con limpieza in-situ de la página cinco (5). Después de montar el sistema dispensador de agua de botellón en un lugar apropiado con el tubo de succión instalado en el botellón y el tubo de descarga conectado a la entrada de agua del artefacto (o al grifo de agua potable opcional), los sistemas de 120 y 230 VCA se deben conectar a un tomacorriente con conexión a tierra y el sistema de 12 VCC se debe cablear al sistema eléctrico del vehículo o embarcación tal como se explica en la sección de instalación eléctrica. Encienda el sistema dispensador colocando el interruptor de encendido en posición ON (la luz se encenderá) y accionando la válvula de entrada de agua del artefacto o el grifo de agua potable para ventear el aire de dicho sistema. Después de evacuar el aire del sistema, cierre la válvula de entrada de agua del artefacto o el grifo de agua. La bomba se detendrá automáticamente hasta que usted abra dicha válvula o grifo. Siga las instrucciones de conexión de tuberías y operación del fabricante del percolador comercial de café o té. En los refrigeradores con dispensador de hielo únicamente, el sello de la conexión de este último debe aflojarse o desconectarse para ventear el aire atrapado en el sistema. Cuando haya agua presente en la conexión, reconéctela, apriétela y verifique que no haya pérdidas. Una vez venteadado el sistema, no es necesario ventearlo nuevamente, tampoco después de los cambios de botellón.

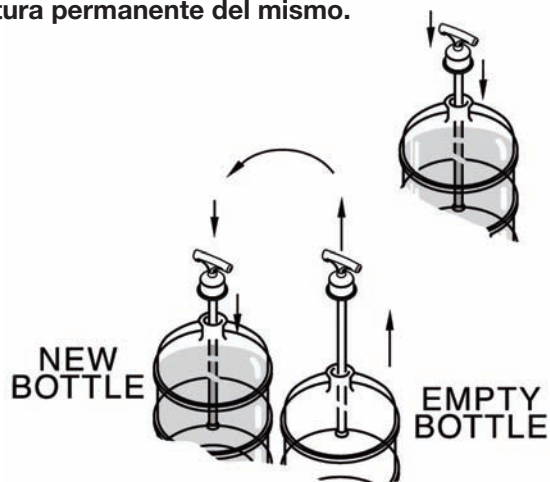
INSTALACIÓN DEL TUBO DE SUCCIÓN

Para instalar el tubo de succión en el botellón estándar de 5 galones, coloque dicho botellón cerca del sistema y retire la tapa del mismo para instalar el tubo de succión en su interior. (Nota: Si el botellón está lleno en exceso, dispense suficiente agua para permitir que el tubo de succión se instale en el fondo). Presione la tapa del botellón con el tubo de succión sobre el mismo y presione el tubo hasta el centro del fondo del botellón.

REMOCIÓN DEL TUBO DE SUCCIÓN Y CAMBIO DE BOTELLONES

Antes de retirar el tubo de succión del botellón vacío, lleve el botellón a un área abierta fuera del gabinete. Coloque el botellón nuevo junto al vacío, limpie el área del cuello y la tapa con detergente y retire la tapa. Retire el tubo de succión del botellón vacío levantando la tapa con el tubo con movimiento de balanceo, extraiga la tapa del botellón, extraiga el tubo de succión del mismo y colóquelo en el botellón nuevo deslizando la tapa sobre el cuello de este último.

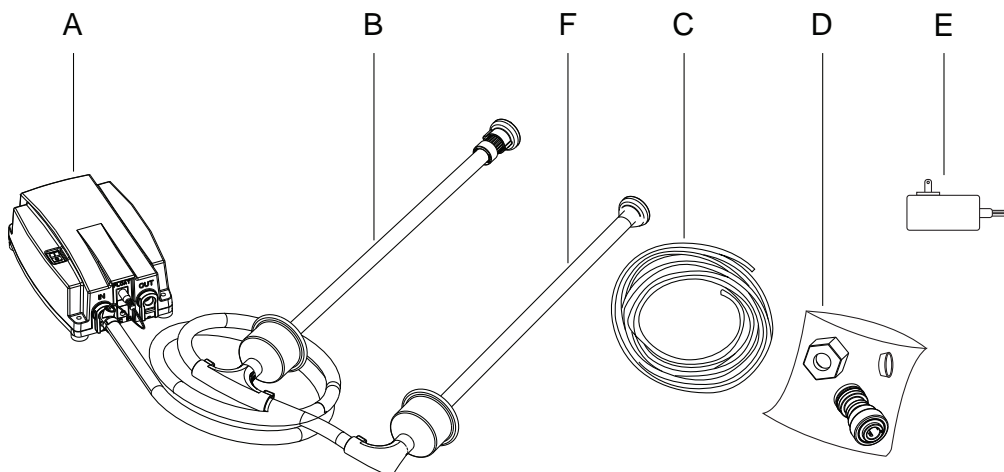
No intente retirar el tubo de succión tirando del tubo plástico blando, porque puede causar una rotura permanente del mismo.



No coloque el tubo de succión en el piso, el mostrador o el fregadero, puesto que puede contaminarse. Si el botellón está lleno en exceso, dispense suficiente agua para permitir que el tubo de succión se instale en el fondo del mismo.

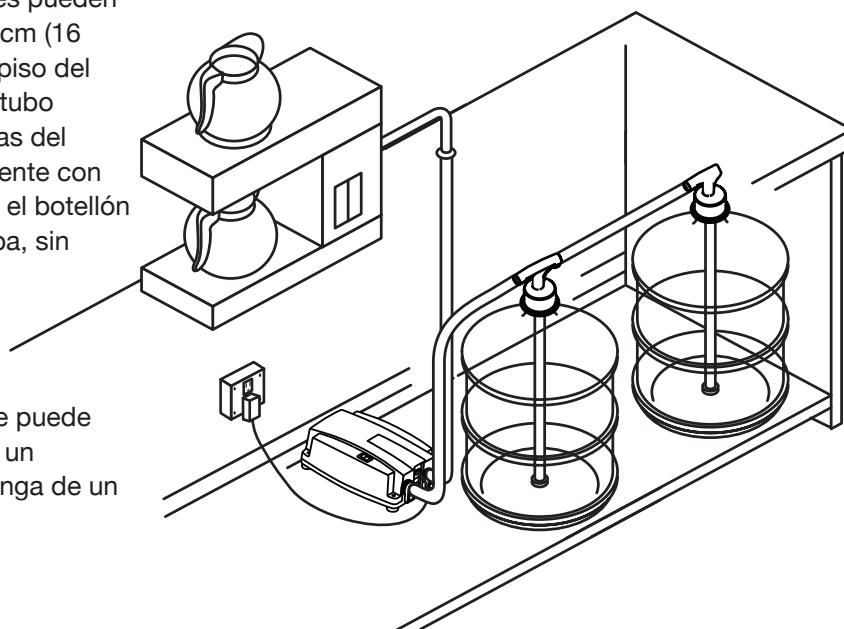
INVENTARIO DE COMPONENTES DEL SISTEMA

- A. Módulo de bomba con interruptor.
- B. Conjunto de bastón y manguera de succión.
balancín y cable de 1 m (3,3 pies)
- C. 6,1m (20 pies) de tubería de descarga de 1/4 pulg.
(6,35 mm).
- D. Accesorios de conexión:
Conector para manguera de 1/4",
tuerca, empaque.
- E. Transformador de pared.
- F. Bastón de alimentación auxiliar.



MONTAJE DEL SISTEMA

Seleccione un gabinete suficientemente grande como para alojar los dos conjuntos de botellón de 19 l (5 galones) y tubo de succión. Los dos botellones pueden colocarse con una separación máxima de 40 cm (16 pulg.) Coloque el módulo de bomba sobre el piso del gabinete con el interruptor de encendido y el tubo de succión mirando hacia afuera de las puertas del gabinete. Ubíquelo tan cerca de un tomacorriente con conexión a tierra como sea posible y coloque el botellón de cinco galones próximo al módulo de bomba, sin retorcer el tubo de succión.



El sistema dispensador de agua de botellón se puede colocar también en la despensa de la cocina, un clóset, la bodega u otro lugar donde se disponga de un tomacorriente con conexión a tierra.