



# MODEL 256 MANUAL DIAPHRAGM PUMP

## Vertical Mount

### 1 1/2" NPT PORTS



256AL-150



256BR-150

- VOLUMES TO 18 GPM
- POWERFUL VACUUM LIFTS
- DRY START LIFT TO 15'
- PUMP UP TO 50% SOLIDS
- LOW EMULSIVE & SHEER ACTION
- NON-CLOGGING FLOW THRU DESIGN
- EASY TO SET-UP, USE, CLEAN, AND MAINTAIN
- BUILT TOUGH FOR YEARS OF SERVICE
- LONG LIFE, REINFORCED PUMP DIAPHRAGMS

Edson's Model 256 Vertical Mount Manual Diaphragm Pump is a hand pump designed for the purpose of transferring liquids. With a self priming suction lift of 15 ft it can lift liquids that are well below the level of the pump. This feature combined with the 1 1/2" flow thru design make it ideal for pumping liquids with large suspended solids. "IF IT FLOWS THRU THE HOSE, IT WILL GO THRU THE PUMP."

Review the general applications listed on the next page and you will see that this pump can meet a broad range of pumping needs.

The 256 drive arm makes it easy to raise and lower the diaphragm with the 18" handle when the pump is installed on a vertical surface such as a wall. The handle socket is oriented parallel to the top of the pump providing a lower profile. If this drive arm and handle orientation is not to your liking, consider one of our other models. There are 3 other versions of this pump with different drive arm orientations.

If you need a go anywhere pump capability, see the Portable Pump Kits Model 165.

If you need increased flow rates check out the Edson 30 GPM models.

**Performance:**

Static Suction Lift .....	18ft./5.47m
Dry Suction Lift .....	15ft./4.57m
Discharge Head .....	18ft./5.47m
Max Volume .....	18 GPM/76 LPM*
	*at 46 Strokes Per Min.

**Ports Size:**

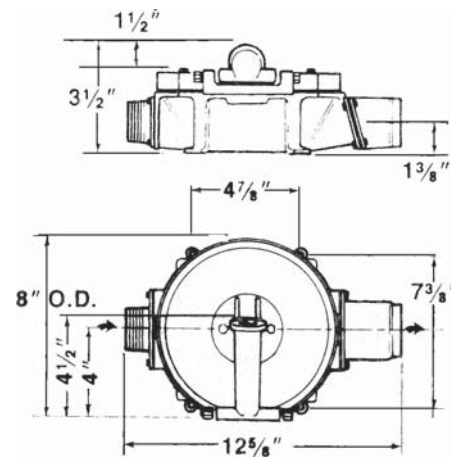
Inlet .....	1 1/2" Male NPT
Discharge .....	1 1/2" Female NPT

**Construction:**

Pump Base .....	Choice of:
(Wetted Parts)	Anodized Aluminum
	Marine Bronze

Diaphragms & Valves.....	Choice of:
	Nitrile
	Viton®

Hardware Material .....	Stainless Steel
-------------------------	-----------------



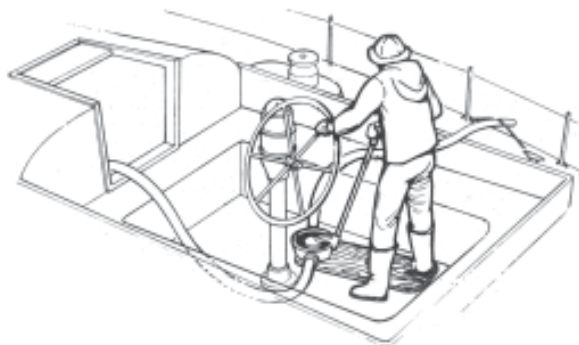
Description	Material	Port Sz	Weight Lb / Kg	Order No
Vertical Mount 18	Aluminum	1 1/2"	6.3 / 2.9	256AL-150
Vertical Mount 18	Bronze	1 1/2"	16.8 / 7.7	256BR-150
<b>Options</b>				
Diaphragm & Valves	Viton®			230-11318V

Viton® is a registered trademark of DuPont Dow Elastomers L.L.C.



**APPLICATIONS** The popularity of the Edson Manual Diaphragm Pumps is due to their size, capacity, and versatility. They are used for the collection and transfer of waste liquids and pumping liquids with suspended solids. They are capable of handling liquids with large suspended solids without clogging, to prime from dry starts, and to run dry. These basic performance features combined with the unequalled construction make them applicable to a very diverse list of applications.

**MARINE APPLICATIONS** The manual pumps can be used as bilge pumps, for holding-tank pump outs, wash-down pump, makeshift shower—or all of the above! Their worth to a blue water sailor are the ability to pump faster than a scared man with a bucket.

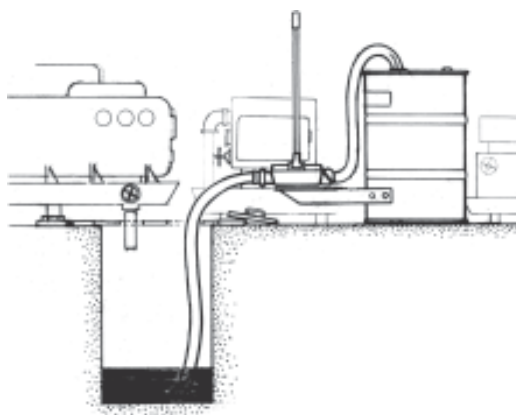


**MARINE**

- Bilge Pumps
- Emergency Dewatering
- Boatyard Utility Pump
- Oil Spill Cleanup
- Pump Out Holding Tanks

**INDUSTRIAL**

- Sump Pump-Outs
- Slurry Transfer
- Abrasive Pumping
- Oil Spill Cleanup
- Groundwater Removal



**ENVIRONMENTAL**

- Tank Pumpouts
- Grease & Oil Collections
- Skimming Pumping
- Asbestos Cleanups
- Oil-Water Separation
- Oil Spill Cleanup

**MUNICIPAL & UTILITY**

- Meter Pit Dewatering
- Manhole Dewatering Sewage
- Collection & Transfer
- Waste Water Skimming
- Drain Clean-out
- Utility Trunk Pump
- Fly Ash Cleanups
- Containment Transfer

