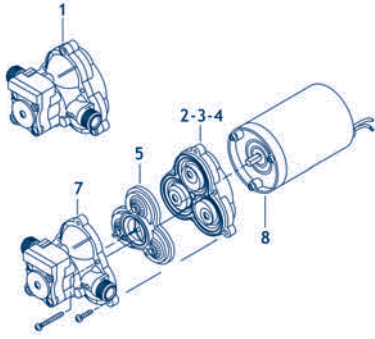


# SHURFLO REPLACEMENT PARTS

## 2088 / 2093 SERIES



Name	Model Number OEM / After Market	Pumphead Repair Kit	Lower Housing**	Valve Assembly	Check Valve	Switch & Upper Housing	Motor
		1	2	5	6	7	8
Standard	2088-423-344 / 2088-4232-244	94-236-03	94-238-04	94-232-06	94-237-00	94-231-10	77-006-07
Standard	2088-743-244 / 2088-573-354	94-236-03	94-238-04	94-232-06	94-237-00	94-231-10	77-011-07
Silencer	2093-224-313 / 2093-224-313	94-236-03	94-236-03	94-232-06	94-237-00	94-231-10	77-012-07
Deluxe	2088-733-244 / 2088-433-344	94-236-03	94-238-04	94-232-06	94-237-00	94-231-10	77-001-07
Premium	2088-712-244 / 2088-414-934	94-236-14	94-238-03	94-232-06	94-237-00	94-231-10	77-002-07
Standard Blaster	2088-732-244 / 2088-534-344	94-236-14	94-238-03	94-232-06	94-237-00	94-231-10	11-173-06
Standard Blaster	2088-752-244 / 2088-574-344	94-236-14	94-238-03	94-232-06	94-237-00	94-231-10	11-187-06
ProBlaster	2088-732-234 / 2088-534-944	94-236-14	94-238-03	94-232-06	94-237-00	94-231-10	77-001-07
Pro Baitmaster	2088-721-234 / 2088-414-734	94-236-14	94-238-03	94-232-06	94-237-00	94-231-10	77-002-07
Pro Baitmaster	2088-762-234 / 2088-574-734	94-236-14	94-238-03	94-232-06	94-237-00	94-231-10	77-004-07

CONTENTS

ENGINE  
COOLING

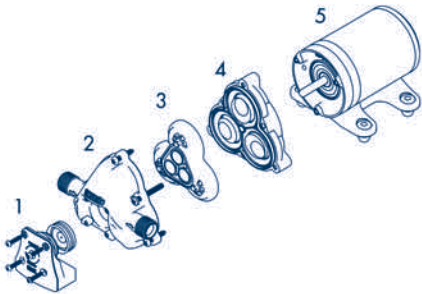
INDEX

HOME

NEXT

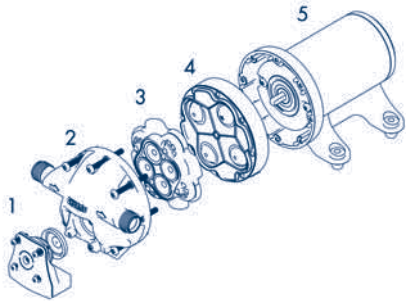
BACK

## 2900 / 3900 SERIES



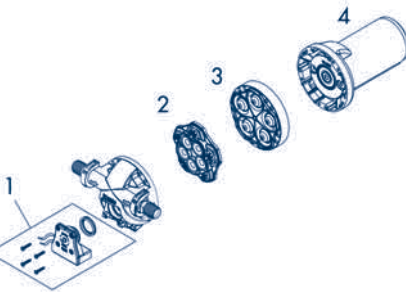
Name	Model Number OEM / After Market	Switch	Upper Housing	Valve Assembly	Drive Assembly
		1	2	3	4
Aqua King Standard	3901-0206 / 3901-1216	94-706-00	94-706-01	94-706-02	94-706-06
Aqua King Standard 24 vdc	3901-1206 / 3901-1216	94-706-00	94-706-01	94-706-02	94-706-06
Blaster	3901-2204 / 3901-2214	94-706-00	94-706-01	94-706-02	94-706-06
Blaster 24 vdc	3901-3204 / 3901-3214	94-706-00	94-706-01	94-706-02	94-706-06
Pro Blaster Junior	2901-6203 / 2901-6213	94-706-00	94-706-01	94-706-02	94-706-06
Aqua King Junior	2901-0203 / 2901-0213	94-706-00	94-706-01	94-706-02	94-706-06

## 4900 SERIES



Name	Model Number OEM / After Market	Switch	Upper Housing	Valve Assembly	Drive Assembly
		1	2	3	4
Aqua King Premium	4901-4202 / 4901-4212	94-668-00	94-670-01	94-669-00	94-670-00
Pro Blaster	4901-4292 / 4901-4282	94-668-00	94-670-01	94-669-00	94-670-00
Pro Blaster 24 vdc	4901-5292 / 4901-5282	94-668-00	94-670-01	94-669-00	94-670-00
Pro Baitmaster	4901-6202 / 4901-6212	94-668-00	94-670-01	94-669-00	94-670-00
Pro Baitmaster 24 vdc	4901-7202 / 4901-7212	94-668-00	94-670-01	94-669-00	94-670-00
Smart Sensor 4.0 12 vdc	4901-0201 / 4901-0211	-	-	94-669-00	94-670-00
Smart Sensor 4.0 24/32 vdc	4901-1201 / 4901-1211	-	-	94-669-00	94-670-00

## 5900 SERIES



Name	Model Number OEM / After Market	Switch	Valve Assembly	Drive Assembly
		1	2	3
Smart Sensor 5.7 12 vdc	5901-0201 / 5901-0211	-	94-030-01	94-030-02
Smart Sensor 5.7 24 vdc	5901-1201 / 5901-1211	-	94-030-01	94-030-02
Extreme ProBlaster 12 vdc	5901-2202 / 5901-2212	94-069-00	94-030-01	94-030-02
Extreme ProBlaster 24 vdc	5901-3202 / 5901-3212	94-069-00	94-030-01	94-030-02
Extreme ProBlaster 32 vdc	5901-4202 / 5901-4212	94-069-00	94-030-01	94-030-02