

NDP-15 Specifications

1/2" Port (15 GPM Max. Capacity)

Port Dimensions

Intake & discharge connection:

Polypropylene (PPG) ■	1/2" Female NPT
Kynar (PVDF) ◆	1/2" Female NPT
Groundable Acetal ◆	1/2" Female NPT
Aluminum (ADC-12) ▲	1/2" Female NPT
Stainless Steel (316) ▲	1/2" Female NPT
Air inlet (includes ball valve):	1/4" Female NPT
Air exhaust (internal silencer):	3/8" Female NPT

- Polypropylene pumps may be fitted with ball or flat check valves. Ball-type check valves are recommended for flooded suction applications. Flat-type check valves are recommended for suction lift applications.
- ◆ Kynar and Groundable Acetal pumps are fitted with flat check valves only.
- ▲ Aluminum and Stainless Steel pumps are fitted with ball check valves only.

Maximum Liquid Temperature*

Diaphragm Material	Temperature
Neoprene	180°F (82°C)
Buna N	180°F (82°C)
Hytrel	248°F (120°C)
Santoprene	225°F (107°C)
Viton	248°F (120°C)
Teflon (PTFE)	212°F (100°C)

*Polypropylene and Groundable Acetal pumps have a maximum liquid temperature of 180°F (82°C) regardless of diaphragm material. Kynar pumps have a maximum temperature of 248°F (120°C) when fitted with Hytrel or Viton diaphragms.

Air Supply Pressure (All Models)

20–100 PSI (1.4–7 kgf/cm)

Discharge Volume Per Cycle

Flat-type check valve: 0.0375 gallons (138 cc)
Ball-type check valve: 0.031 gallons (119 cc)

Maximum Cycles Per Minute

All diaphragms: 400

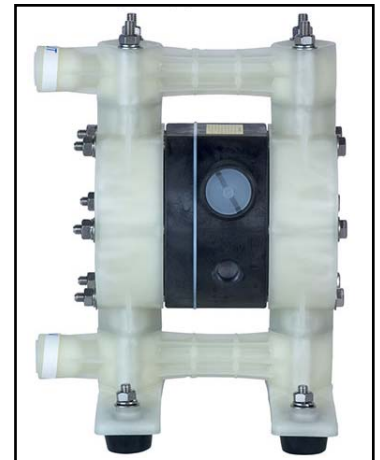
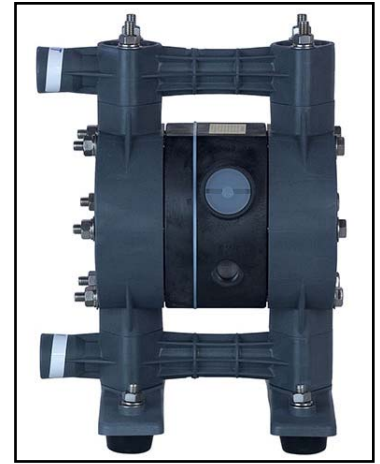
Maximum Size Solid: 1/32" (1 mm)

Maximum Dry Suction Lift

Flat-type check valve: 8-feet
Ball-type check valve: 5-feet

Pump Air Motor: Ryton air motor standard

Notes: Hytrel-fitted pumps include Buna N check balls & wetted o-rings. Santoprene-fitted pumps include EPDM check balls & wetted o-rings.



Aluminum

Dimensions: 8.66" W × 10.71" H
Net Wt.: 9 lbs. (4 kg)
Shipping Wt.: 11 lbs.

Kynar (PVDF)

Dimensions: 8.66" W × 11.73" H
Net Wt.: 9.4 lbs. (4.2 kg)
Shipping Wt.: 11 lbs.

Groundable Acetal

Dimensions: 8.66" W × 11.73" H
Net Wt.: 9 lbs. (4 kg)
Shipping Wt.: 11 lbs.

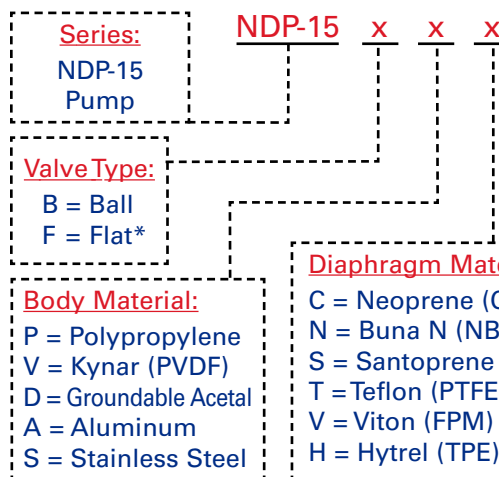
Polypropylene

Dimensions: 8.66" W × 11.73" H
Net Wt.: 7.7 lbs. (3.5 kg)
Shipping Wt.: 9.5 lbs.

Stainless Steel

Dimensions: 8.31" W × 9.7" H
Net Wt.: 13.6 lbs. (6.16 kg)
Shipping Wt.: 15.5 lbs.

Model Number Nomenclature



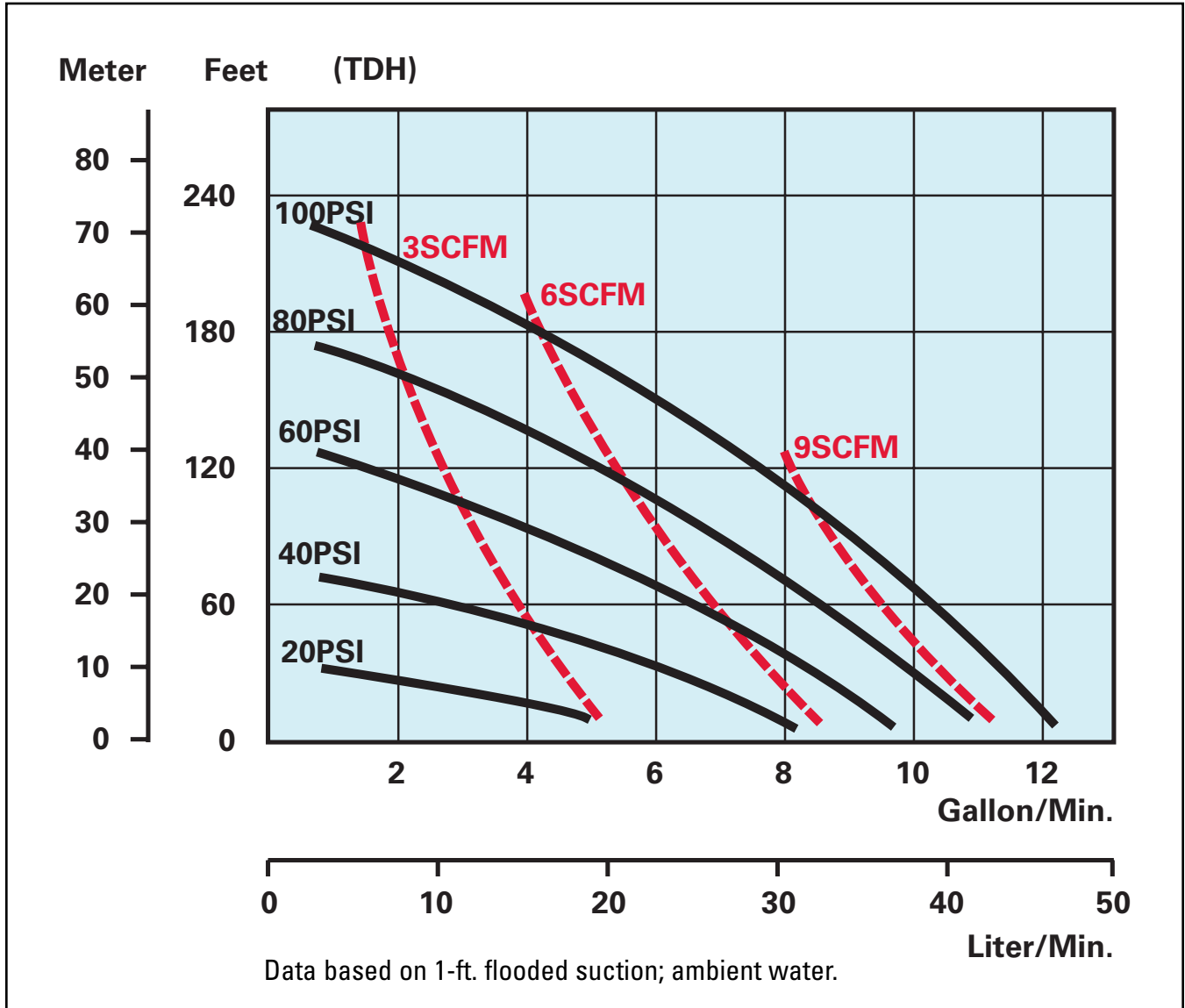
* Flat valves are available for plastic pumps only.



Yamada America, Inc. 1200 Nuclear Drive, West Chicago, Illinois 60185
 USA Toll-Free: 800 990-7867 Phone: 630 231-4083 Fax: 630 231-7405
 E-mail: sales@yamadapump.com Web: yamadapump.com

NDP-15 Performance Curve — Ball Valve

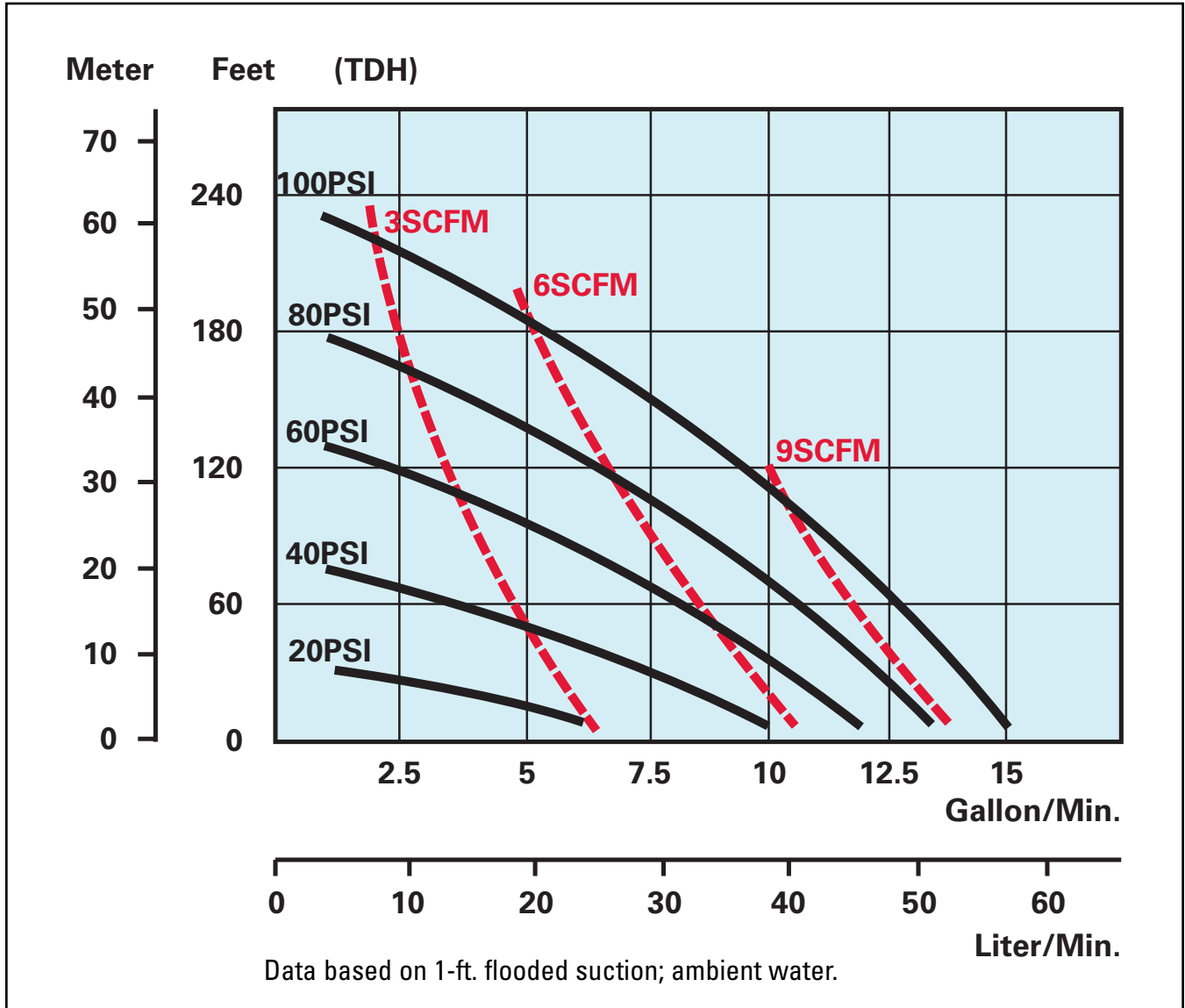
All Diaphragm Materials



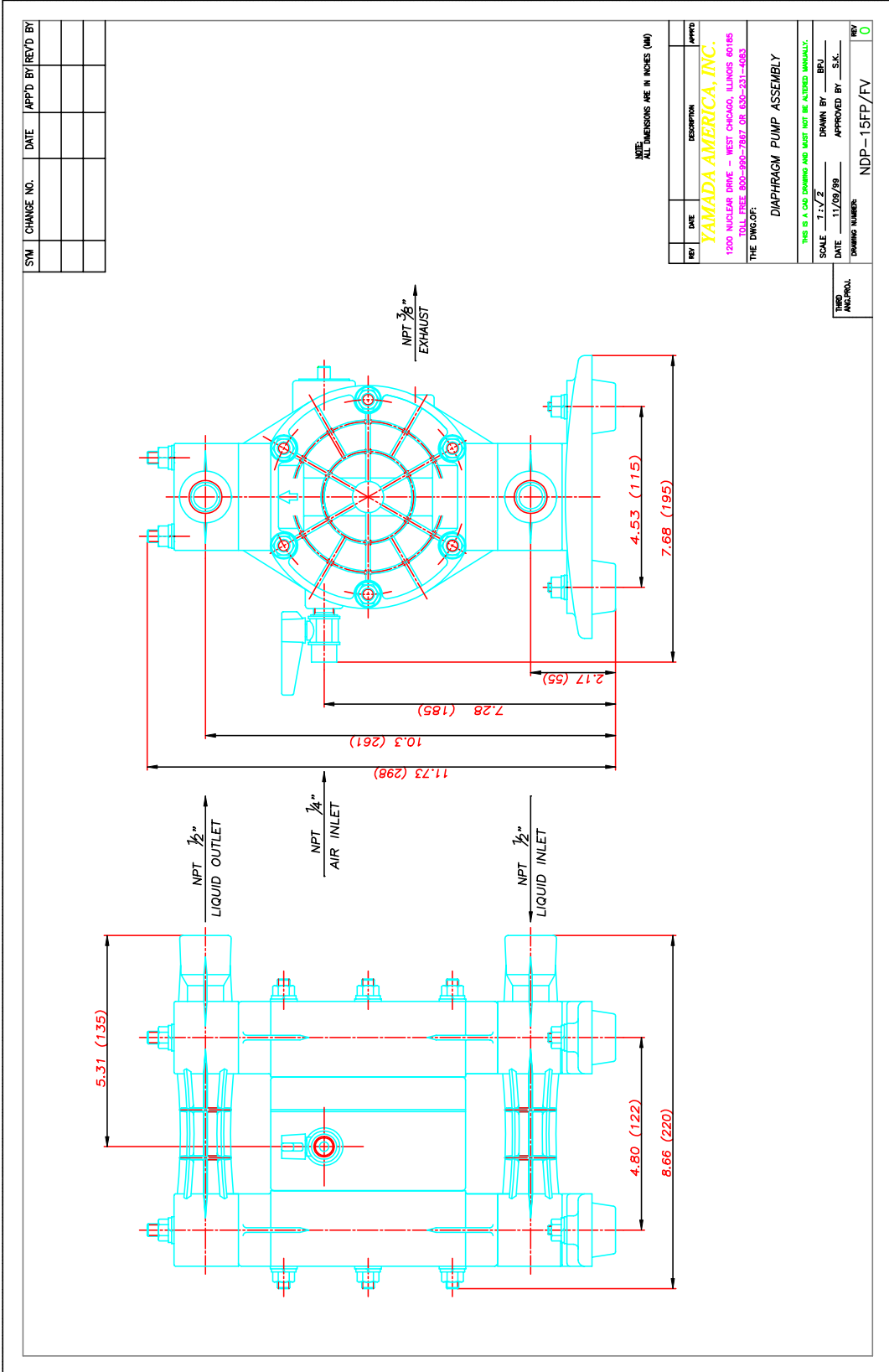
To calculate performance for Santoprene and Hytrel-fitted pumps, use Rubber Diaphragm Curve.

NDP-15 Performance Curve — Flat Valve

All Diaphragm Materials



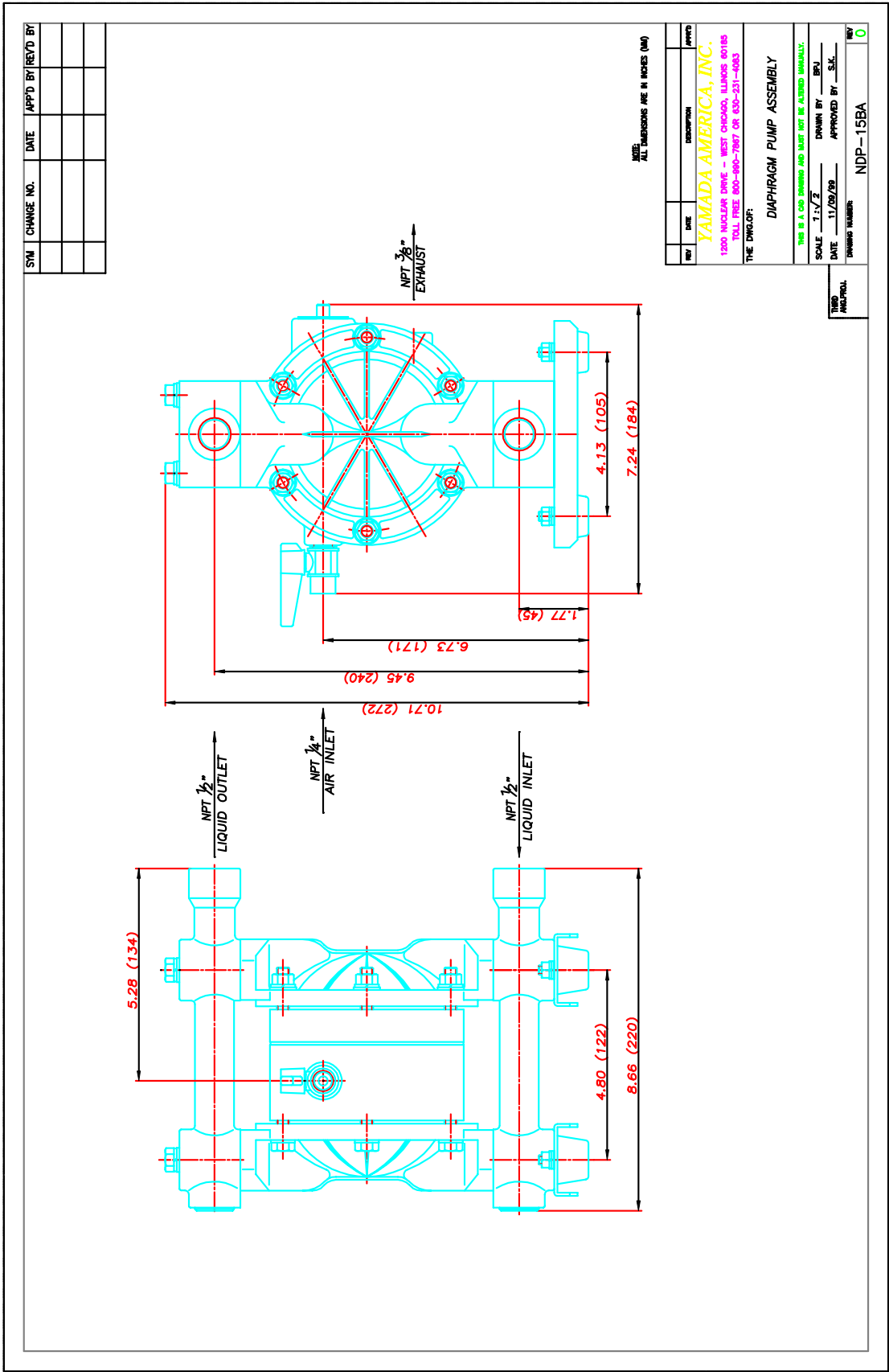
To calculate performance for Santoprene and Hytrel-fitted pumps, use Rubber Diaphragm Curve.



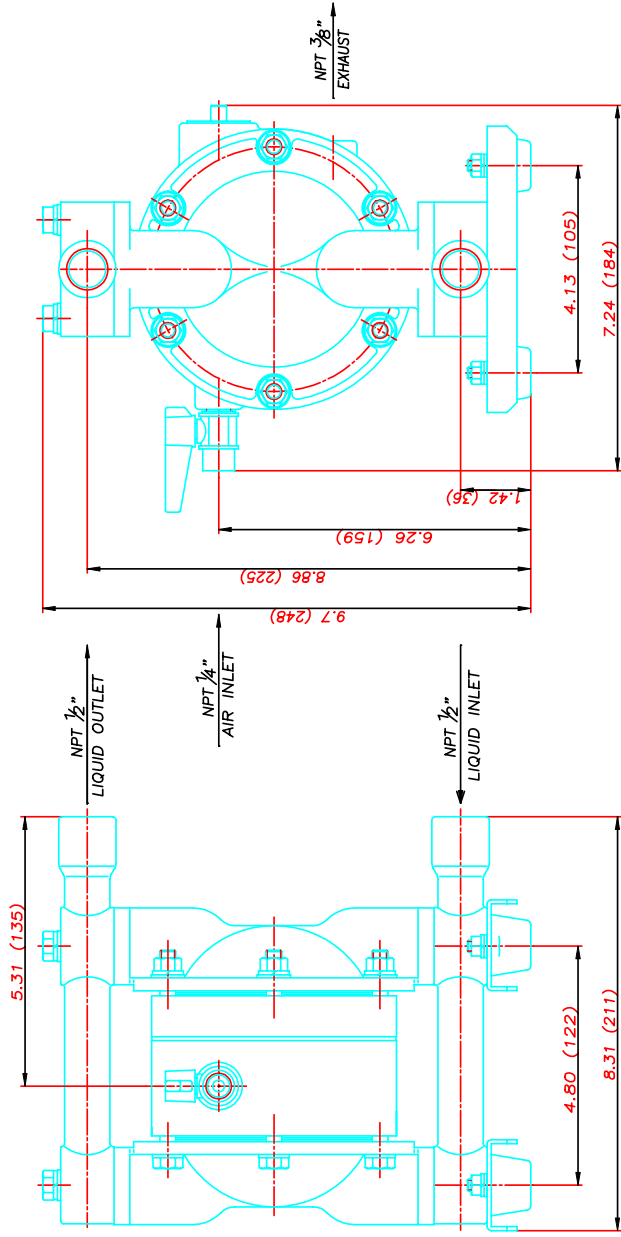
NOTE:
ALL DIMENSIONS ARE IN INCHES (MM)

REV	DATE	DESCRIPTION	APPROVED
		YAMADA AMERICA, INC. 1200 NUCLEAR DRIVE - WEST CHICAGO, ILLINOIS 60185 PHONE: 800-990-7867 OR 630-231-4083	
		THE DRAWING: DIAPHRAGM PUMP ASSEMBLY	
THIS IS A CAD DRAWING AND MUST NOT BE ALTERED MANUALLY.			
SCALE: 1:1/2		DRAWN BY: EBU	
DATE: 11/09/99		APPROVED BY: S.K.	
DRAWING NUMBER: NDP-15FP/EV			

SYM	CHANGE NO.	DATE	APP'D BY/REV'D BY



SYM	CHANGE NO.	DATE	APP'D BY	REV'D BY



NOTE:
ALL DIMENSIONS ARE IN INCHES (MM)

REV	DATE	DESCRIPTION	APP'D

YAMADA AMERICA, INC.
 1200 NUCLEAR DRIVE - WEST CHICAGO, ILLINOIS 60185
 TOLL FREE 800-990-7867 OR 630-231-4083

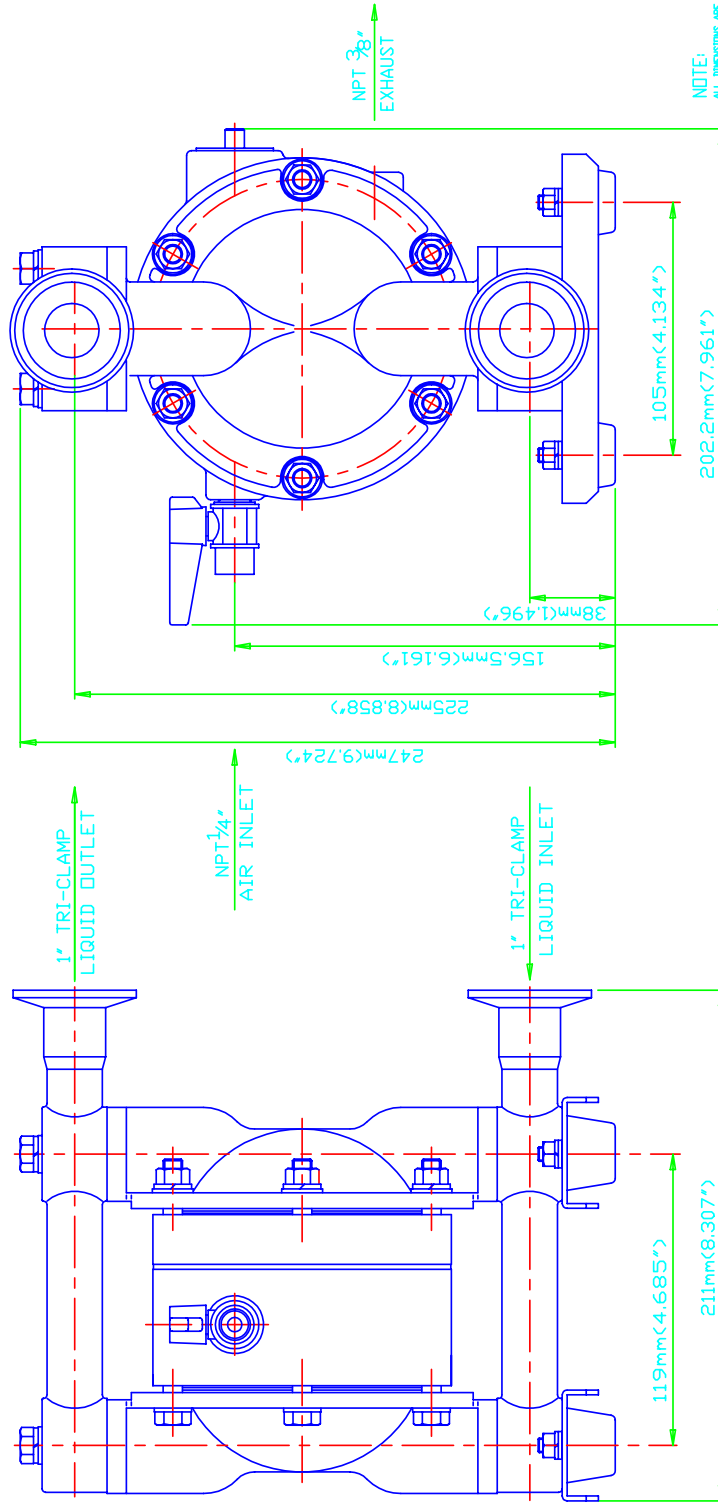
THE DWG. OF: **DIAPHRAGM PUMP ASSEMBLY**

THIS IS A CAD DRAWING AND MUST NOT BE ALTERED MANUALLY.
 SCALE: 1:1
 DRAWN BY: BFW
 DATE: 11/09/98
 APPROVED BY: S.K.

THIS DRAWING IS CONTROLLED BY: **NDP-15BS**

REV: **0**





MODEL NUMBER = NDP-15BS FDA

REV	DATE	DESCRIPTION	APPROV
		YAMADA AMERICA INC. 1600 NUCLEAR DRIVE - WEST CHICAGO, ILLINOIS 60185 TOLL FREE 800-990-7867 DR 630-231-4083	
		PART NO. NDP-15BS <input type="checkbox"/> FDA	
		DESCRIPTION: DIAPHRAM PUMP ASSEMBLY	
		THIS IS A CAD DRAWING AND MUST NOT BE ALTERED MANUALLY.	
		SCALE: 1"=2.66"	
		DRAWN BY: _____	
		APPROVED BY: _____	
		DATE: _____	
		DRAWING NUMBER: _____	
		REV: _____	

CAD DWG FILE: YAS1716

