

# NDP-5 Specifications

**1/4" Port Size (3.4 GPM Max. Capacity)**

## Port Dimensions

Intake & discharge 1/4" Female NPT

Air inlet (incl. ball valve): 1/4" Female NPT

Air exhaust (internal silencer): 3/8" Female NPT

## Maximum Liquid Temperature

Fitted with Teflon® (PTFE) diaphragm

Pump Material	Temperature
Polypropylene (PPG)	180°F (82°C)
Kynar® (PVDF)	212°F (100°C)
Groundable Acetal	180°F (82°C)
Aluminum (ADC-12)	212°F (100°C)
Stainless Steel (316)	212°F (100°C)

## Air Supply Pressure (All Models)

20–100 PSI (1.4–7 kgf/cm)

## Discharge Volume Per Cycle

0.0085 gallons (35 cc)

**Maximum Cycles Per Minute:** 400

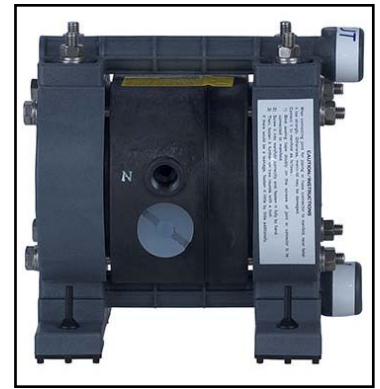
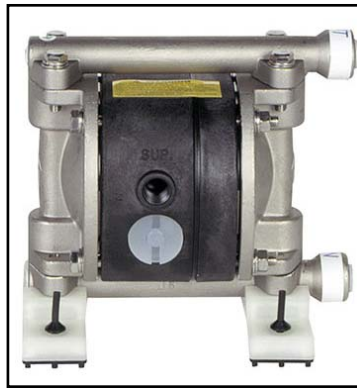
**Maximum Dry Suction Lift:** 5-feet

## Pump Air Motor

Ryton® air motor standard

## Model Number Nomenclature

Polypropylene (PPG)	NDP-5FPT
Kynar® (PVDF)	NDP-5FVT
Groundable Acetal	NDP-5FDT
Aluminum (ADC-12)	NDP-5FAT
Stainless Steel (316)	NDP-5FST



### Aluminum

**Dimensions:** 6.1" W × 5.87" H

**Net Wt.:** 3.3 lbs. (1.5 kg)

**Shipping Wt.:** 4.3 lbs.

### Stainless Steel

**Dimensions:** 6.1" W × 5.87" H

**Net Wt.:** 5.9 lbs. (2.68 kg)

**Shipping Wt.:** 6.9 lbs.

### Kynar (PVDF)

**Dimensions:** 6.14" W × 5.79" H

**Net Wt.:** 3.7 lbs. (1.67 kg)

**Shipping Wt.:** 4.7 lbs.

### Groundable Acetal

**Dimensions:** 6.14" W × 5.79" H

**Net Wt.:** 3.7 lbs. (1.67 kg)

**Shipping Wt.:** 4.7 lbs.

### Polypropylene

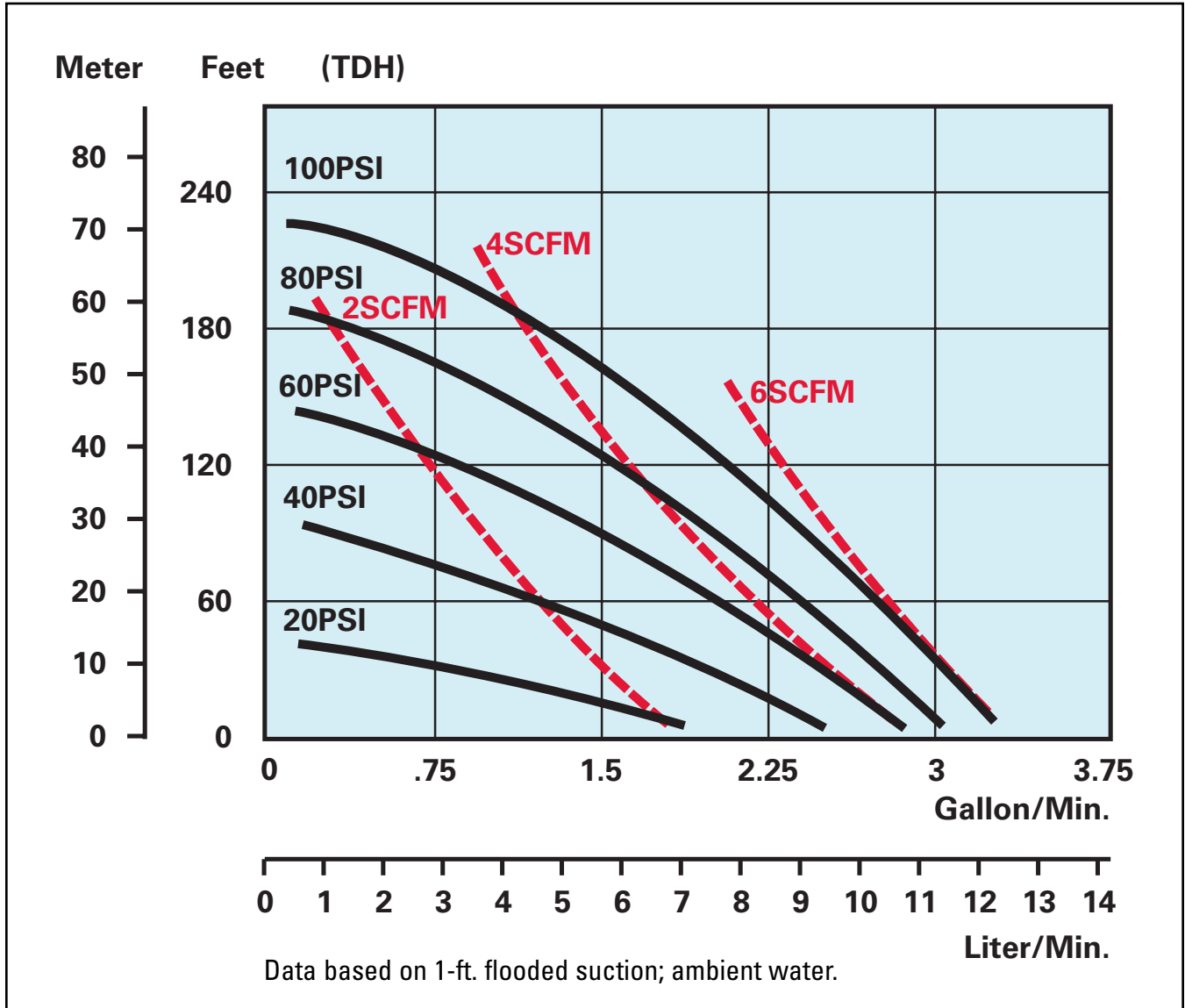
**Dimensions:** 6.14" W × 5.79" H

**Net Wt.:** 3.0 lbs. (1.36 kg)

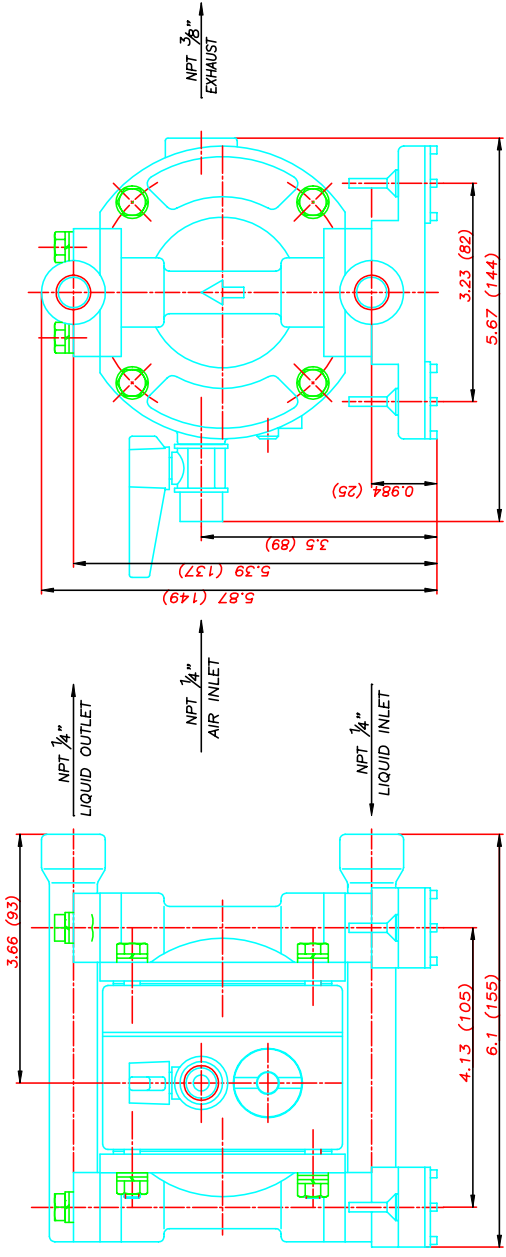
**Shipping Wt.:** 4 lbs.

# NDP-5 Performance Curve

## All Diaphragm Materials



SYM	CHANGE NO.	DATE	APP'D BY	REV'D BY



NOTE:  
ALL DIMENSIONS ARE IN INCHES (MM)

REV	DATE	DESCRIPTION	APP'D

**YAMADA AMERICA, INC.**  
 1200 NUCLEAR DRIVE - WEST CHICAGO, ILLINOIS 60185  
 TOLL FREE 800-990-7867 OR 630-231-4083

THE DWG. OF:  
**DIAPHRAGM PUMP ASSEMBLY**

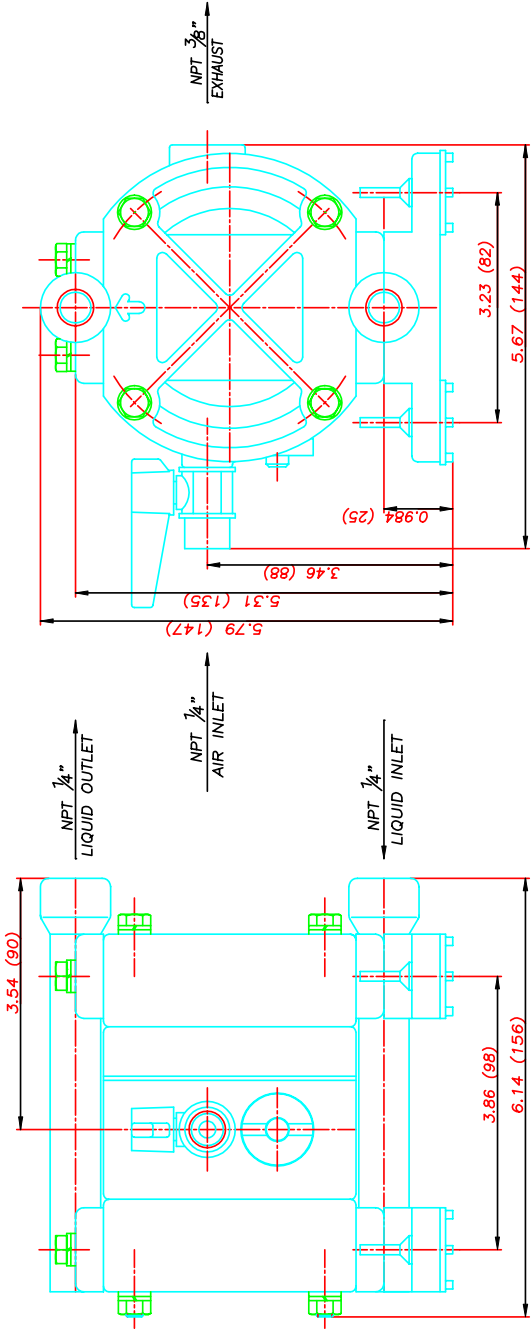
THIS IS A CAD DRAWING AND MUST NOT BE ALTERED MANUALLY.

SCALE: 1:1/2  
 DRAWN BY: EBU  
 DATE: 11/09/99  
 APPROVED BY: S.K.

THIRD ANGLE PROJ.  
 DRAWING NUMBER: NDP-5 (METAL)  
 REV: 0



SYM	CHANGE NO.	DATE	APP'D BY	REV'D BY



NOTE:  
ALL DIMENSIONS ARE IN INCHES (MM)

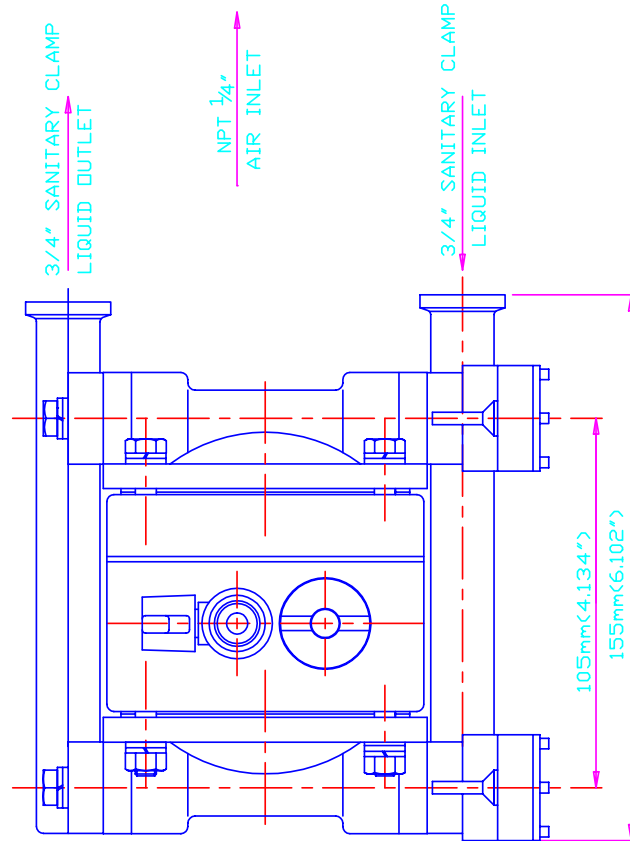
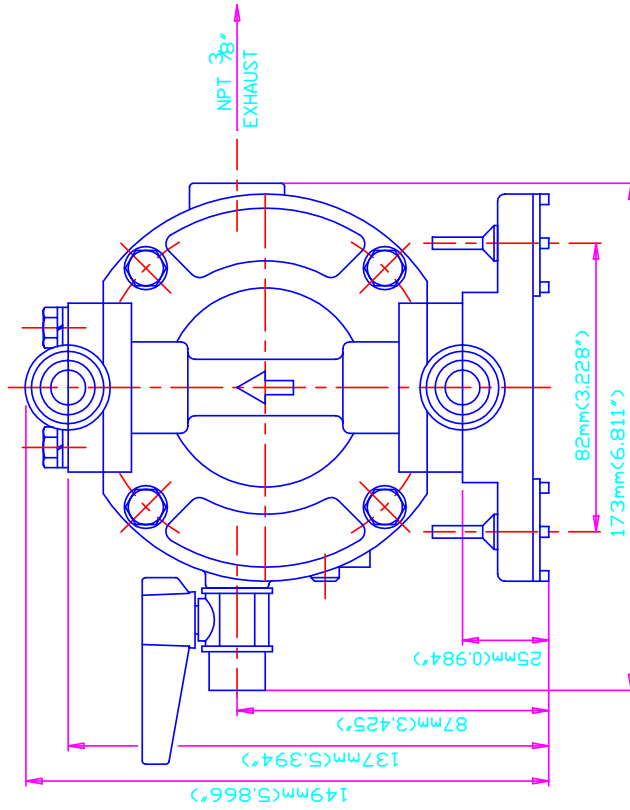
REV	DATE	DESCRIPTION	APP'D

**YAMADA AMERICA, INC.**  
1200 NUCLEAR DRIVE - WEST CHICAGO, ILLINOIS 60185  
TOLL FREE 800-990-7867 OR 630-231-4083

THE DWG. OF:  
**DIAPHRAGM PUMP ASSEMBLY**

THIS IS A CAD DRAWING AND MUST NOT BE ALTERED MANUALLY.  
SCALE: 1:1  
DATE: 11/09/99  
DRAWN BY: BFL  
APPROVED BY: S.K.  
DRAWING NUMBER: NDP-5 (PLASTIC)  
REV: 0





NOTE:  
ALL DIMENSIONS ARE IN MILLIMETERS  
(CHOICES IN PARENTHESES)

REV	DATE	DESCRIPTION	APP'D
<b>YAMADA AMERICA INC.</b> 1800 NUCLEAR DRIVE, WEST CHICAGO, IL 60185			
PART NO: <b>NDP-5FST-FDA</b> DESCRIPTION: <b>DIAPHRAGM PUMP ASSEMBLY</b>			
THIS IS A CAD DRAWING AND MUST NOT BE ALTERED MANUALLY. SCALE: 1"=3.15"    DRAWN BY: _____ DATE: _____    APPROVED BY: _____ DRAWING NUMBER: _____    REF: _____			
CAD DWG FILE: YAM07027			TRD MGR/ROLL

MODEL NUMBER = NDP-5FST-FDA

