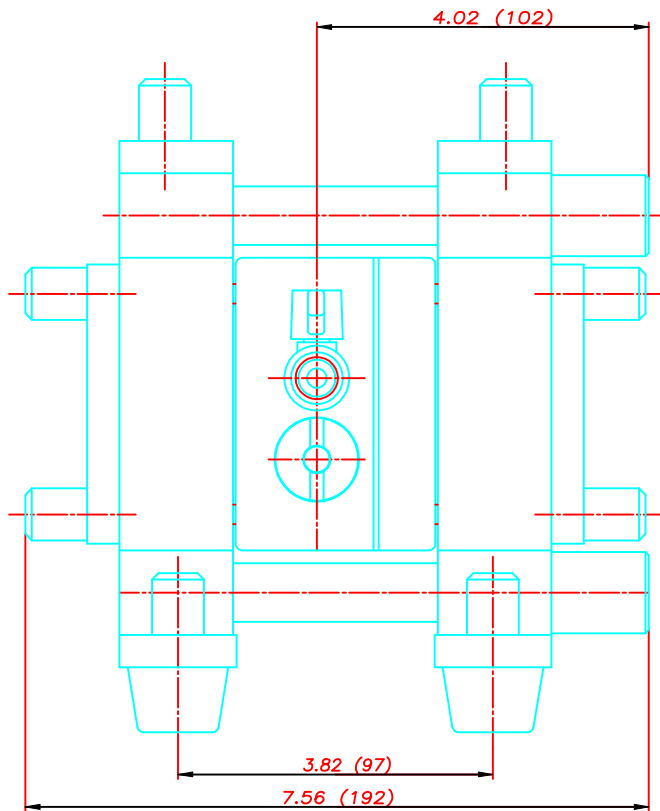


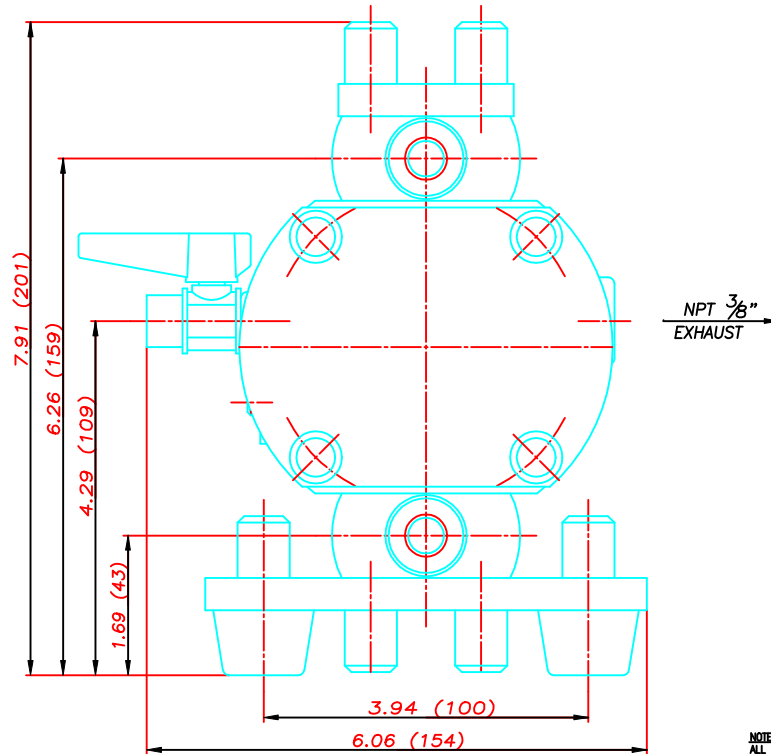
SYM	CHANGE NO.	DATE	APP'D BY	REV'D BY



NPT 1/4"
LIQUID OUTLET

NPT 1/4"
AIR INLET

NPT 1/4"
LIQUID INLET



NOTE:
ALL DIMENSIONS ARE IN INCHES (mm)

REV	DATE	DESCRIPTION	APP'D

YAMADA AMERICA, INC.
1200 NUCLEAR DRIVE - WEST CHICAGO, ILLINOIS 60185
TOLL FREE 800-990-7867 OR 630-231-4083

THE DWG.OF:
DIAPHRAGM PUMP ASSEMBLY

THIS IS A CAD DRAWING AND MUST NOT BE ALTERED MANUALLY.

SCALE 1:√2 DRAWN BY BPJ
DATE 02/16/00 APPROVED BY S.K.

THIRD ANG.PROJ. DRAWING NUMBER: DP-5F NPT REV 0