

DP Series Specifications

DP-10 Port Dimensions

3/8" Port (6 GPM Max. Capacity)

Intake & discharge connection:

Polypropylene (PPG)	3/8" Female NPT
Aluminum (ADC-12)	3/8" Female NPT
Stainless Steel (316)	3/8" Female NPT

DP-15 Port Dimensions

1/2" Port (8 GPM Max. Capacity)

Intake & discharge connection:

Polypropylene (PPG)	1/2" Female NPT
Groundable Acetal	1/2" Female NPT

Air Inlet/Exhaust

Air inlet (incl. ball valve):	1/4" Female NPT
Air exhaust (incl. silencer):	3/8" Female NPT

Maximum Liquid Temperature*

Diaphragm Material	Temperature
Neoprene	180°F (82°C)
Buna N	180°F (82°C)
Hytrel®	248°F (120°C)
Santoprene®	225°F (107°C)
Viton®	248°F (120°C)
Teflon (PTFE)	212°F (100°C)

*Polypropylene and Groundable Acetal pumps have a maximum liquid temperature of 180°F (82°C) regardless of diaphragm material.

Air Supply Pressure (All Models)

20–100 PSI (1.4–7 kgf/cm)

Discharge Volume Per Cycle

DP-10: 0.020 gallons (74 cc)
DP-15: 0.027 gallons (102 cc)

Maximum Cycles Per Minute

All diaphragms: 300

Maximum Size Solid

1/32" (1 mm)

Maximum Dry Suction Lift

All diaphragms: 10-feet

Aluminum Air Motor—Standard

Optional: Epoxy-coated, Teflon-coated, or Electroless Nickel Plate

Notes: Hytrel-fitted pumps include Buna N check balls & wetted o-rings. Santoprene-fitted pumps include EPDM check balls & wetted o-rings.



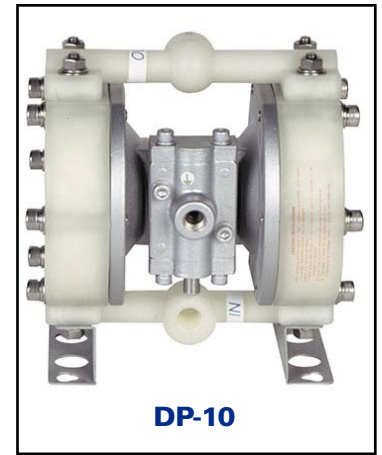
DP-10

Aluminum

Dimensions: 7.32" W x 9.49" H
Net Wt.: 7.9 lbs. (3.6 kg)
Shipping Wt.: 9.9 lbs.

Stainless Steel

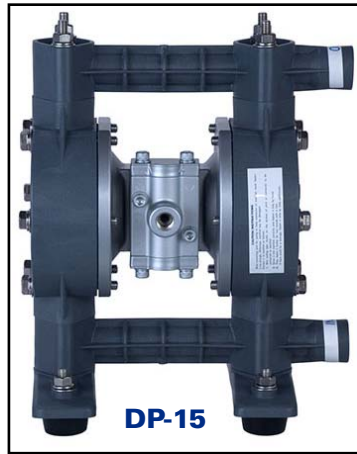
Dimensions: 7.32" W x 9.49" H
Net Wt.: 11.7 lbs. (5.3 kg)
Shipping Wt.: 13.7 lbs.



DP-10

Polypropylene

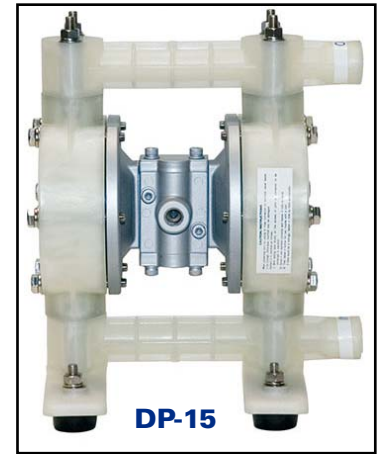
Dimensions: 7.72" W x 7.72" H
Net Wt.: 6.8 lbs. (3.1 kg)
Shipping Wt.: 8.8 lbs.



DP-15

Groundable Acetal

Dimensions: 9.68" W x 11.69" H
Net Wt.: 9 lbs. (4 kg)
Shipping Wt.: 12 lbs.

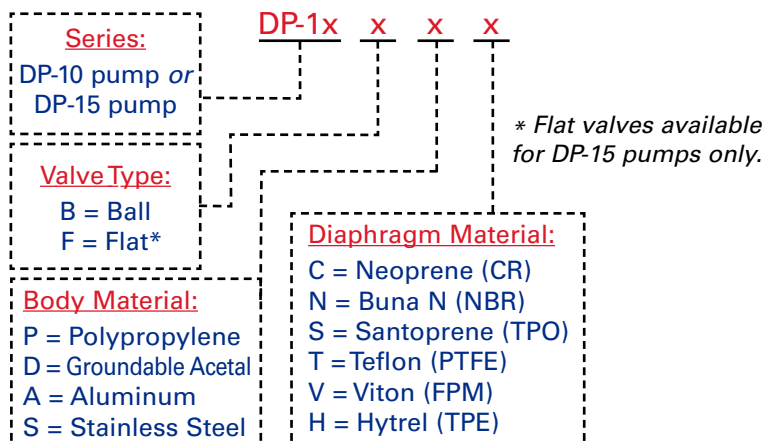


DP-15

Polypropylene

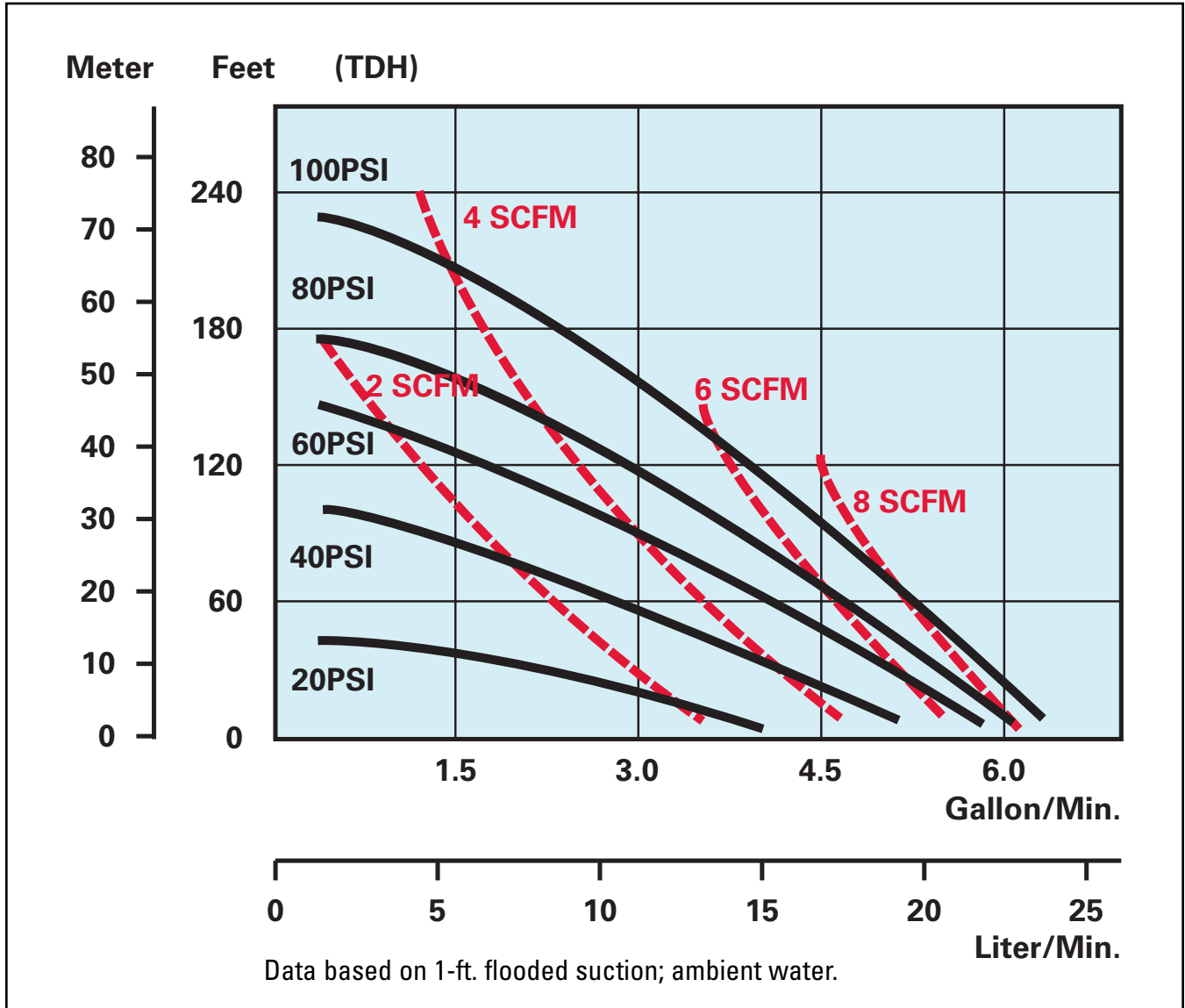
Dimensions: 9.68" W x 11.69" H
Net Wt.: 9 lbs. (4 kg)
Shipping Wt.: 12 lbs.

Model Number Nomenclature



DP-10 Performance Curve

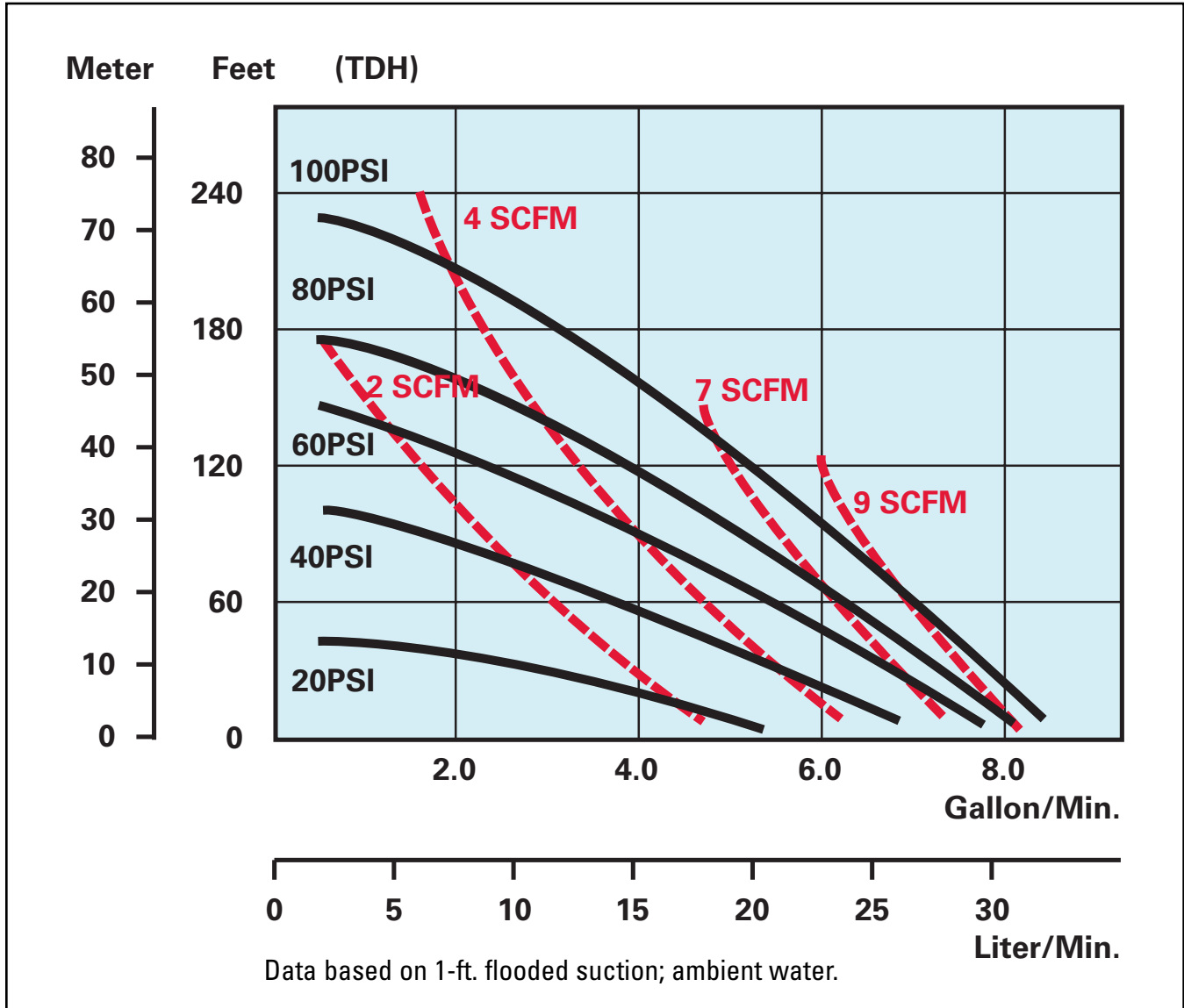
All Diaphragm Materials



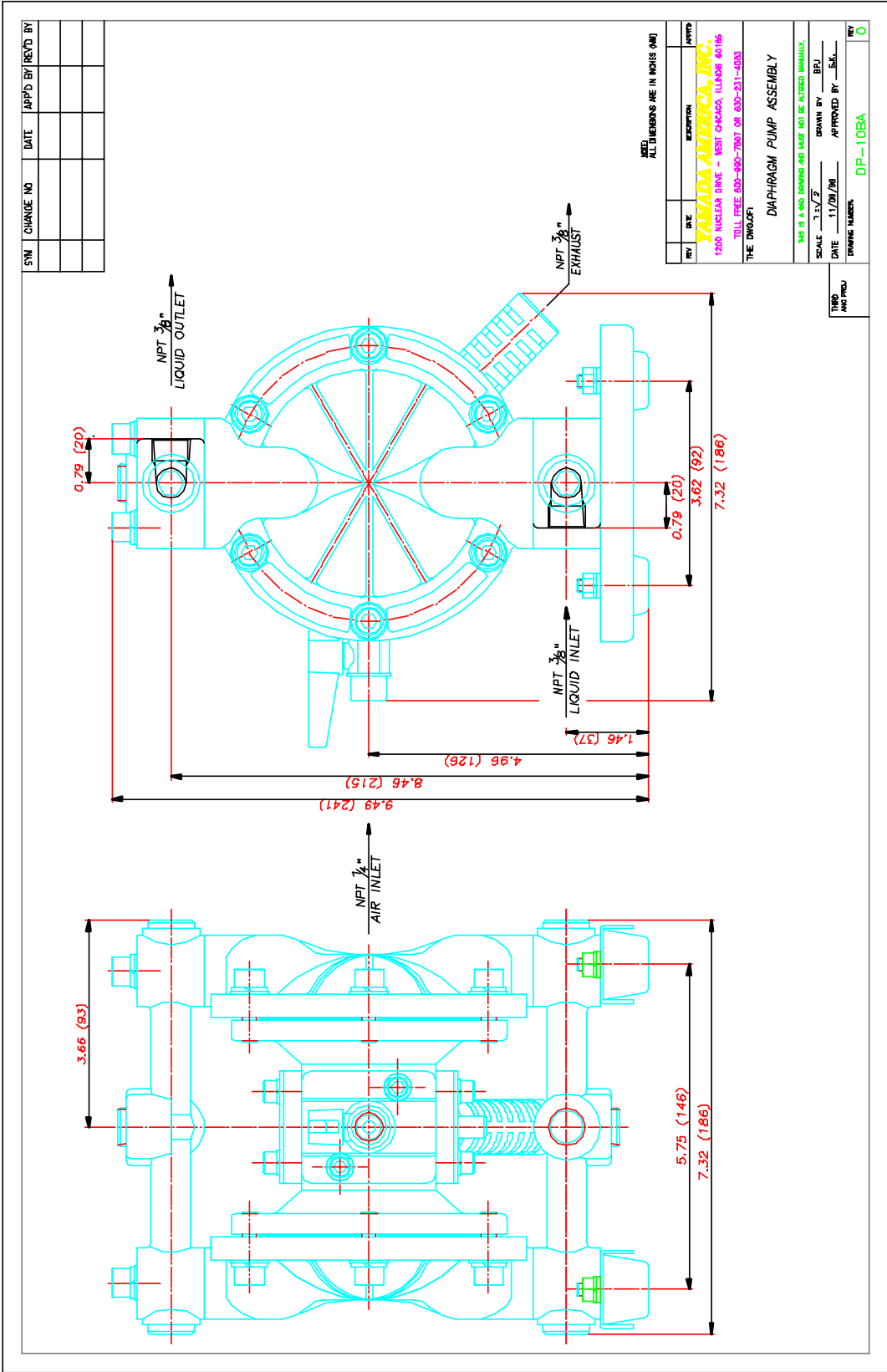
To calculate performance for Santoprene and Hytrel-fitted pumps, use Rubber Diaphragm Curve.

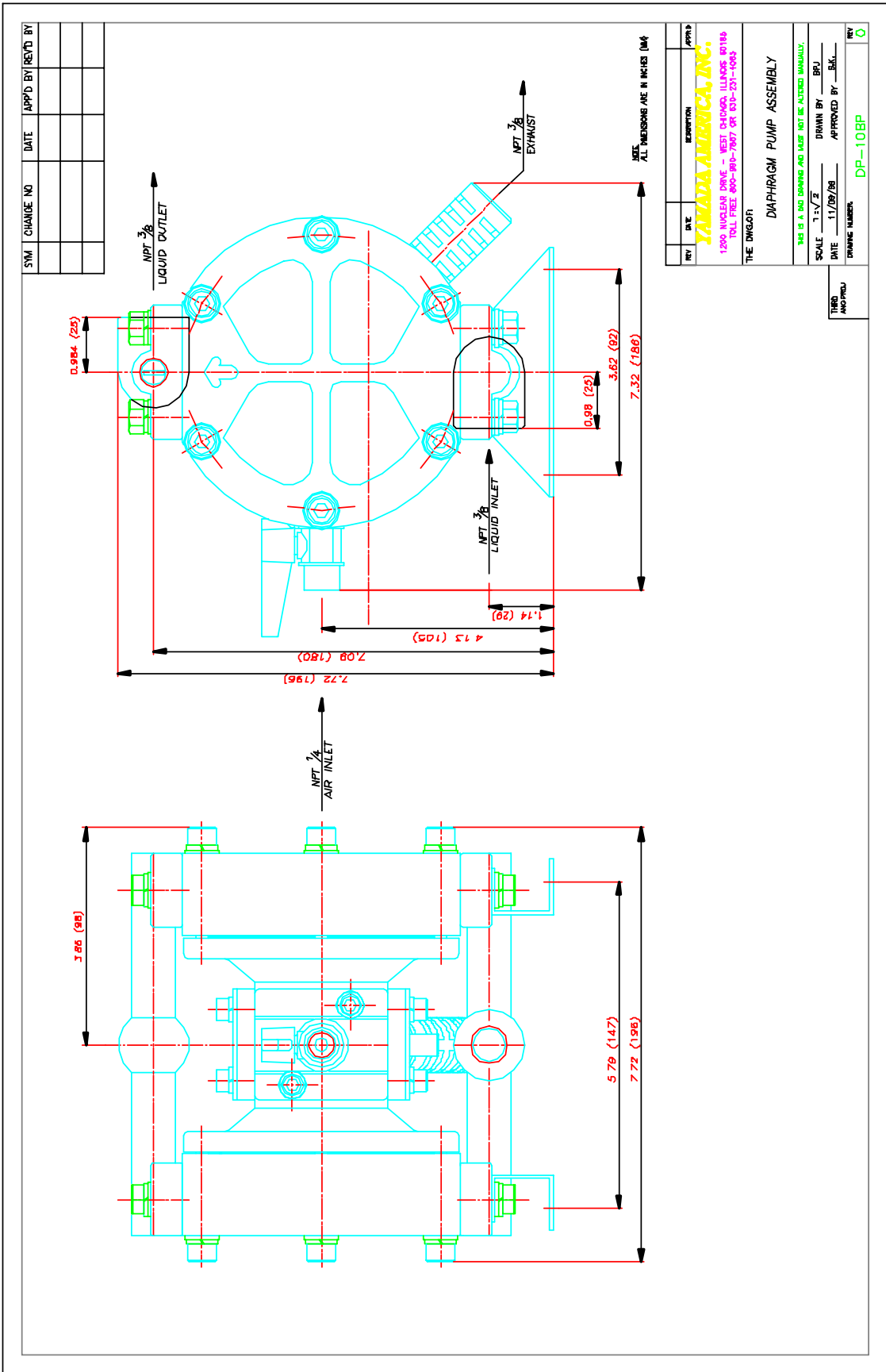
DP-15 Performance Curve

All Diaphragm Materials



To calculate performance for Santoprene and Hytrel-fitted pumps, use Rubber Diaphragm Curve.



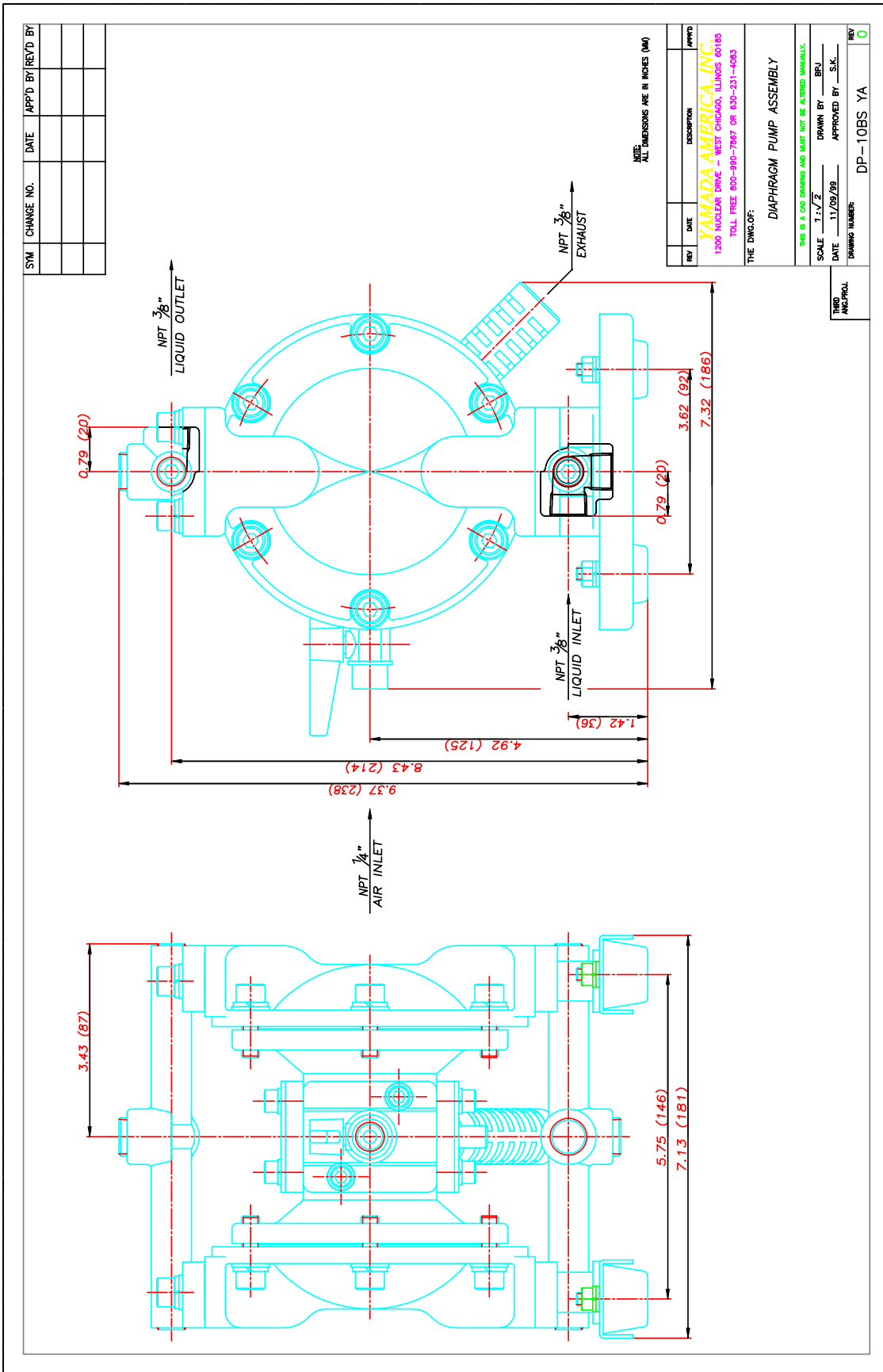


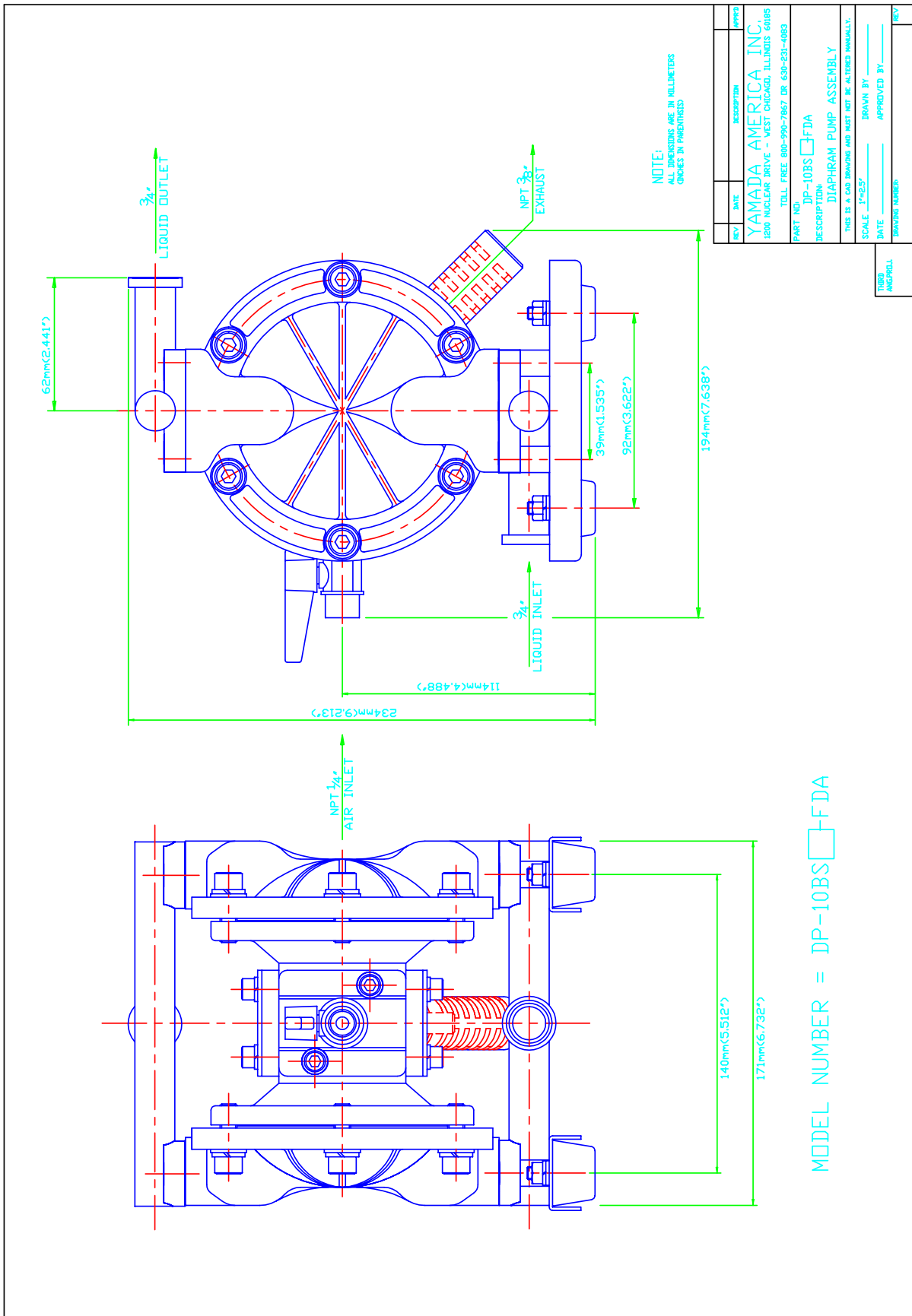
REV	DATE	DESCRIPTION	APPROV

YAMADA AMERICA, INC.
 1200 NUCLEAR DRIVE - WEST CHICAGO, ILLINOIS 60186
 TOLL FREE 800-990-7867 OR 630-231-4083

THE DRAWING:
DIAPHRAGM PUMP ASSEMBLY

THIS IS A 3D DRAWING AND MUST BE ASSEMBLED MANUALLY.
 SCALE: 1:1/2"
 DRAWN BY: BRJ
 DATE: 11/09/08
 APPROVED BY: SKL
 DRAWING NUMBER: DP-108P
 REV: 0





REV	DATE	DESCRIPTION	APPROV
		YAMADA AMERICA, INC. 1200 NUCLEAR DRIVE - WEST CHICAGO, ILLINOIS 60185 TOLL FREE 800-990-7867 DR 630-231-4083	
		PART NO. DP-10BS□-FDA	
		DESCRIPTION: DIAPHRAM PUMP ASSEMBLY	
		THIS IS A CAD DRAWING AND MUST NOT BE ALTERED MANUALLY.	
		SCALE: 1"=2.5"	
		DRAWN BY: _____	
		DATE: _____	
		APPROVED BY: _____	
		DRAWING NUMBER: _____	
		TRD	
		ANGROLL	
		REV	

CAD DWG FILE: YAS2713



Yamada America, Inc. 1200 Nuclear Drive, West Chicago, Illinois 60185
 USA Toll-Free: 800 990-7867 Phone: 630 231-4083 Fax: 630 231-7405
 E-mail: sales@yamadapump.com Web: yamadapump.com