

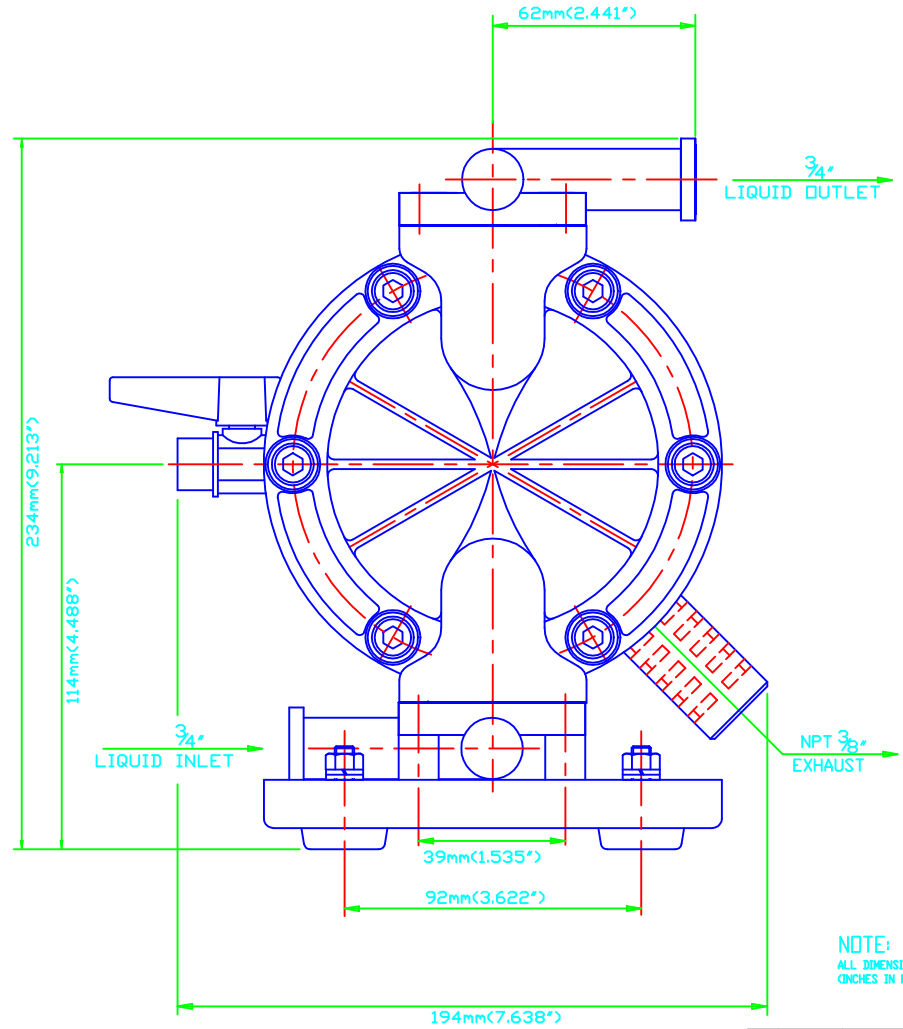
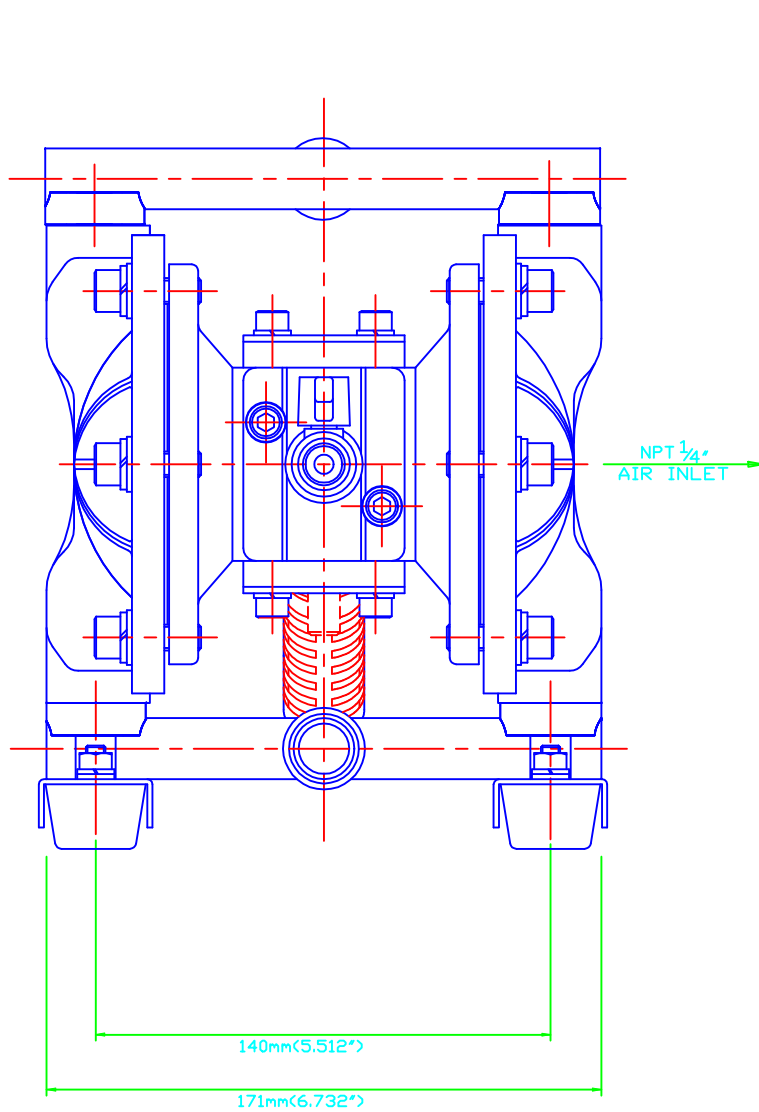
NOTE:  
ALL DIMENSIONS ARE IN MILLIMETERS  
(INCHES IN PARENTHESES)

MODEL NUMBER = NDP-5FST-FDA

REV	DATE	DESCRIPTION	APPROV
YAMADA AMERICA INC.			
1200 NUCLEAR DRIVE, WEST CHICAGO, IL 60185			
PART NO: NDP-5FST-FDA			
DESCRIPTION: DIAPHRAGM PUMP ASSEMBLY			
THIS IS A CAD DRAWING AND MUST NOT BE ALTERED MANUALLY.			
SCALE 1"=3.0"		DRAWN BY _____	
DATE _____		APPROVED BY _____	
DRAWING NUMBER:			REV

THIRD  
ANG.PROJ.

CAD DWG FILE: YA70/127



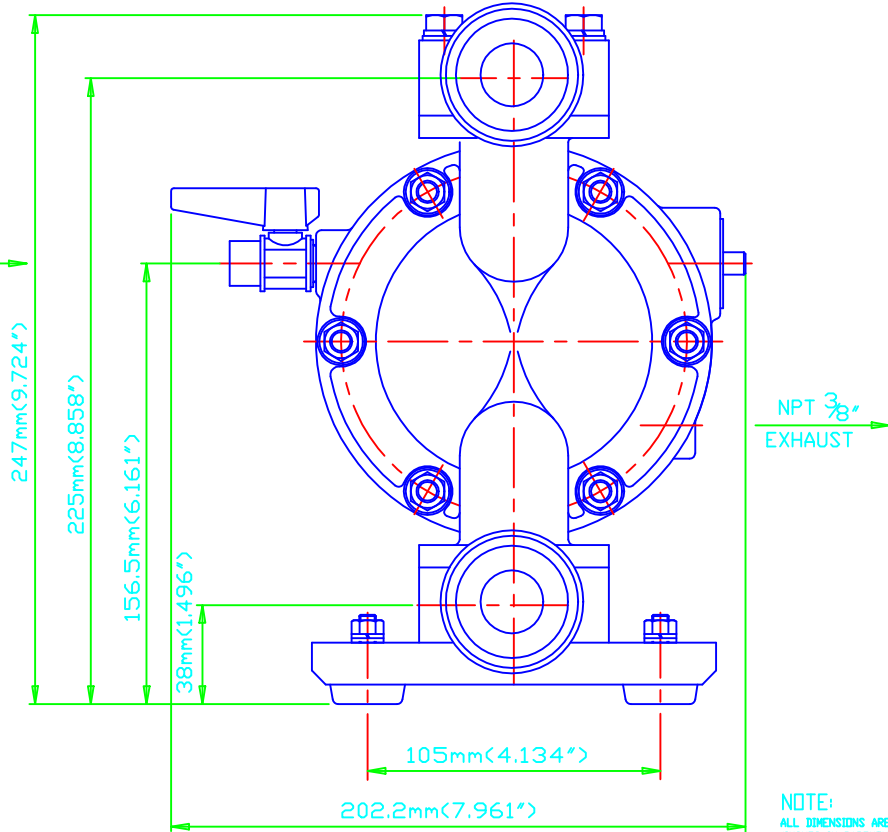
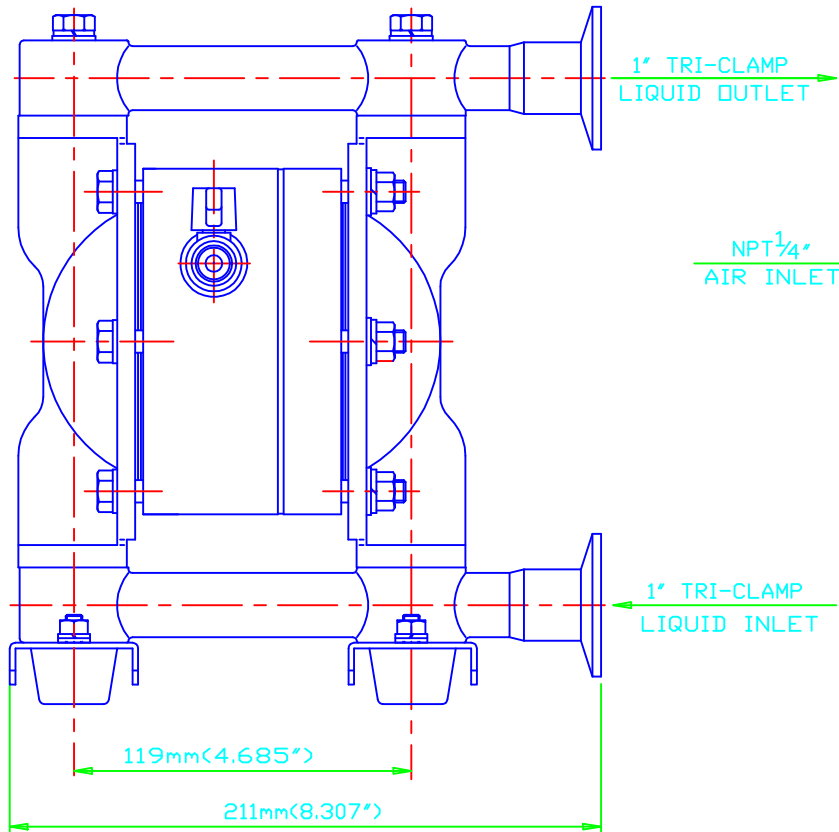
NOTE:  
ALL DIMENSIONS ARE IN MILLIMETERS  
(INCHES IN PARENTHESES)

MODEL NUMBER = DP-10BS  FDA

REV	DATE	DESCRIPTION	APPROV
<b>YAMADA AMERICA INC.</b> 1200 NUCLEAR DRIVE - WEST CHICAGO, ILLINOIS 60185 TOLL FREE 800-990-7867 OR 630-231-4083			
PART NO: DP-10BS <input type="checkbox"/> FDA DESCRIPTION: DIAPHRAM PUMP ASSEMBLY			
THIS IS A CAD DRAWING AND MUST NOT BE ALTERED MANUALLY.			
SCALE 1"=2.5"		DRAWN BY _____	
DATE _____		APPROVED BY _____	
DRAWING NUMBER:			REV

THIRD ANGLE PROJ.

CAD DWG FILE: YA52/113



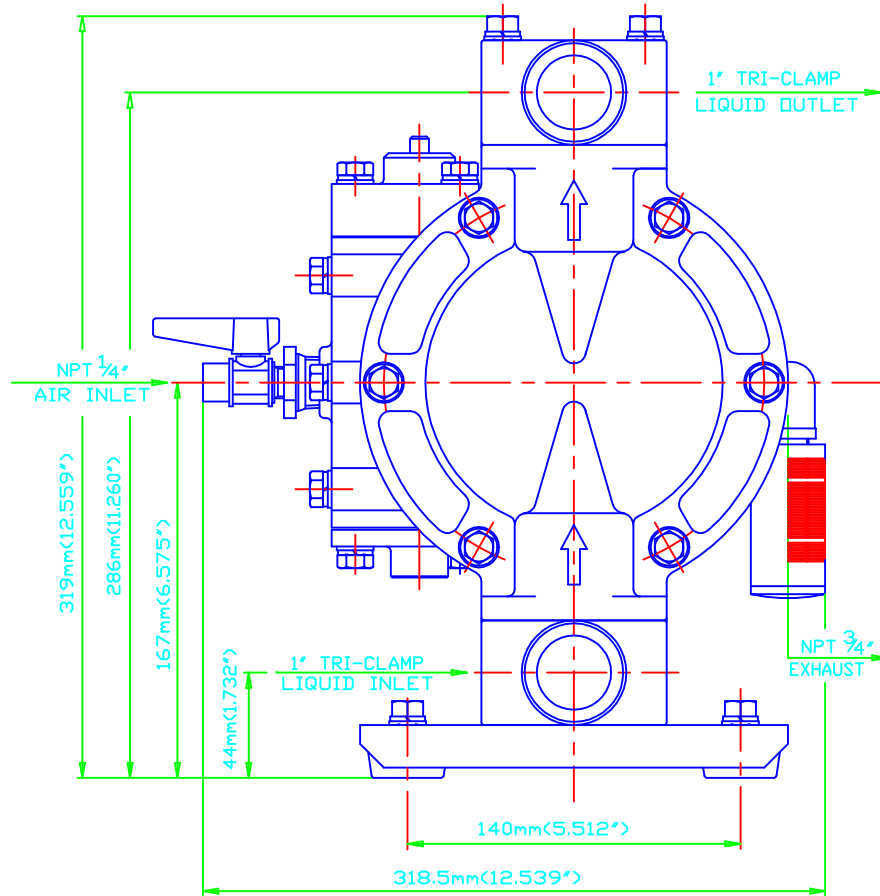
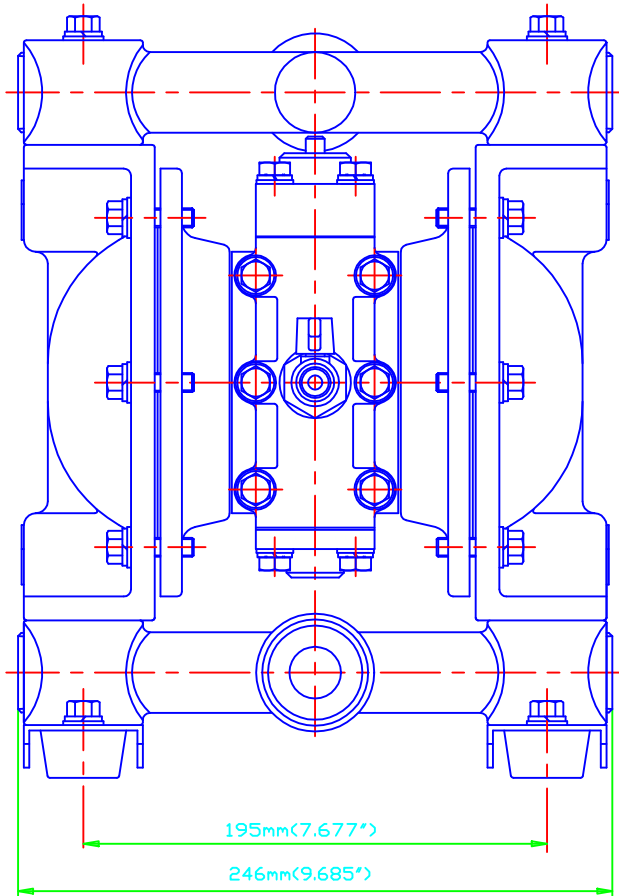
NOTE:  
ALL DIMENSIONS ARE IN MILLIMETERS  
(INCHES IN PARENTESIS)

MODEL NUMBER =NDP-15BS  FDA

REV	DATE	DESCRIPTION	APP'D
<b>YAMADA AMERICA INC.</b> 1200 NUCLEAR DRIVE - WEST CHICAGO, ILLINOIS 60185 TOLL FREE 800-990-7867 DR 630-231-4083			
PART NO: NDP-15BS <input type="checkbox"/> FDA DESCRIPTION: DIAPHRAM PUMP ASSEMBLY			
THIS IS A CAD DRAWING AND MUST NOT BE ALTERED MANUALLY.			
SCALE 1"=2.66"		DRAWN BY _____	
DATE _____		APPROVED BY _____	
DRAWING NUMBER _____			REV _____

THIRD  
ANG.PROJ.

CAD DWG FILE: YA61/116



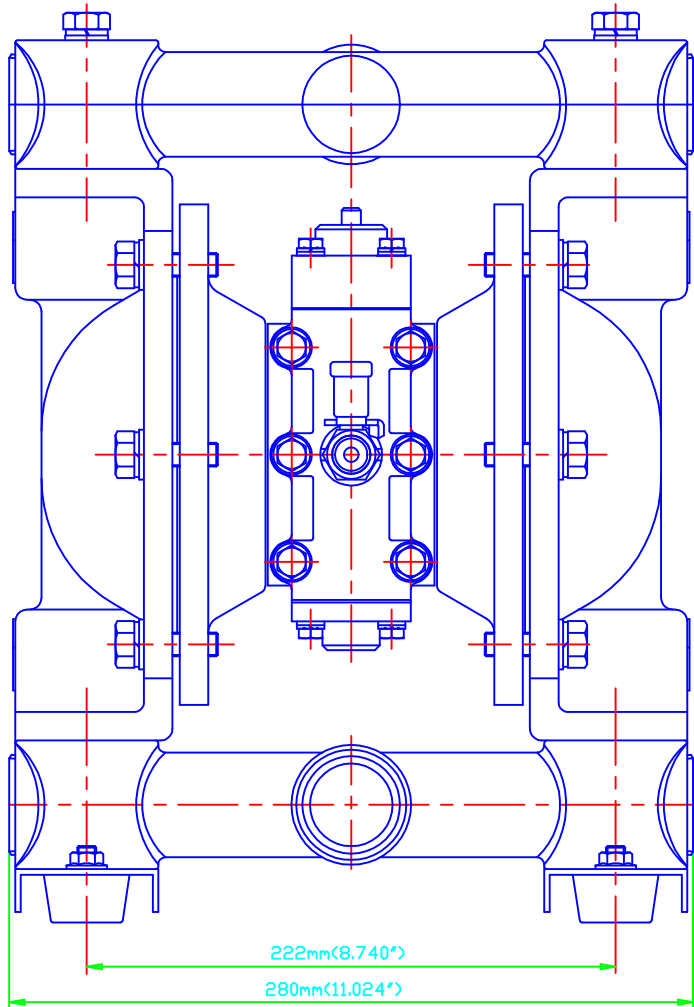
NOTE:  
ALL DIMENSIONS ARE IN MILLIMETERS  
(INCHES IN PARENTESIS)

MODEL NUMBER = NDP-20BS □ -FDA

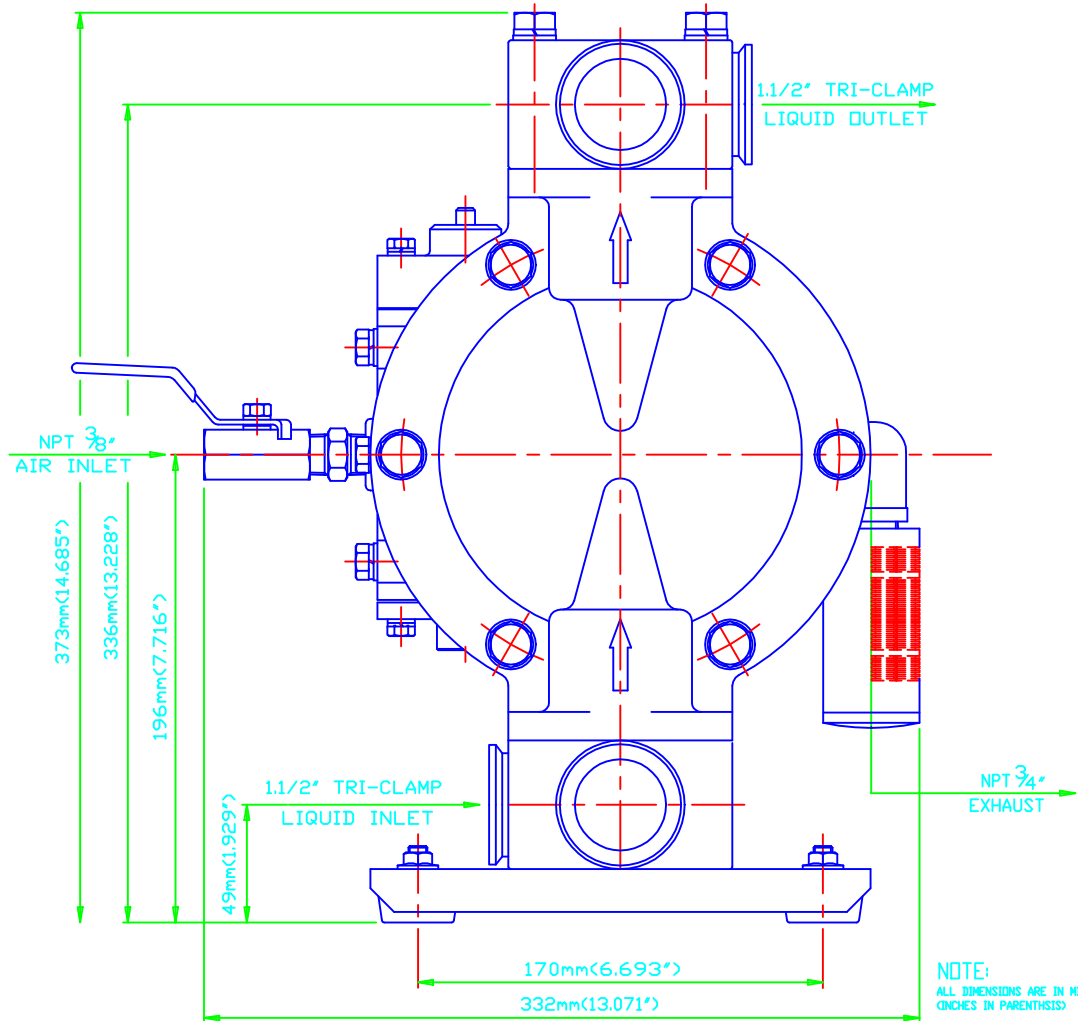
REV	DATE	DESCRIPTION	APPROV
<b>YAMADA AMERICA INC.</b> 1200 NUCLEAR DRIVE - WEST CHICAGO, ILLINOIS 60185 TOLL FREE 800-990-7867 DR 630-231-4083			
PART NO. NDP-20BS □ -FDA			
DESCRIPTION: DIAPHRAGM PUMP ASSEMBLY			
THIS IS A CAD DRAWING AND MUST NOT BE ALTERED MANUALLY.			
SCALE 1"=3.5"		DRAWN BY _____	
DATE _____		APPROVED BY _____	
DRAWING NUMBER _____			REV _____

THIRD  
ANG.PROJ.

CAD DWG FILE: YA53/114



MODEL NUMBER = NDP-25BS  -FDA

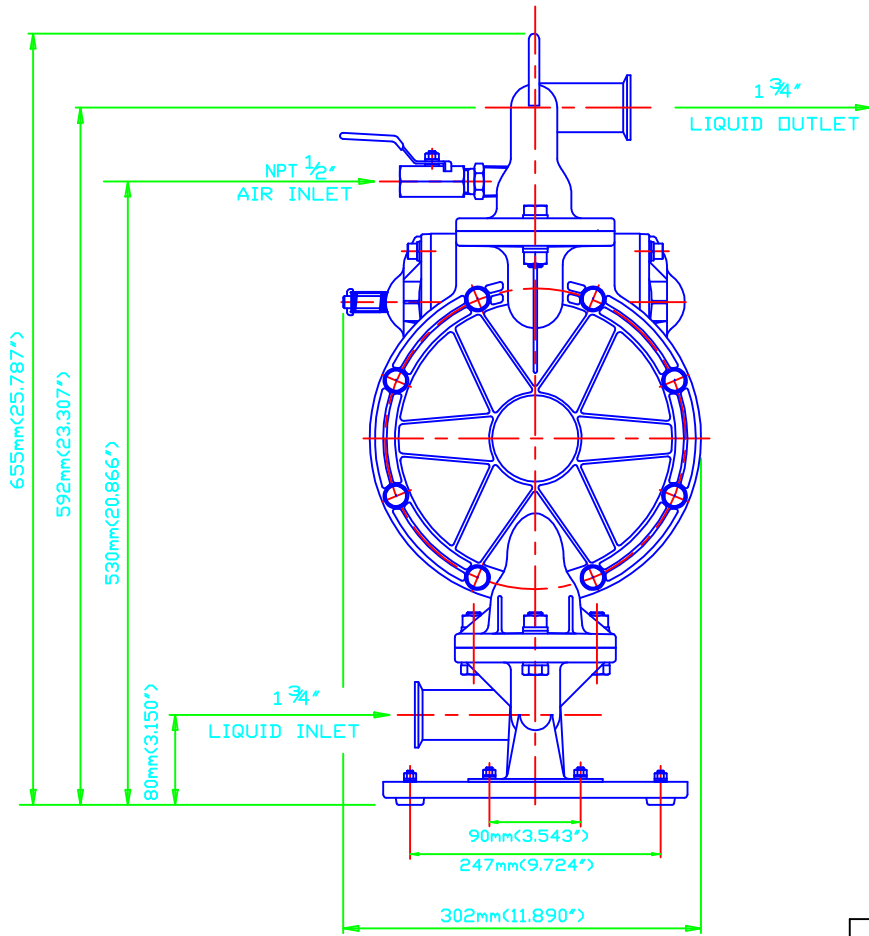
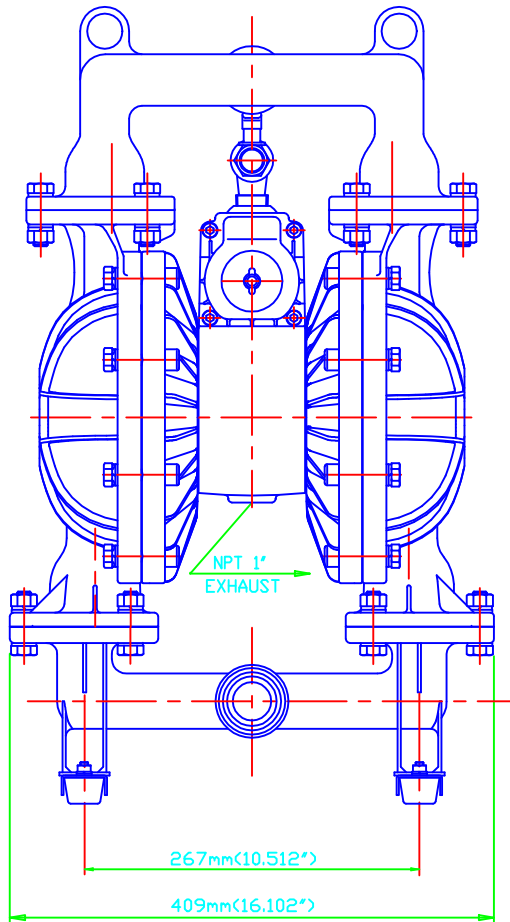


NOTE:  
ALL DIMENSIONS ARE IN MILLIMETERS  
(INCHES IN PARENTHESES)

REV	DATE	DESCRIPTION	APP'D
YAMADA AMERICA INC. 1200 NUCLEAR DRIVE - WEST CHICAGO, ILLINOIS 60185 TOLL FREE 800-990-7867 OR 630-231-4083			
PART NO. NDP-25BS <input type="checkbox"/> -FDA			
DESCRIPTION: DIAPHRAGM PUMP ASSEMBLY			
THIS IS A CAD DRAWING AND MUST NOT BE ALTERED MANUALLY.			
SCALE 1"=3.5"		DRAWN BY _____	
DATE _____		APPROVED BY _____	
DRAWING NUMBER			REV

THIRD  
ANG.PROJ.

CAD DWG FILE: YAS47114



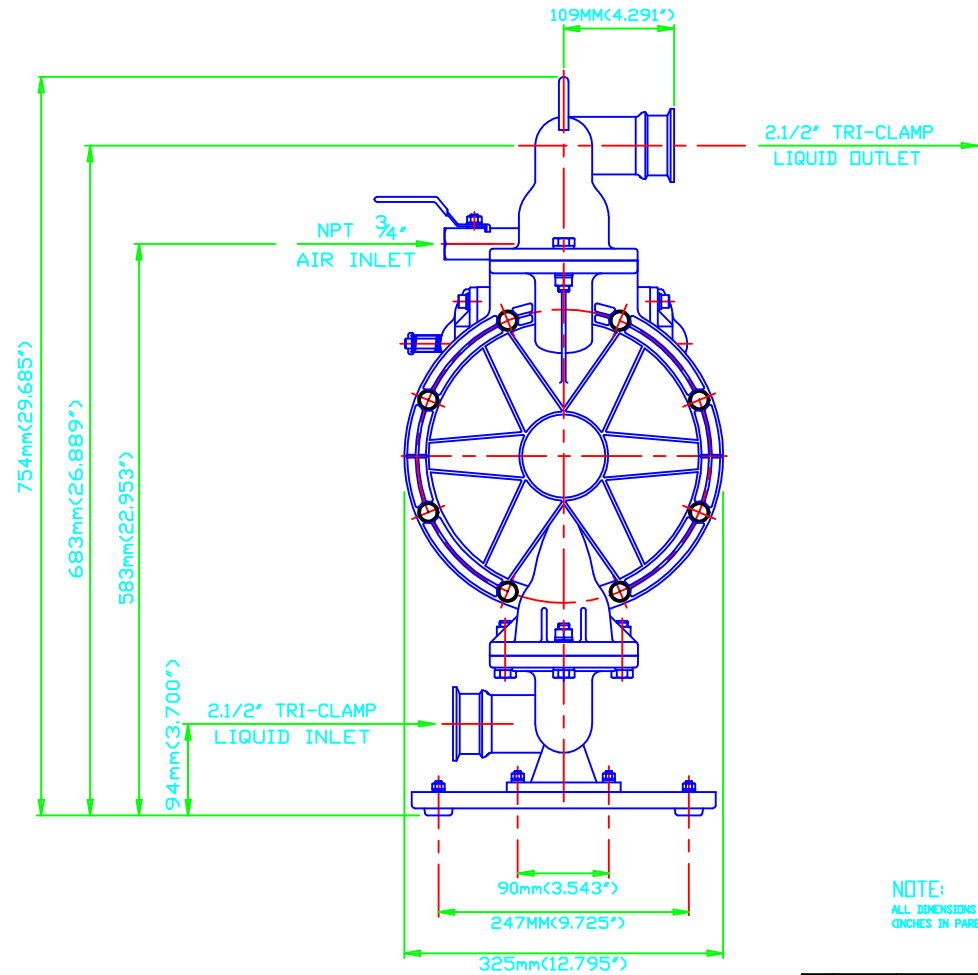
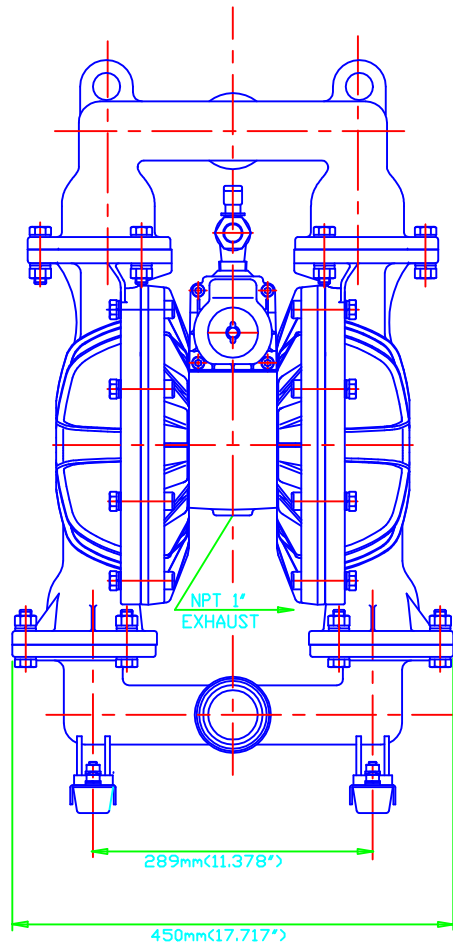
MODEL NUMBER = NDP-40BS  -FDA

NOTE:  
ALL DIMENSIONS ARE IN MILLIMETERS  
(INCHES IN PARENTHESES)

REV	DATE	DESCRIPTION	APPROV
YAMADA AMERICA INC.			
1200 NUCLEAR DRIVE - WEST CHICAGO, ILLINOIS 60185			
TOLL FREE 800-990-7867 OR 630-231-4083			
PART NO: NDP-40BS <input type="checkbox"/> -FDA			
DESCRIPTION: DIAPHRAGM PUMP ASSEMBLY			
THIS IS A CAD DRAWING AND MUST NOT BE ALTERED MANUALLY.			
SCALE: 1"=7.0"		DRAWN BY: _____	
DATE: _____		APPROVED BY: _____	
DRAWING NUMBER: _____			REV

THIRD  
ANGPROJ.

CAD DWG FILE: YAS9/115



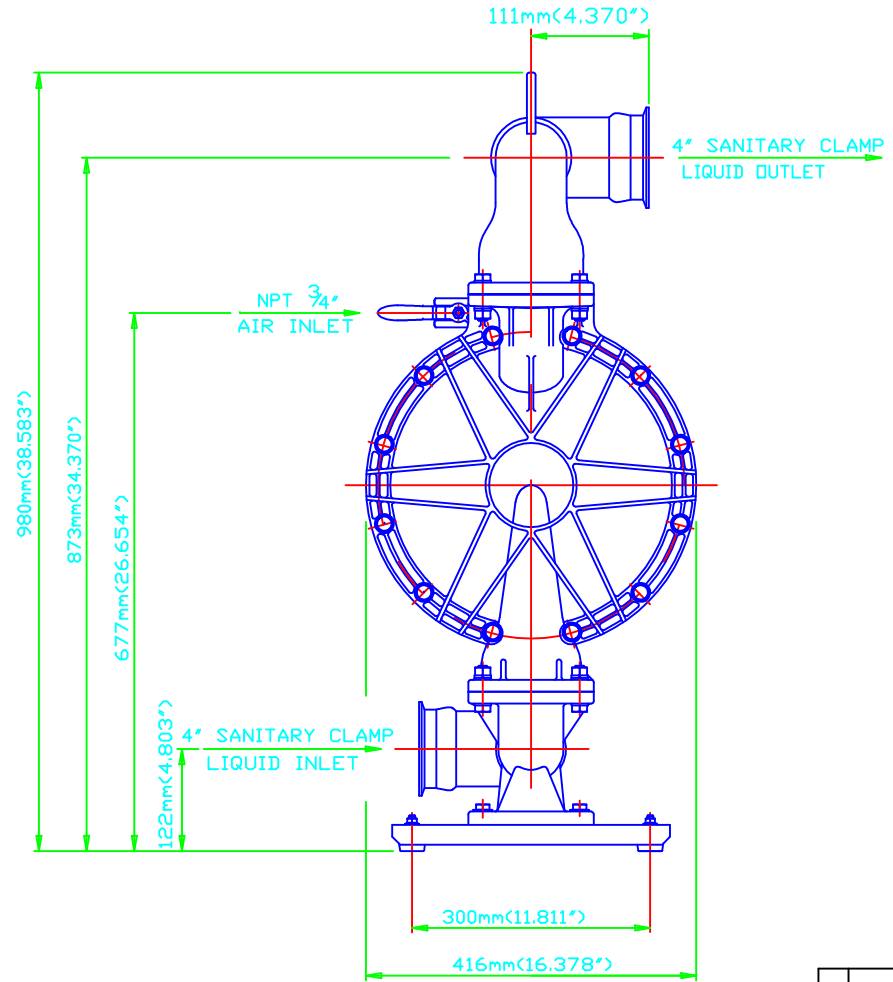
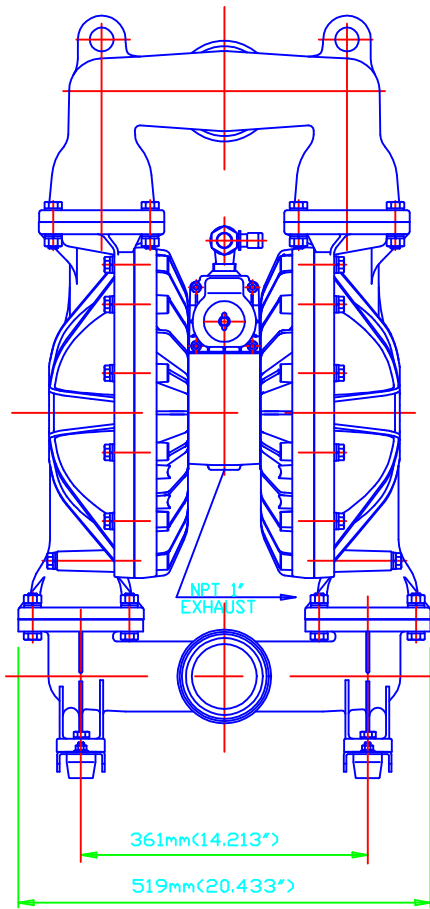
NOTE:  
ALL DIMENSIONS ARE IN MILLIMETERS  
(INCHES IN PARENTHESES)

MODEL NUMBER = NDP-50BS  -FDA

REV	DATE	DESCRIPTION	APPROV
<b>YAMADA AMERICA INC.</b> 1200 NUCLEAR DRIVE - WEST CHICAGO, ILLINOIS 60185 TOLL FREE 800-990-7867 DR 630-231-4083			
PART NO: NDP-50BS <input type="checkbox"/> -FDA			
DESCRIPTION: DIAPHRAM PUMP ASSEMBLY			
THIS IS A CAD DRAWING AND MUST NOT BE ALTERED MANUALLY.			
SCALE: 1"=7.63"		DRAWN BY: _____	
DATE: _____		APPROVED BY: _____	
DRAWING NUMBER:			REV

THIRD  
ANG.PROJ.

CAD DWG FILE: YA62/116



NOTE:  
ALL DIMENSIONS ARE IN MILLIMETERS  
(INCHES IN PARENTHESES)

MODEL NUMBER = NDP-80BS  -FDA

REV	DATE	DESCRIPTION	APPROV
YAMADA AMERICA INC.			
1200 NUCLEAR DR., WEST CHICAGO ILLINOIS 60185			
PART NO: NDP-80BS <input type="checkbox"/> -FDA			
DESCRIPTION: DIAPHRAGM PUMP ASSEMBLY			
THIS IS A CAD DRAWING AND MUST NOT BE ALTERED MANUALLY.			
SCALE: 1"=3.5"		DRAWN BY: _____	
DATE: _____		APPROVED BY: _____	
DRAWING NUMBER: _____			REV: _____

THIRD  
ANG.PROJ.

CAD DWG FILE: YA877123