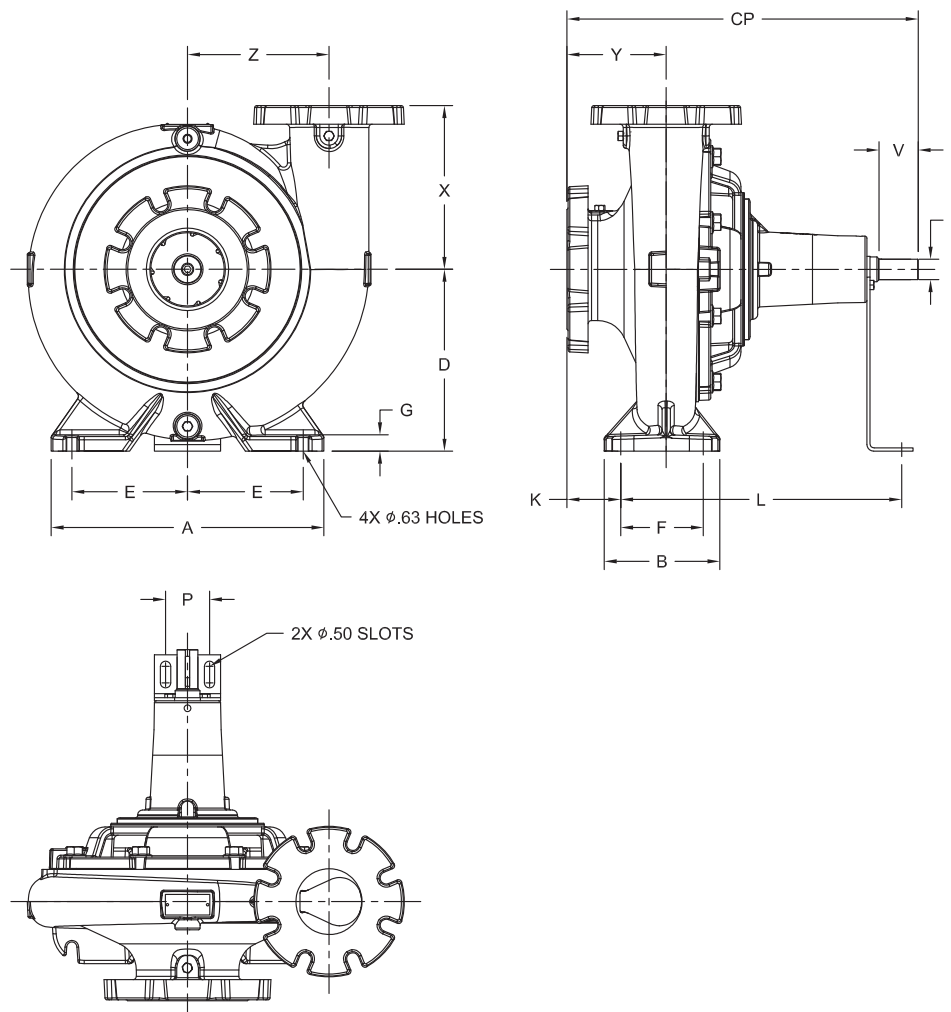


End Suction Back Pull-Out

PUMP NO.	PUMP:	MOTOR:	VOLTS:
FOR:	TDH:	HP:	HZ:
CERT. BY:	GPM:	RPM:	FRAME:
DATE:	FIGURE NO:	PHASE:	
		ENCLOSURE:	



FOR PUMP MODELS WITH MULTIPLE FRAME SIZES		
MODEL	FRAME	RPM
2.5R	Small	1150
3R	Medium	1450/1760

CONNECTIONS FOR 125# STANDARD FLANGES

Pump	Frame	Disch. (INCH)	Inlet (INCH)	A	B	D	E	2E	F	G	K	L	P	U	V	X	Y	Z	CP
1.5R	S	1.5	2.0	16.50	7.00	10.00	7.00	14.00	5.00	0.85	2.50	13.20	2.75	1.00	1.68	7.50	5.00	6.75	16.37
2.5R	S	2.5	3.0	16.50	7.00	10.00	7.00	14.00	5.00	0.85	2.56	13.56	2.75	1.00	1.68	9.00	5.50	7.25	16.85
	17.12											1.25		1.98	20.65				
3R	S	3.0	4.0	16.50	7.00	10.00	7.00	14.00	5.00	0.85	2.75	13.75	2.75	1.00	1.68	9.50	5.63	8.00	17.17
	17.25											1.25		1.98	20.96				
4R	M	4.0	5.0	16.50	7.00	11.00	7.00	14.00	5.00	0.85	3.25	16.63	2.75	1.25	1.98	10.00	6.00	8.56	20.83

Type "R"

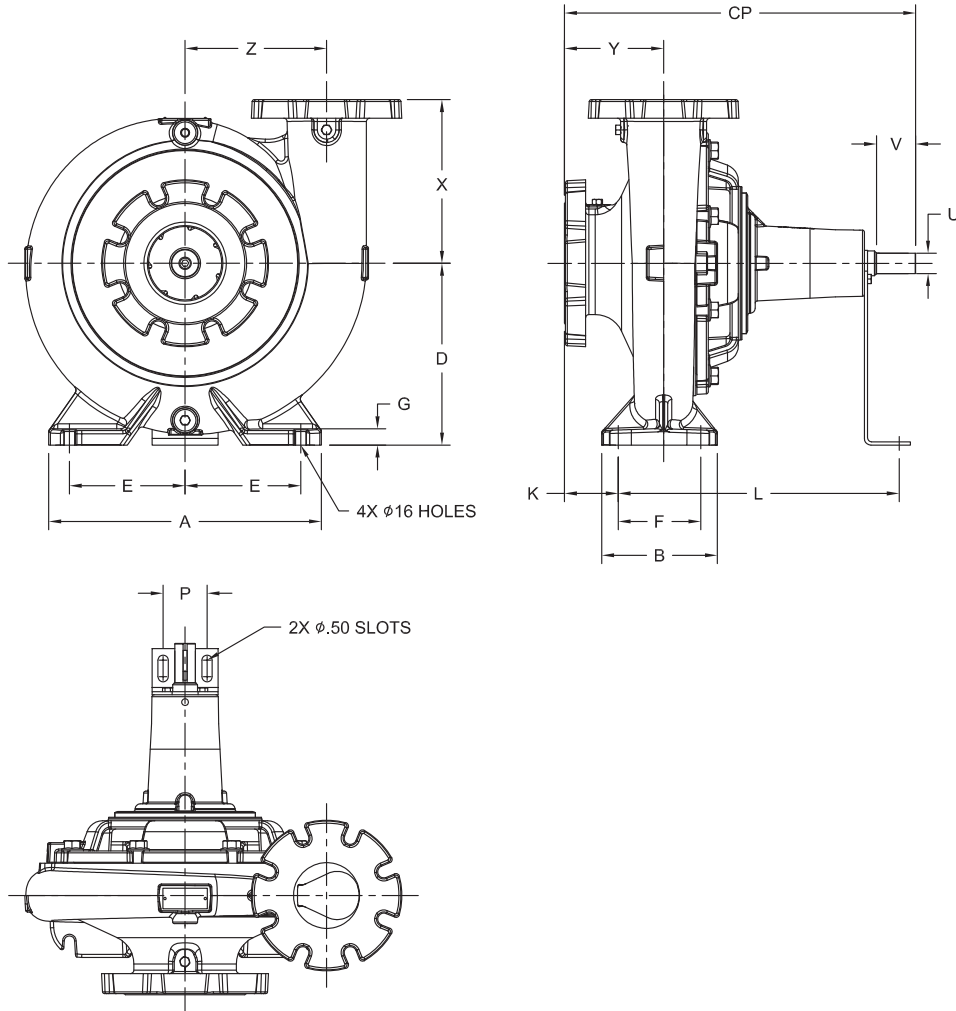
Models 1.5R, 2.5R, 3R, 4R
Metric (Millimeters)

WEINMAN®

www.cranepumps.com

End Suction Back Pull-Out

PUMP NO.	PUMP:	MOTOR:	VOLTS:
FOR:	TDH:	HP:	HZ:
CERT. BY:	GPM:	RPM:	FRAME:
DATE:	FIGURE NO:	PHASE:	
		ENCLOSURE:	



FOR PUMP MODELS WITH MULTIPLE FRAME SIZES		
MODEL	FRAME	RPM
2.5R	Small	1150
3R	Medium	1450/1760

CONNECTIONS FOR 125# STANDARD FLANGES

Pump	Frame	Disch. (INCH)	Inlet (INCH)	A	B	D	E	2E	F	G	K	L	P	U	V	X	Y	Z	CP
1.5R	S	1.5	2.0	419	178	254	178	356	127	22	64	335	70	25	43	191	127	171	416
2.5R	S	2.5	3.0	419	178	254	178	356	127	22	65	344	70	25	43	229	140	184	428
	435											32		50	525				
3R	S	3.0	4.0	419	178	254	178	356	127	22	70	349	70	25	43	241	143	203	436
	438											32		50	532				
4R	M	4.0	5.0	419	178	279	178	356	127	22	83	422	70	32	50	254	152	217	529

SECTION 575
PAGE 48
DATE 11/16

CRANE
A Crane Co. Company

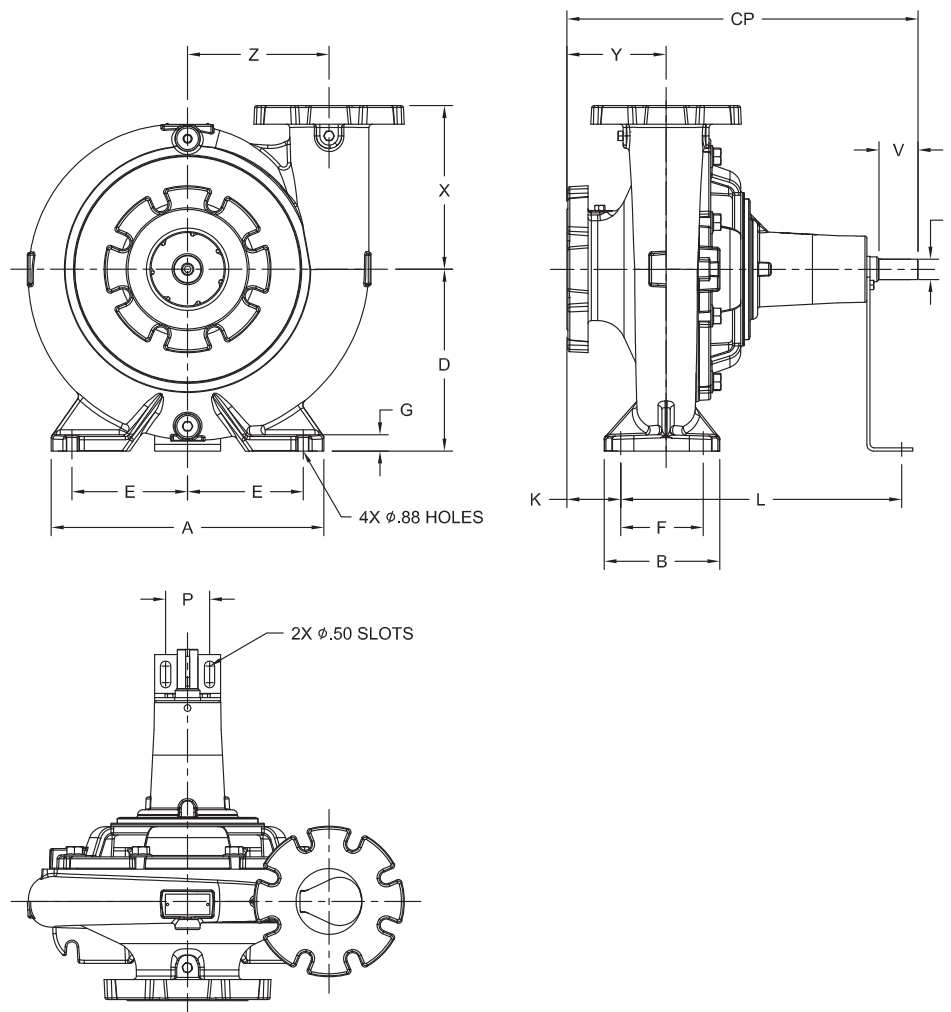
PUMPS & SYSTEMS

A Crane Co. Company

USA: (937) 778-8947 • Canada: (905) 457-6223 • International: (937) 615-3598

End Suction Back Pull-Out

PUMP NO.	PUMP:	MOTOR:	VOLTS:
FOR:	TDH:	HP:	HZ:
CERT. BY:	GPM:	RPM:	FRAME:
DATE:	FIGURE NO:	PHASE:	
		ENCLOSURE:	



FOR PUMP MODELS WITH MULTIPLE FRAME SIZES		
MODEL	FRAME	RPM
6R	Medium	1150
	Large	1450/1760

CONNECTIONS FOR 125# STANDARD FLANGES

Pump	Frame	Disch. (INCH)	Inlet (INCH)	A	B	D	E	2E	F	G	K	L	P	U	V	X	Y	Z	CP
5R	M	5.0	6.0	24.00	11.0	12.00	10.50	21.00	9.00	1.00	1.19	19.63	2.75	1.25	1.98	13.00	6.00	9.00	21.67
6R	M	6.0	8.0	24.00	11.0	12.00	10.50	21.00	9.00	1.00	2.00	19.35	2.75	1.25	1.98	14.00	6.50	9.31	22.38
	L											19.75		1.75	3.50				23.84

Type "R"

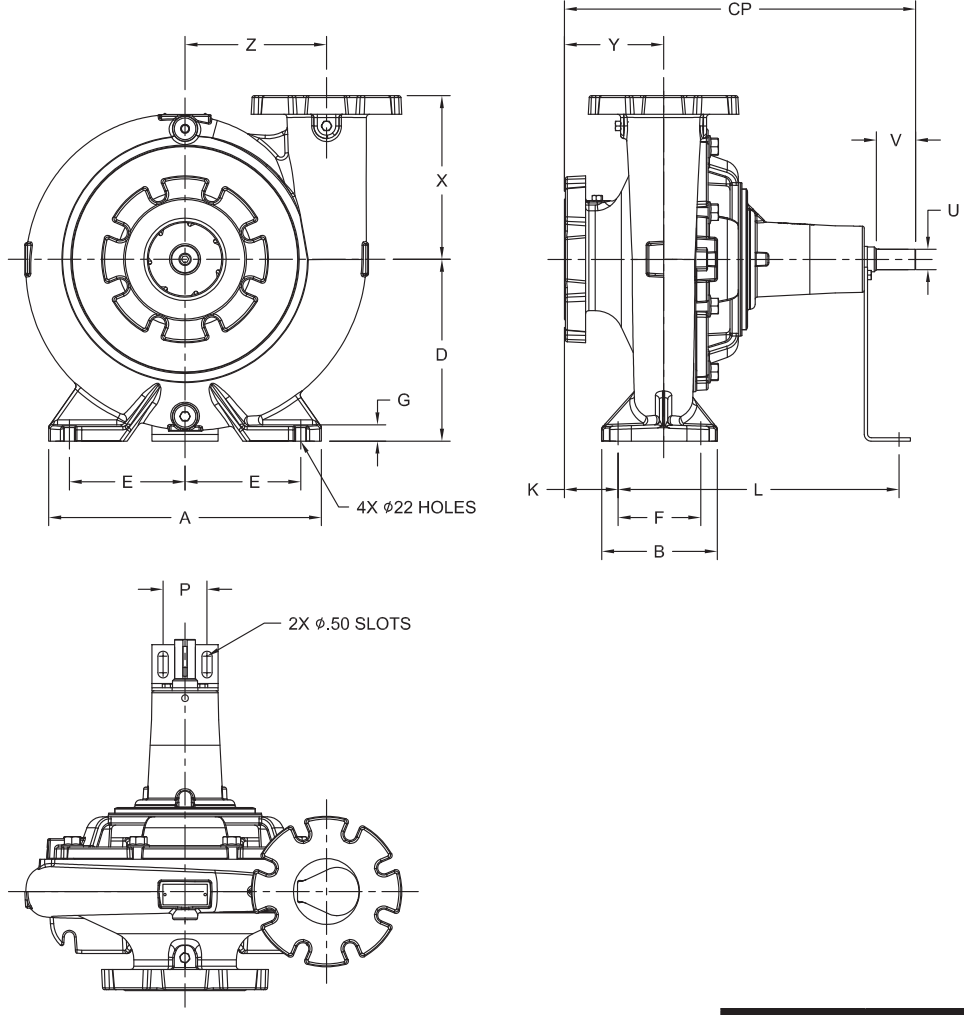
Models 5R, 6R
Metric (Millimeters)

WEINMAN®

www.cranepumps.com

End Suction Back Pull-Out

PUMP NO.	PUMP:	MOTOR:	VOLTS:
FOR:	TDH:	HP:	HZ:
CERT. BY:	GPM:	RPM:	FRAME:
DATE:	FIGURE NO:	PHASE:	
		ENCLOSURE:	



FOR PUMP MODELS WITH MULTIPLE FRAME SIZES		
MODEL	FRAME	RPM
6R	Medium	1150
	Large	1450/1760

CONNECTIONS FOR 125# STANDARD FLANGES

Pump	Frame	Disch. (INCH)	Inlet (INCH)	A	B	D	E	2E	F	G	K	L	P	U	V	X	Y	Z	CP
5R	M	5.0	6.0	610	279	305	267	533	229	25	30	499	70	32	50	330	152	229	550
6R	M	6.0	8.0	610	279	305	267	533	229	25	51	491	70	32	50	356	165	236	568
	502											44		89	606				

SECTION 575
PAGE 50
DATE 11/16



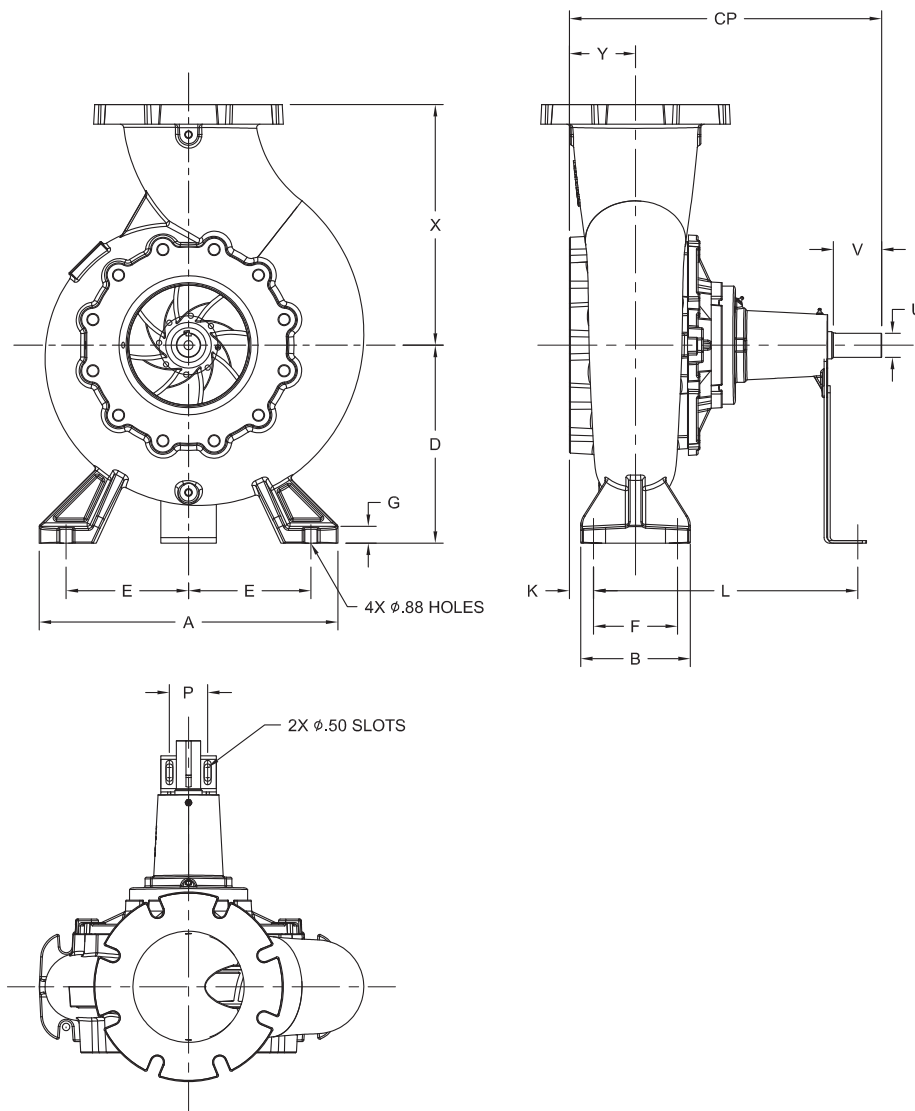
PUMPS & SYSTEMS

A Crane Co. Company

USA: (937) 778-8947 • Canada: (905) 457-6223 • International: (937) 615-3598

End Suction Back Pull-Out

PUMP NO.	PUMP:	MOTOR:	VOLTS:
FOR:	TDH:	HP:	HZ:
CERT. BY:	GPM:	RPM:	FRAME:
DATE:	FIGURE NO:	PHASE:	
		ENCLOSURE:	



FOR PUMP MODELS WITH MULTIPLE FRAME SIZES		
MODEL	FRAME	RPM
8R	Medium	1150
	Large	1450/1760

CONNECTIONS FOR 125# STANDARD FLANGES

Pump	Frame	Disch. (INCH)	Inlet (INCH)	A	B	D	E	2E	F	G	K	L	P	U	V	X	Y	Z	CP
8R	M	8.0	10.0	21.50	7.88	14.25	8.81	17.62	5.90	1.00	1.80	18.18	2.75	1.25	1.98	17.32	4.75		21.01
	L											18.56		1.75	3.50				22.46

Type "R"

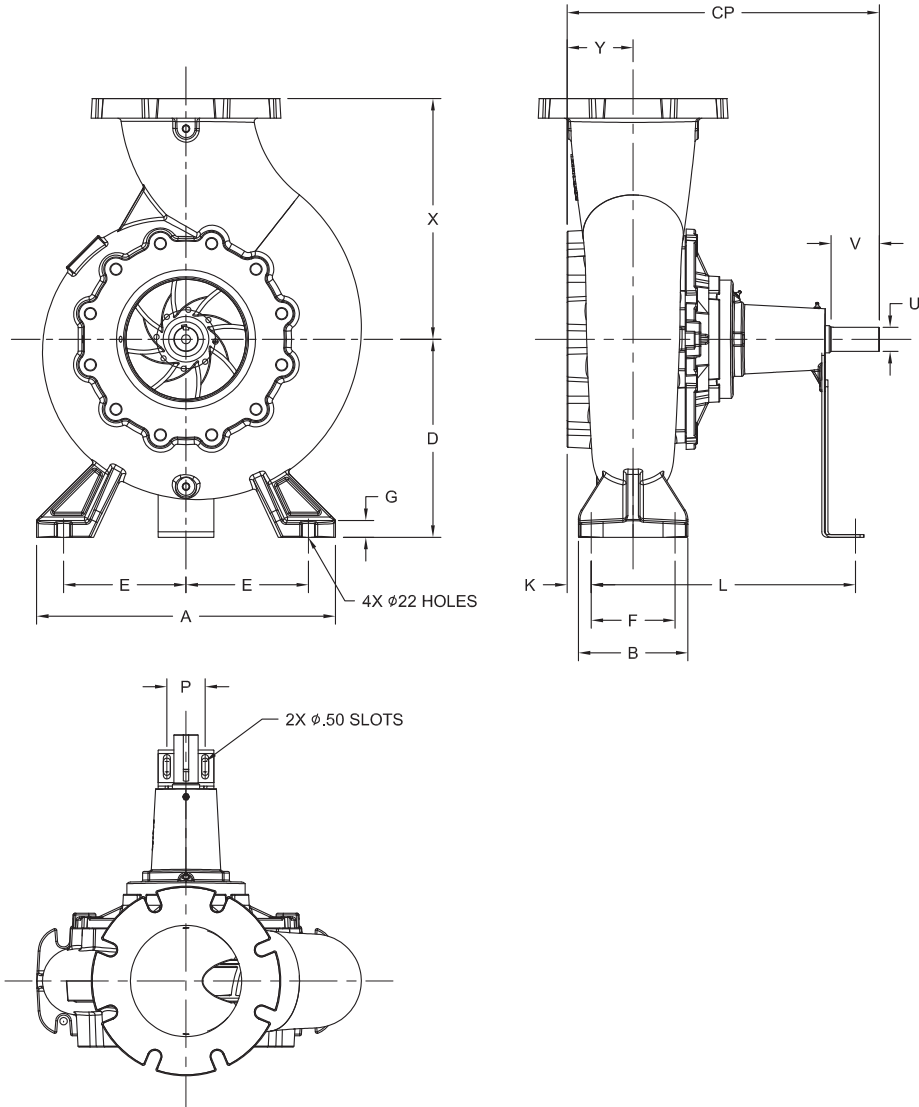
Models 8R
Metric (Millimeters)

WEINMAN®

www.cranepumps.com

End Suction Back Pull-Out

PUMP NO.	PUMP:	MOTOR:	VOLTS:
FOR:	TDH:	HP:	HZ:
CERT. BY:	GPM:	RPM:	FRAME:
DATE:	FIGURE NO:	PHASE:	
		ENCLOSURE:	



FOR PUMP MODELS WITH MULTIPLE FRAME SIZES		
MODEL	FRAME	RPM
8R	Medium	1150
	Large	1450/1760

CONNECTIONS FOR 125# STANDARD FLANGES

Pump	Frame	Disch. (INCH)	Inlet (INCH)	A	B	D	E	2E	F	G	K	L	P	U	V	X	Y	Z	CP
8R	M	8.0	10.0	546	200	362	224	448	150	25	46	462	70	32	50	440	121		534
	L											471		44	89				570

SECTION 575
PAGE 52
DATE 5/16

CRANE
A Crane Co. Company

PUMPS & SYSTEMS

USA: (937) 778-8947 • Canada: (905) 457-6223 • International: (937) 615-3598