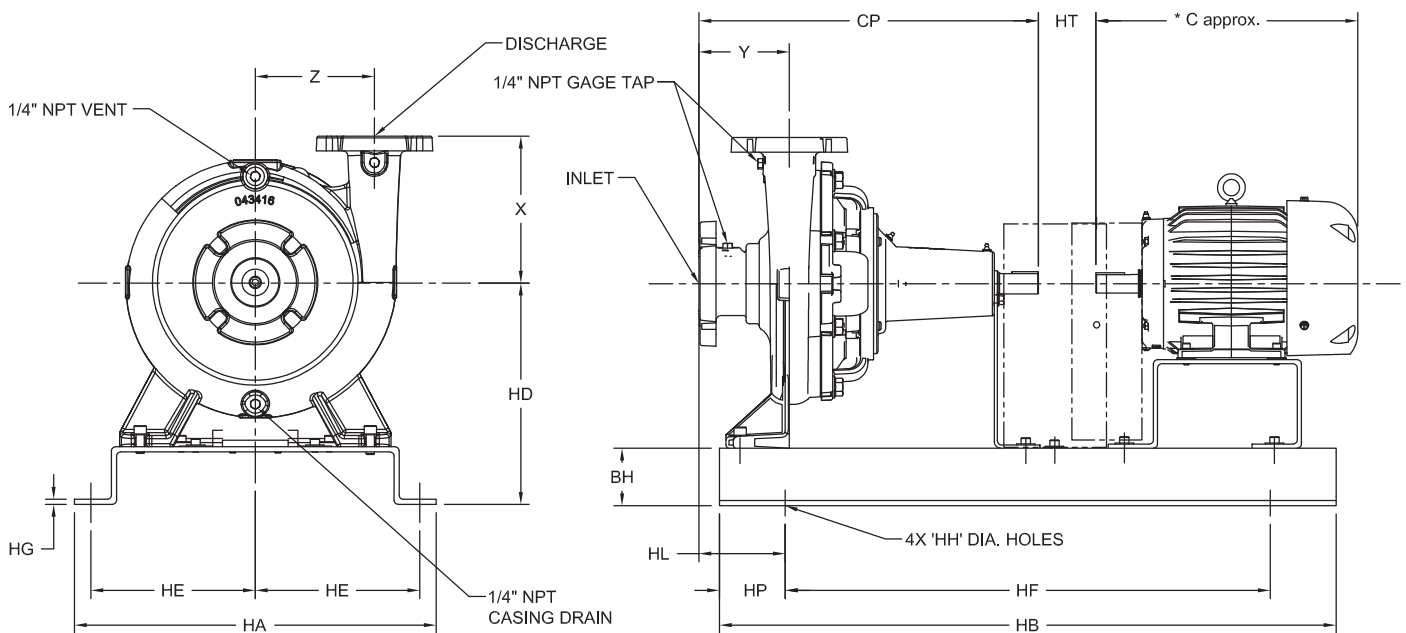


### End Suction Back Pull-Out

<b>PUMP NO.</b>	<b>PUMP:</b>	<b>MOTOR:</b>	<b>VOLTS:</b>
<b>FOR:</b>	<b>TDH:</b>	<b>HP:</b>	<b>HZ:</b>
<b>CERT. BY:</b>	<b>GPM:</b>	<b>RPM:</b>	<b>FRAME:</b>
<b>DATE:</b>	<b>FIGURE NO:</b>	<b>PHASE:</b>	<b>ENCLOSURE:</b>

CONNECTIONS FOR 125# STANDARD FLANGES

PUMP	DISCH. (INCH)	INLET (INCH)	HL	X	Y	Z	CP
1P	1.00	1.25	5.00	5.00	3.75	4.50	14.67
1.5P	1.50	2.00	4.32	6.00	3.13	4.62	14.36
2P	2.00	2.50	4.82	6.50	3.50	4.75	14.84
2.5P	2.50	3.00	5.50	6.00	4.25	4.69	15.63
3P	3.00	4.00	5.51	6.00	4.13	5.00	15.63



- NOTES:  
 1) All Dimension  $\pm .13$   
 2) Dimension \* C will vary based on motor brand

CONNECTIONS FOR 125# STANDARD FLANGES

Motor Frame	Base No.	Riser No.	Guard No.	Guard Ext.	* C	HA	HB	HD	HE	HF	HG	HH	HP	HT	BH
56T	135692	135691	135537	N/A	10.79	15.00	31.00	10.50	6.50	23.00	0.31	0.75	4.00	3.50	3.50
143T	135692	135691	135537	N/A	12.29	15.00	31.00	10.50	6.50	23.00	0.31	0.75	4.00	3.50	3.50
145T	135692	135691	135537	N/A	12.29	15.00	31.00	10.50	6.50	23.00	0.31	0.75	4.00	3.50	3.50
182T	135692-01	135693	135537	135539	15.93	15.00	31.00	10.50	6.50	23.00	0.31	0.75	4.00	3.50	3.50
184T	135692-01	135693	135537	135539	15.93	15.00	31.00	10.50	6.50	23.00	0.31	0.75	4.00	3.50	3.50
213T	135306-02	135695	135537	135539	17.89	16.00	36.00	10.50	7.00	28.00	0.31	0.75	4.00	3.50	3.50
215T	135306-02	135695	135537	135539	17.89	16.00	36.00	10.50	7.00	28.00	0.31	0.75	4.00	3.50	3.50
254T	135314-01	*Q70-20-E4	135538	135975	23.29	19.00	42.00	10.50	8.50	34.00	0.31	0.75	4.00	3.50	3.50
256T	135314-01	*Q70-20-E4	135538	135975	23.29	19.00	42.00	10.50	8.50	34.00	0.31	0.75	4.00	3.50	3.50
284TS	135314-02	N/A	136193	135926	27.76	19.00	42.00	10.75	8.50	34.00	0.31	0.75	4.00	3.50	3.50
286TS	135314-02	N/A	136193	135926	27.76	19.00	42.00	10.75	8.50	34.00	0.31	0.75	4.00	3.50	3.50

\* = Quantity 4 Spacer Blocks.



# Type "P"

Models 1P, 1.5P, 2P, 2.5P, 3P, Small  
Metric (Millimeters)

# WEINMAN®

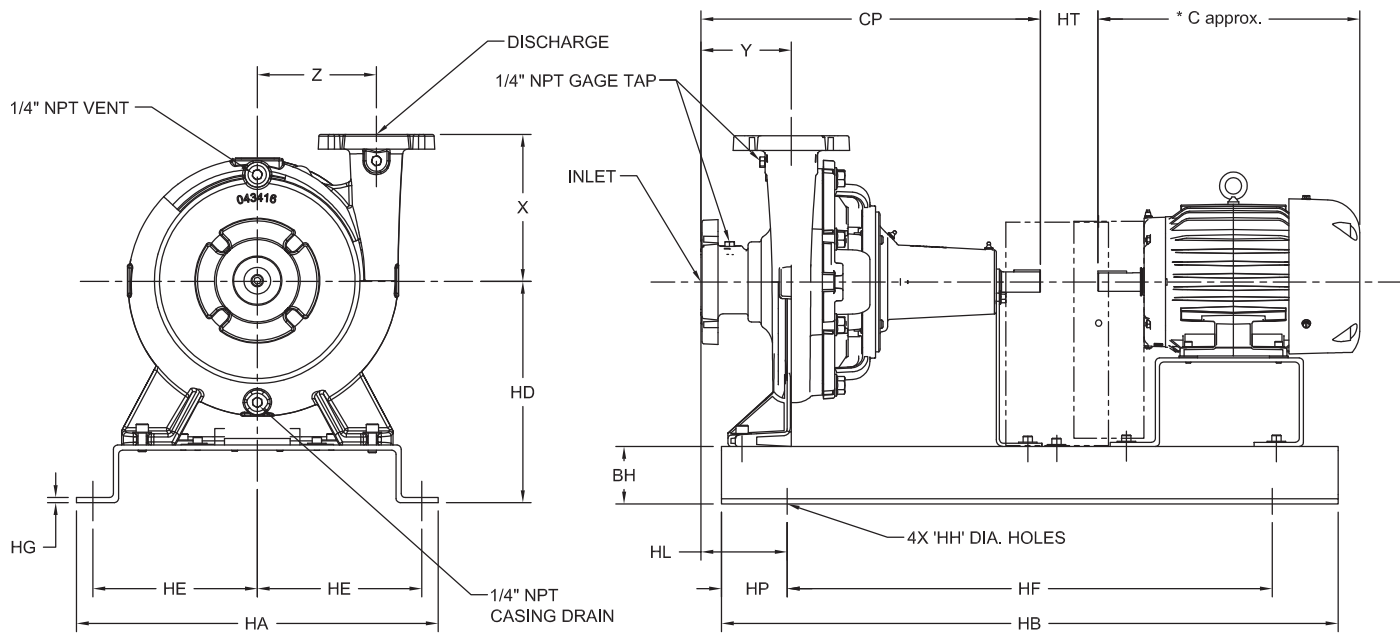
www.cranepumps.com

## End Suction Back Pull-Out

<b>PUMP NO.</b>	<b>PUMP:</b>	<b>MOTOR:</b>	<b>VOLTS:</b>
<b>FOR:</b>	<b>TDH:</b>	<b>HP:</b>	<b>HZ:</b>
<b>CERT. BY:</b>	<b>GPM:</b>	<b>RPM:</b>	<b>FRAME:</b>
<b>DATE:</b>	<b>FIGURE NO:</b>	<b>PHASE:</b>	
		<b>ENCLOSURE:</b>	

### CONNECTIONS FOR 125# STANDARD FLANGES

PUMP	DISCH. (INCH)	INLET (INCH)	HL	X	Y	Z	CP
1P	1.00	1.25	127	127	95	114	373
1.5P	1.50	2.00	110	152	80	117	365
2P	2.00	2.50	122	165	89	121	377
2.5P	2.50	3.00	140	152	108	119	397
3P	3.00	4.00	140	152	105	127	397



- NOTES:  
 1) All Dimension  $\pm$  3mm  
 2) Dimension \* C will vary based on motor brand

### CONNECTIONS FOR 125# STANDARD FLANGES

Motor Frame	Base No.	Riser No.	Guard No.	Guard Ext.	* C	HA	HB	HD	HE	HF	HG	HH	HP	HT	BH
56T	135692	135691	135537	N/A	274	381	787	267	165	584	8	19	102	89	89
143T	135692	135691	135537	N/A	312	381	787	267	165	584	8	19	102	89	89
145T	135692	135691	135537	N/A	312	381	787	267	165	584	8	19	102	89	89
182T	135692-01	135693	135537	135539	405	381	787	267	165	584	8	19	102	89	89
184T	135692-01	135693	135537	135539	405	381	787	267	165	584	8	19	102	89	89
213T	135306-02	135695	135537	135539	454	406	914	267	178	711	8	19	102	89	89
215T	135306-02	135695	135537	135539	454	406	914	267	178	711	8	19	102	89	89
254T	135314-01	*Q70-20-E4	135538	135975	592	483	1067	267	216	864	8	19	102	89	89
256T	135314-01	*Q70-20-E4	135538	135975	592	483	1067	267	216	864	8	19	102	89	89
284TS	135314-02	N/A	136193	135926	705	483	1067	273	216	864	8	19	102	89	89
286TS	135314-02	N/A	136193	135926	705	483	1067	273	216	864	8	19	102	89	89

\* = Quantity 4 Spacer Blocks.

SECTION 575  
 PAGE 56  
 DATE 11/16

**CRANE**  
 A Crane Co. Company

PUMPS & SYSTEMS

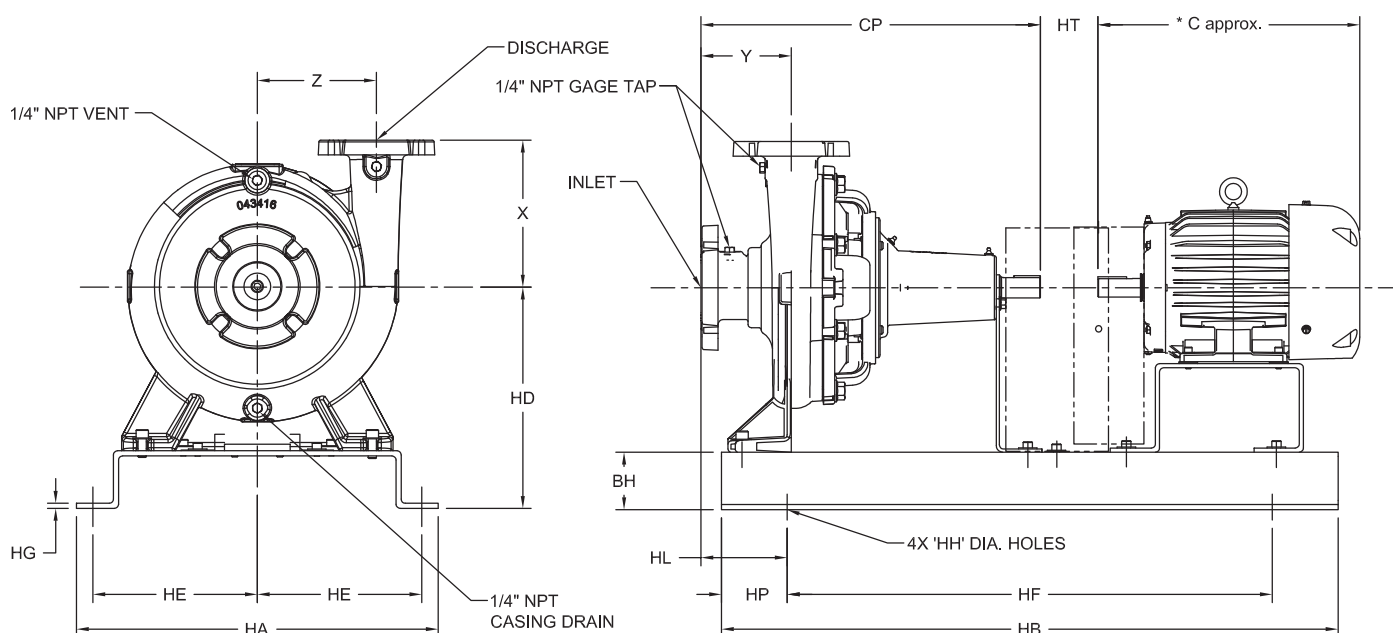
USA: (937) 778-8947 • Canada: (905) 457-6223 • International: (937) 615-3598

### End Suction Back Pull-Out

<b>PUMP NO.</b>	<b>PUMP:</b>	<b>MOTOR:</b>	<b>VOLTS:</b>
<b>FOR:</b>	<b>TDH:</b>	<b>HP:</b>	<b>HZ:</b>
<b>CERT. BY:</b>	<b>GPM:</b>	<b>RPM:</b>	<b>FRAME:</b>
<b>DATE:</b>	<b>FIGURE NO:</b>	<b>PHASE:</b>	<b>ENCLOSURE:</b>

**CONNECTIONS FOR 125# STANDARD FLANGES**

PUMP	DISCH. (INCH)	INLET (INCH)	HL	X	Y	Z	CP
3P	3.00	4.00	5.51	6.00	4.13	5.00	19.50



**NOTES:**

- 1) All Dimension  $\pm .13$
- 2) Dimension \* C will vary based on motor brand

**CONNECTIONS FOR 125# STANDARD FLANGES**

Motor Frame	Base No.	Riser No.	Guard No.	Guard Ext.	* C	HA	HB	HD	HE	HF	HG	HH	HP	HT	BH
184T	135697	135693	135100	N/A	15.93	15.00	37.00	10.50	6.50	29.00	0.31	0.75	4.00	3.50	3.50
213T	135888	135695	135102	N/A	17.89	16.00	40.00	10.50	7.00	32.00	0.31	0.75	4.00	3.50	3.50
215T	135888	135695	135102	N/A	17.89	16.00	40.00	10.50	7.00	32.00	0.31	0.75	4.00	3.50	3.50
254T	135317-04	*Q70-20-E4	135102	135926	23.29	19.00	46.00	10.50	8.50	38.00	0.31	0.75	4.00	3.50	3.50
256T	135317-04	*Q70-20-E4	135102	135926	23.29	19.00	46.00	10.50	8.50	38.00	0.31	0.75	4.00	3.50	3.50
284TS	135317-03	N/A	135102	135926	27.76	19.00	46.00	10.75	8.50	38.00	0.31	0.75	4.00	3.50	3.50
286TS	135317-03	N/A	135102	135926	27.76	19.00	46.00	10.75	8.50	38.00	0.31	0.75	4.00	3.50	3.50
324TS	135315-02	N/A	135625	N/A	28.78	24.00	52.00	11.63	11.00	44.00	0.31	0.75	4.00	3.50	3.50

\* = Quantity 4 Spacer Blocks.

# Type "P"

Models 3P, Medium  
Metric (Millimeters)

# WEINMAN®

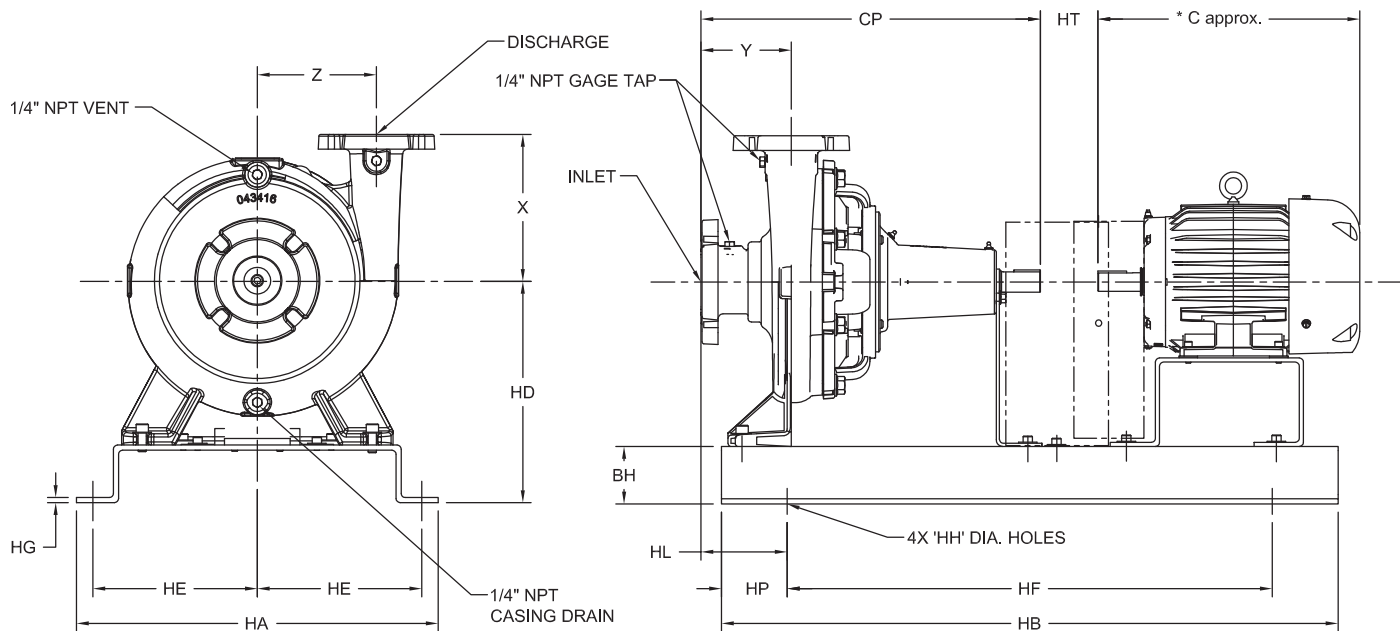
www.cranepumps.com

## End Suction Back Pull-Out

PUMP NO.		PUMP: TDH: GPM:		MOTOR: HP: RPM: PHASE: ENCLOSURE:		VOLTS: HZ: FRAME:	
FOR:		DATE:		FIGURE NO:			
CERT. BY:							

### CONNECTIONS FOR 125# STANDARD FLANGES

PUMP	DISCH. (INCH)	INLET (INCH)	HL	X	Y	Z	CP
3P	3.00	4.00	140	152	105	127	397



- NOTES:  
 1) All Dimension  $\pm$  3mm  
 2) Dimension \* C will vary based on motor brand

### CONNECTIONS FOR 125# STANDARD FLANGES

Motor Frame	Base No.	Riser No.	Guard No.	Guard Ext.	* C	HA	HB	HD	HE	HF	HG	HH	HP	HT	BH
184T	135697	135693	135100	N/A	405	381	940	267	165	737	8	19	102	89	89
213T	135888	135695	135102	N/A	454	406	1016	267	178	813	8	19	102	89	89
215T	135888	135695	135102	N/A	454	406	1016	267	178	813	8	19	102	89	89
254T	135317-04	*Q70-20-E4	135102	135926	592	483	1168	267	216	965	8	19	102	89	89
256T	135317-04	*Q70-20-E4	135102	135926	592	483	1168	267	216	965	8	19	102	89	89
284TS	135317-03	N/A	135102	135926	705	483	1168	273	216	965	8	19	102	89	89
286TS	135317-03	N/A	135102	135926	705	483	1168	273	216	965	8	19	102	89	89
324TS	135315-02	N/A	135625	N/A	731	610	1321	295	279	1118	8	19	102	89	89

\* = Quantity 4 Spacer Blocks.

SECTION 575  
PAGE 58  
DATE 11/16

**CRANE**  
A Crane Co. Company

PUMPS & SYSTEMS

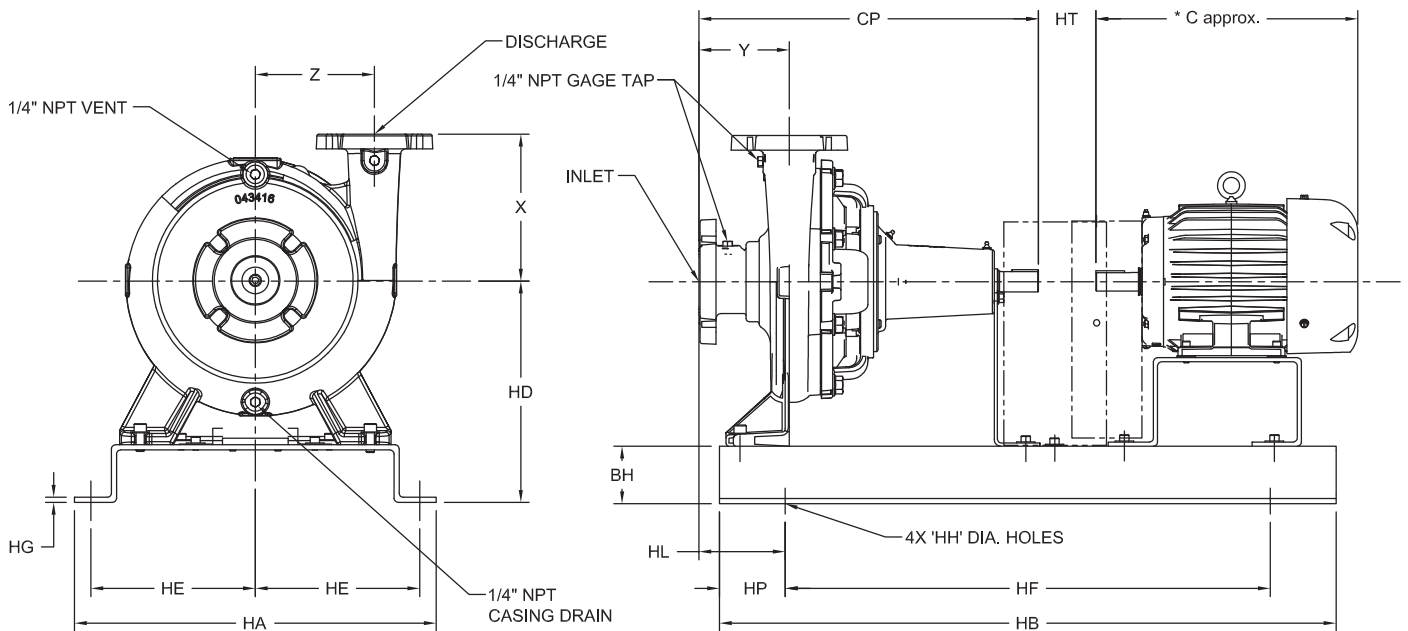
USA: (937) 778-8947 • Canada: (905) 457-6223 • International: (937) 615-3598

### End Suction Back Pull-Out

<b>PUMP NO.</b>	<b>PUMP:</b>	<b>MOTOR:</b>	<b>VOLTS:</b>
<b>FOR:</b>	<b>TDH:</b>	<b>HP:</b>	<b>HZ:</b>
<b>CERT. BY:</b>	<b>GPM:</b>	<b>RPM:</b>	<b>FRAME:</b>
<b>DATE:</b>	<b>FIGURE NO:</b>	<b>PHASE:</b>	<b>ENCLOSURE:</b>

CONNECTIONS FOR 125# STANDARD FLANGES

PUMP	DISCH. (INCH)	INLET (INCH)	HL	X	Y	Z	CP
4P	4.00	5.00	5.56	7.50	4.94	5.75	16.87



NOTES:

- 1) All Dimension  $\pm .13$
- 2) Dimension \* C will vary based on motor brand

CONNECTIONS FOR 125# STANDARD FLANGES

Motor Frame	Base No.	Riser No.	Guard No.	Guard Ext.	* C	HA	HB	HD	HE	HF	HG	HH	HP	HT	BH
143T	135303-01	135302	135537	N/A	12.29	16.00	33.25	11.50	7.25	25.25	0.31	0.75	4.00	3.50	3.50
145T	135303-01	135302	135537	N/A	12.29	16.00	33.25	11.50	7.25	25.25	0.31	0.75	4.00	3.50	3.50
182T	135303-01	135304	135537	135539	15.93	16.00	33.25	11.50	7.25	25.25	0.31	0.75	4.00	3.50	3.50
184T	135303-01	135304	135537	135539	15.93	16.00	33.25	11.50	7.25	25.25	0.31	0.75	4.00	3.50	3.50
213T	135306	135305	135537	135539	17.89	16.00	36.00	11.50	7.25	28.00	0.31	0.75	4.00	3.50	3.50
215T	135306	135305	135537	135539	17.89	16.00	36.00	11.50	7.25	28.00	0.31	0.75	4.00	3.50	3.50
254T	135308-01	135307	135538	N/A	23.29	16.00	41.25	11.50	8.25	33.25	0.31	0.75	4.00	3.50	3.50
256T	135308-01	135307	135538	N/A	23.29	16.00	41.25	11.50	8.25	33.25	0.31	0.75	4.00	3.50	3.50

\* = Quantity 4 Spacer Blocks.

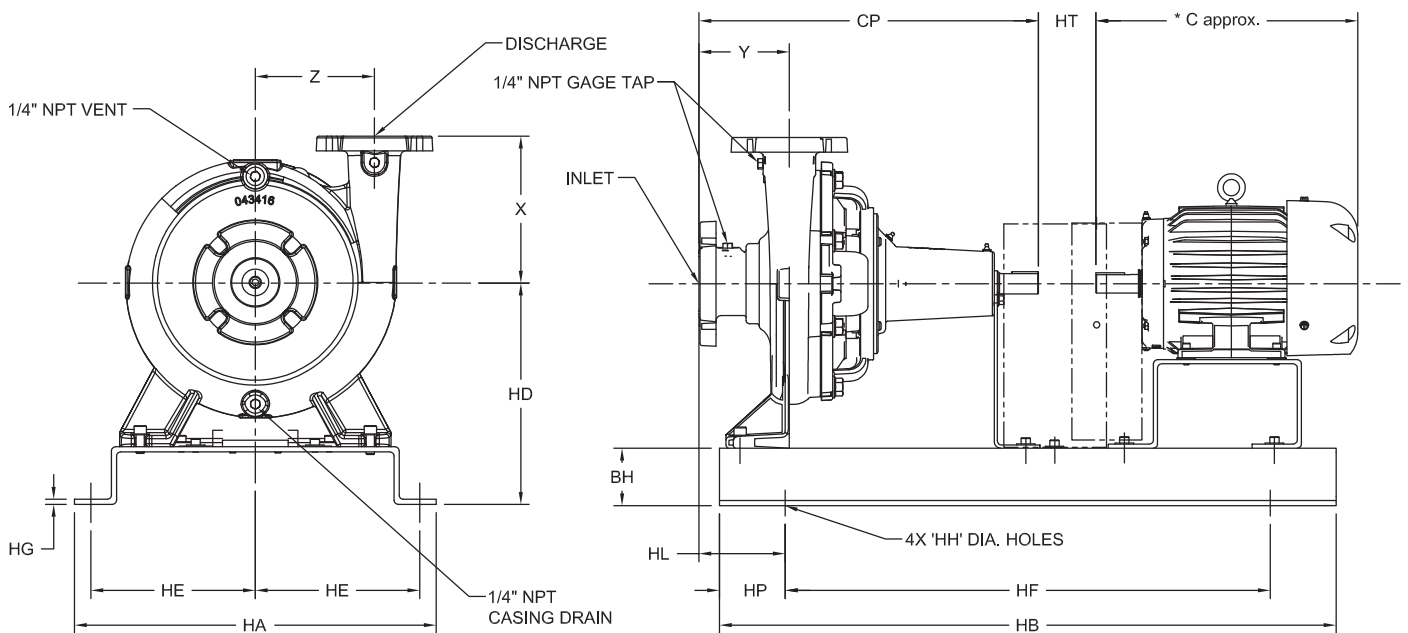


### End Suction Back Pull-Out

<b>PUMP NO.</b>	<b>PUMP:</b>	<b>MOTOR:</b>	<b>VOLTS:</b>
<b>FOR:</b>	<b>TDH:</b>	<b>HP:</b>	<b>HZ:</b>
<b>CERT. BY:</b>	<b>GPM:</b>	<b>RPM:</b>	<b>FRAME:</b>
<b>DATE:</b>	<b>FIGURE NO:</b>	<b>PHASE:</b>	
		<b>ENCLOSURE:</b>	

**CONNECTIONS FOR 125# STANDARD FLANGES**

PUMP	DISCH. (INCH)	INLET (INCH)	HL	X	Y	Z	CP
4P	4.00	5.00	5.56	7.50	4.94	5.75	20.75



**NOTES:**

- 1) All Dimension  $\pm .13$
- 2) Dimension \* C will vary based on motor brand

**CONNECTIONS FOR 125# STANDARD FLANGES**

Motor Frame	Base No.	Riser No.	Guard No.	Guard Ext.	* C	HA	HB	HD	HE	HF	HG	HH	HP	HT	BH
213T	135888-01	N/A	135625	N/A	17.89	16.00	40.00	11.50	7.25	32.00	0.31	0.75	4.00	3.50	3.50
215T	135888-01	135305	135102	N/A	17.89	16.00	40.00	11.50	7.25	32.00	0.31	0.75	4.00	3.50	3.50
254T	135930	135307	135102	135926	23.29	18.00	46.50	11.50	8.25	38.50	0.31	0.75	4.00	3.50	3.50
256T	135930	135307	135102	135926	23.29	18.00	46.50	11.50	8.25	38.50	0.31	0.75	4.00	3.50	3.50
284TS	135317-02	Q70-29-E4	135102	135926	27.76	19.00	46.00	11.50	8.50	38.00	0.31	0.75	4.00	3.50	3.50
286TS	135317-02	Q70-29-E4	135102	135926	27.76	19.00	46.00	11.50	8.50	38.00	0.31	0.75	4.00	3.50	3.50
324TS	135316-01	N/A	135625	N/A	28.78	22.00	51.00	11.75	10.00	43.00	0.31	0.75	4.00	3.50	3.50
326TS	135316-01	N/A	135625	N/A	28.78	22.00	51.00	11.75	10.00	43.00	0.31	0.75	4.00	3.50	3.50
364TS	135315	N/A	135625	N/A	31.36	24.00	52.00	12.63	11.00	44.00	0.31	0.75	4.00	3.50	3.50

\* = Quantity 4 Spacer Blocks.

# Type "P"

Models 4P, Medium  
Metric (Millimeters)

# WEINMAN®

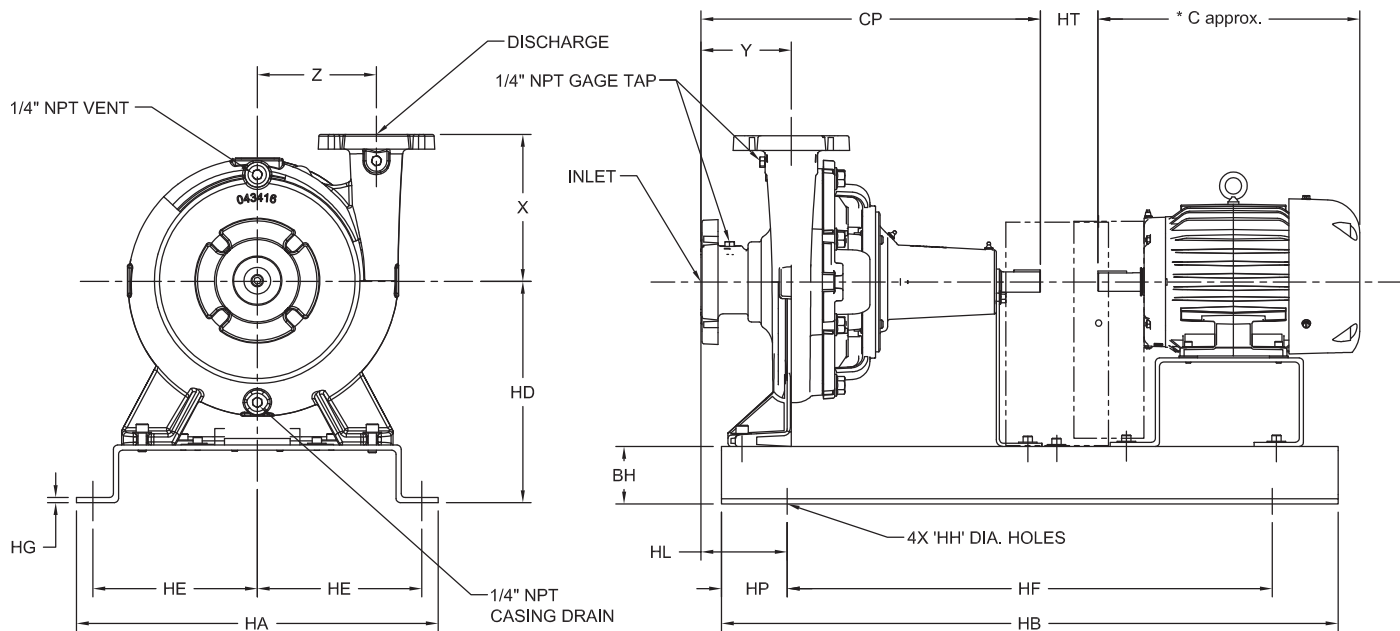
www.cranepumps.com

## End Suction Back Pull-Out

PUMP NO.		PUMP: TDH: GPM:		MOTOR: HP: RPM: PHASE: ENCLOSURE:		VOLTS: HZ: FRAME:	
FOR:		FIGURE NO:					
CERT. BY:		DATE:					

### CONNECTIONS FOR 125# STANDARD FLANGES

PUMP	DISCH. (INCH)	INLET (INCH)	HL	X	Y	Z	CP
4P	4.00	5.00	141	191	125	146	527



**NOTES:**

- 1) All Dimension  $\pm$  3mm
- 2) Dimension \* C will vary based on motor brand

### CONNECTIONS FOR 125# STANDARD FLANGES

Motor Frame	Base No.	Riser No.	Guard No.	Guard Ext.	* C	HA	HB	HD	HE	HF	HG	HH	HP	HT	BH
213T	135888-01	N/A	135625	N/A	454	406	1016	292	184	813	8	19	102	89	89
215T	135888-01	135305	135102	N/A	454	406	1016	292	184	813	8	19	102	89	89
254T	135930	135307	135102	135926	592	457	1181	292	210	978	8	19	102	89	89
256T	135930	135307	135102	135926	592	457	1181	292	210	978	8	19	102	89	89
284TS	135317-02	Q70-29-E4	135102	135926	705	483	1168	292	216	965	8	19	102	89	89
286TS	135317-02	Q70-29-E4	135102	135926	705	483	1168	292	216	965	8	19	102	89	89
324TS	135316-01	N/A	135625	N/A	731	559	1295	298	254	1092	8	19	102	89	89
326TS	135316-01	N/A	135625	N/A	731	559	1295	298	254	1092	8	19	102	89	89
364TS	135315	N/A	135625	N/A	797	610	1321	321	279	1118	8	19	102	89	89

\* = Quantity 4 Spacer Blocks.

SECTION 575  
PAGE 62  
DATE 11/16

**CRANE**  
A Crane Co. Company

**PUMPS & SYSTEMS**

USA: (937) 778-8947 • Canada: (905) 457-6223 • International: (937) 615-3598