

WARNING:

CANCER AND REPRODUCTIVE HARM -
WWW.P65WARNINGS.CA.GOV

Item No.	Name of Part	Item No.	Name of Part
1A	Casing (Lower Half)	31	Inboard Bearing Housing
1B	Casing (Upper Half)	* 32	Impeller Key
* 2	Impeller	33	Outboard Bearing Housing
* 6	Shaft	* 38	Shaft Sleeve Gasket
7	Casing Ring	40	Deflector (Liquid)
‡ 8	Impeller Ring (Not Shown)	41	Inboard Bearing Cap
* 13	Packing	43	Outboard Bearing Cap
* 14	Shaft Sleeve	63	Stuffing Box Bushing
* 16	Inboard Bearing	72	Thrust Collar
17	Stuffing Box Gland	73	Casing Gasket - Suction Side (Not Shown)
* 18	Outboard Bearing	73A	Casing Gasket - Discharge Side (Not Shown)
20	Shaft Sleeve Nut	127	Seal Piping
29	Seal Cage	192	Retaining Ring (Bearing)

* For domestic service we recommend these parts be carried in stock as spares

‡ Double Wearing Rings Furnished as Standard on 8" and larger pumps.
All other are special option.

Seal Piping (127) & Seal Cage (29) will be furnished only when suction pressure is less than atmospheric

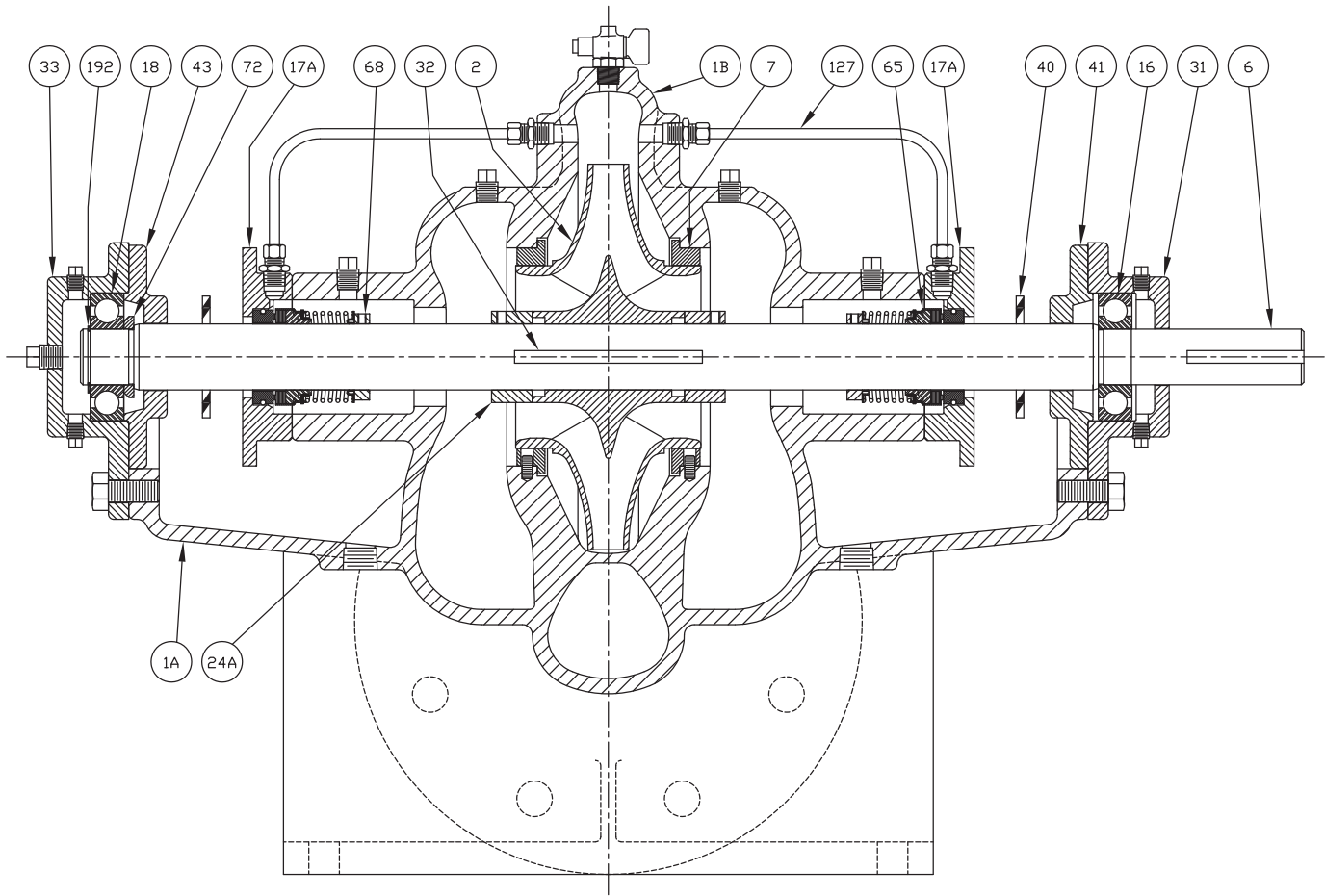
Assembly Parts

Types L1, L2, L3, L4, L5, L6 Split Case Pumps Double Suction
with Mechanical Shaft Seals - Bulletin Repair Parts - 1200

WEINMAN®

www.cranepumps.com

Repair Parts



WARNING:

CANCER AND REPRODUCTIVE HARM -
WWW.P65WARNINGS.CA.GOV

Item No.	Name of Part	Item No.	Name of Part
1A	Casing (Lower Half)	33	Outboard Bearing Housing
1B	Casing (Upper Half)	40	Deflector (Liquid)
* 2	Impeller	41	Inboard Bearing Cap
6	Shaft	43	Outboard Bearing Cap
7	Casing Ring	* 65	Mechanical Seal
‡ 8	Impeller Ring (Not Shown)	68	Seal Collar
* 16	Inboard Bearing	72	Thrust Collar
17A	Seal Cap	73	Casing Gasket - Suction Side (Not Shown)
* 18	Outboard Bearing	73A	Casing Gasket - Discharge Side (Not Shown)
24A	Shaft Collar	127	Seal Piping
31	Inboard Bearing Housing	192	Retaining Ring (Bearing)
* 32	Impeller Key		

* For domestic service we recommend these parts be carried in stock as spares

‡ Double Wearing Rings Furnished as Standard on 8" and larger pumps.
All other are special option.

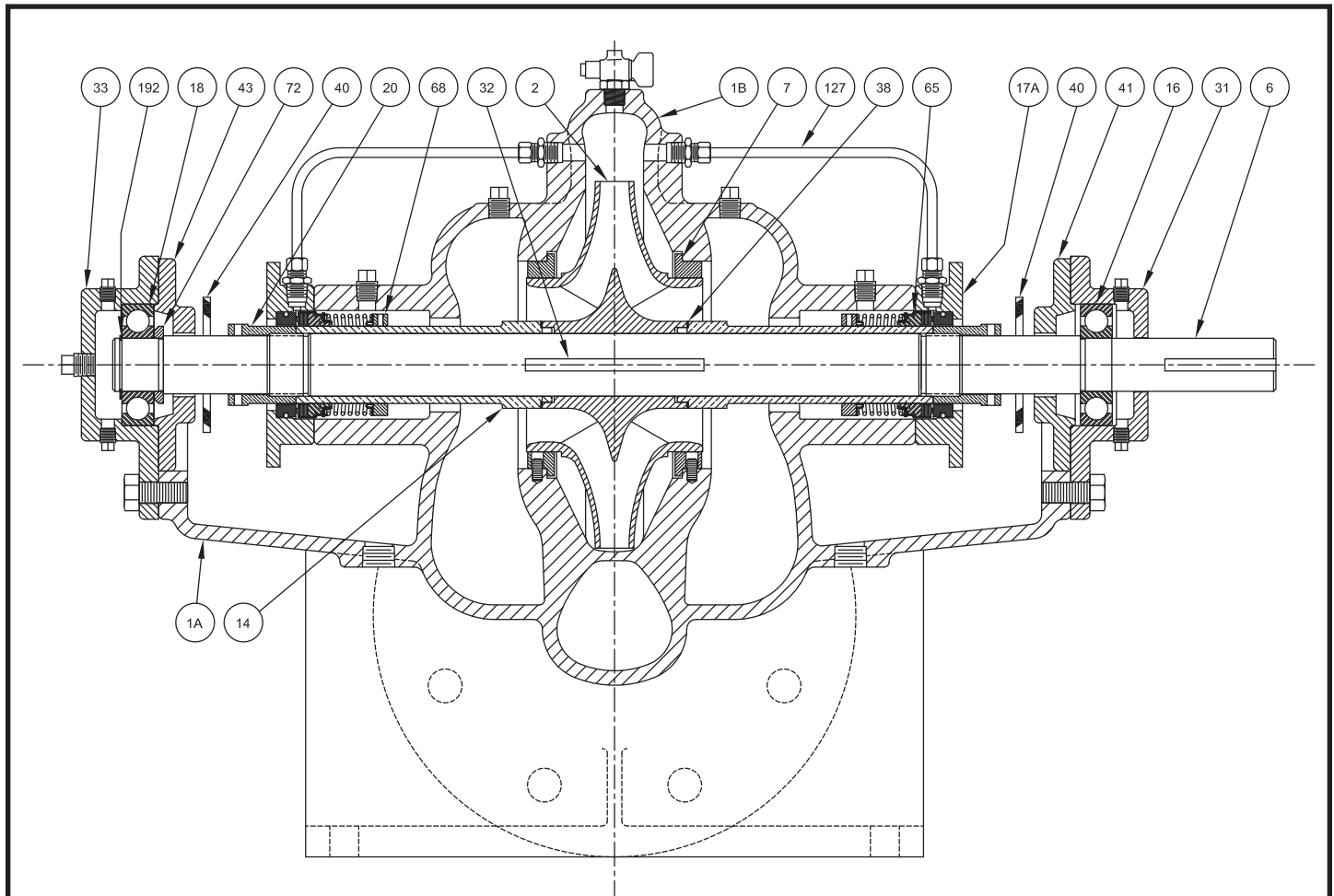
Seal Piping (127) & Seal Cage (29) will be furnished only when suction pressure is less than atmospheric

SECTION RP
PAGE 196
DATE 10/18

CRANE
A Crane Co. Company

PUMPS & SYSTEMS

USA: (937) 778-8947 • Canada: (905) 457-6223 • International: (937) 615-3598



WARNING:

CANCER AND REPRODUCTIVE HARM -
WWW.P65WARNINGS.CA.GOV

Item No.	Name of Part	Item No.	Name of Part
1A	Casing (Lower Half)	33	Outboard Bearing Housing
1B	Casing (Upper Half)	38	Shaft Sleeve Gasket
* 2	Impeller	40	Deflector (Liquid)
6	Shaft	41	Inboard Bearing Cap
7	Casing Ring	43	Outboard Bearing Cap
‡ 8	Impeller Ring (Not Shown)	* 65	Mechanical Seal
* 16	Inboard Bearing	68	Seal Collar
14	Shaft Sleeve	72	Thrust Collar
17A	Seal Cap	73	Casing Gasket - Suction Side (Not Shown)
* 18	Outboard Bearing	73A	Casing Gasket - Discharge Side (Not Shown)
20	Shaft Sleeve Nut	127	Seal Piping
31	Inboard Bearing Housing	192	Retaining Ring (Bearing)
* 32	Impeller Key		

* For domestic service we recommend these parts be carried in stock as spares

‡ Double Wearing Rings Furnished as Standard on 8" and larger pumps.
All other are special option.

Seal Piping (127) & Seal Cage (29) will be furnished only when suction pressure is less than atmospheric

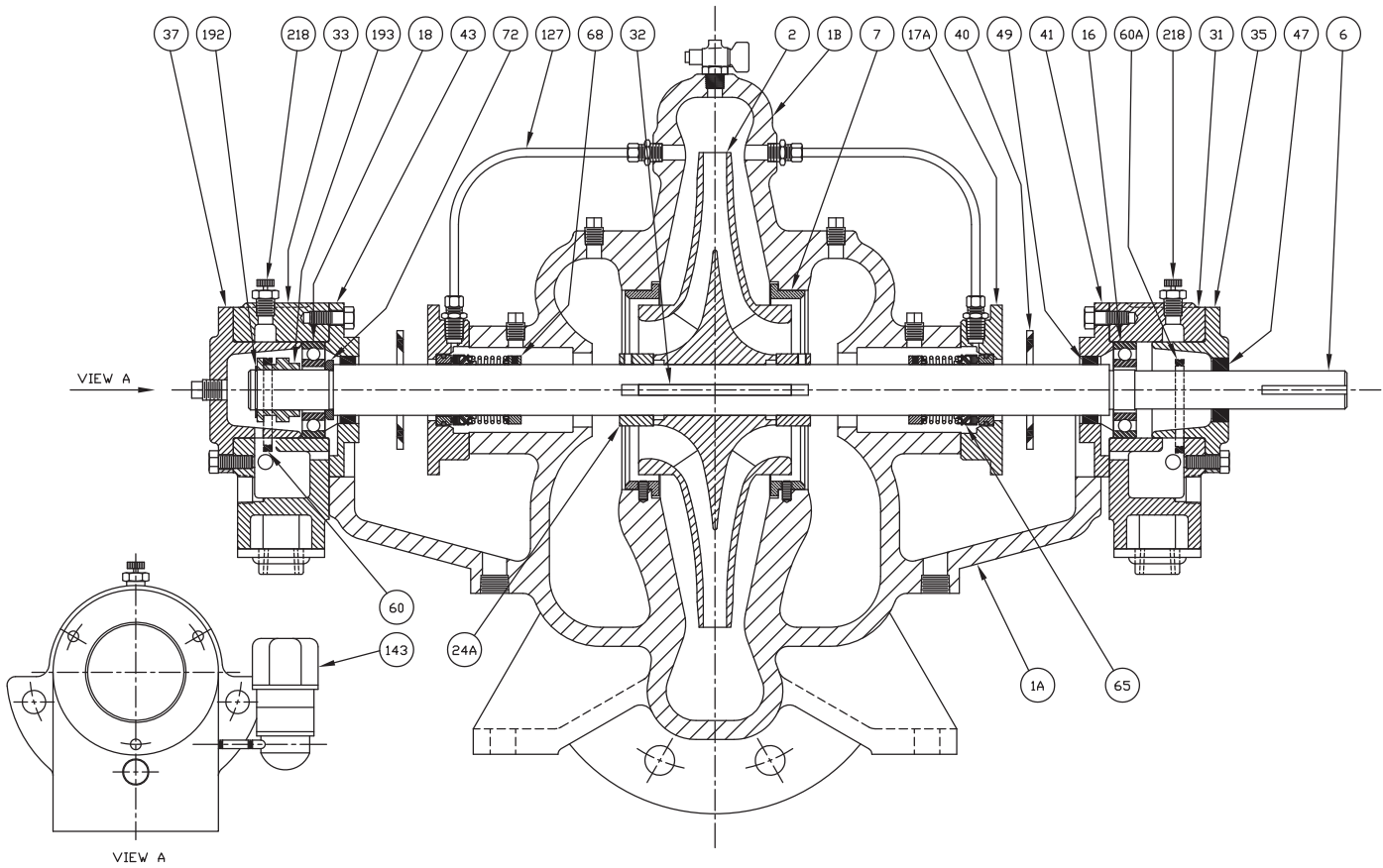
Assembly Parts



Types L1, L2, L3, L4, L5, L6 Split Case Pumps Double Suction with Oil Lubricated Bearings (with Mechanical Shaft Seal) - Bulletin Repair Parts - 1200

www.cranepumps.com

Repair Parts



WARNING:
 CANCER AND REPRODUCTIVE HARM -
 WWW.P65WARNINGS.CA.GOV

Item No.	Name of Part	Item No.	Name of Part	Item No.	Name of Part
1A	Casing (Lower Half)	33	Outboard Bearing Housing	72	Thrust Collar
1B	Casing (Upper Half)	35	Inboard Bearing Cover	73	Casing Gasket - Suction Side (Not Shown)
* 2	Impeller	37	Outboard Bearing Cover	73A	Casing Gasket - Discharge Side (Not Shown)
6	Shaft	40	Deflector (Liquid)	127	Seal Piping
7	Casing Ring	41	Inboard Bearing Cap	143	Constant Level Oiler
‡ 8	Impeller Ring (Not Shown)	43	Outboard Bearing Cap	192	Bearing Retaining Ring
* 16	Inboard Bearing	* 47	Inboard Bearing Cover Seal	193	Ring Guide
17A	Seal Cap	* 49	Bearing Cap Seal	* 194	Inboard Bearing Housing Gaskets
* 18	Outboard Bearing	* 60	Outboard Oil Ring	* 195	Outboard Bearing Housing Gaskets
24A	Shaft Collar	* 60A	Inboard Oil Ring	218	Plug Vent
31	Inboard Bearing Housing	* 65	Mechanical Seal		
* 32	Impeller Key	68	Seal Collar		

* For domestic service we recommend these parts be carried in stock as spares
 ‡ Double Wearing Rings Furnished as Standard on 8" and larger pumps.
 All other are special option.
 Seal Piping (127) & Seal Cage (29) will be furnished only when suction pressure is less than atmospheric

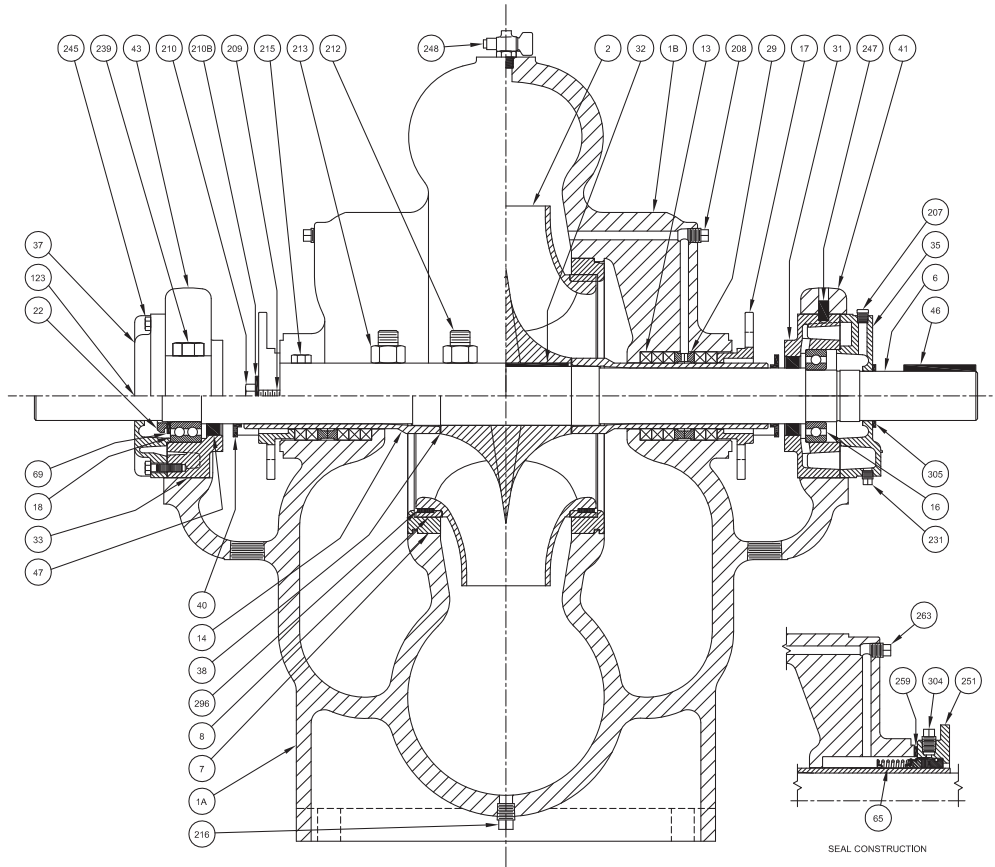
SECTION RP
 PAGE 198
 DATE 10/18



PUMPS & SYSTEMS

A Crane Co. Company

USA: (937) 778-8947 • Canada: (905) 457-6223 • International: (937) 615-3598



WARNING:
CANCER AND REPRODUCTIVE HARM -
WWW.P65WARNINGS.CA.GOV

Item No.	Name of Part	Item No.	Name of Part	Item No.	Name of Part
1A	Casing (Lower Half)	35	Inboard Bearing Cover	212	Studs
1B	Casing (Upper Half)	37	Outboard Bearing Cover	213	Nuts
2	Impeller	38	Shaft Sleeve Gasket	215	Cap Screws
6	Shaft	40	Deflector (Liquid)	216	Pipe Plug
7	Casing Ring	41	Inboard Bearing Cap	231	Pipe Plug
8	Impeller Ring	43	Outboard Bearing Cap	239	Cap Screws
* 13	Packing	46	Coupling Key	245	Cap Screws
* 14	Shaft Sleeve	47	Inboard Bearing Cover Seal	246	Dowel Pin
* 16	Inboard Ball Bearing	* 65	Mechanical Seal	247	Dowel Pin
17	Stuffing Box Gland	69	Lock Washer	248	Pet Cock
* 18	Outboard Ball Bearing	73	Parting Gasket	251	Seal Cap
22	Lock Nut	123	Bearing End Cover	* 259	Seal Gasket
29	Lantern Ring	207	Grease Fitting	263	Pipe Plug (Socket Head)
31	Inboard Bearing Housing	208	Pipe Plug		when specified
32	Impeller Key	209	Swing Bolt	296	Set Screws
33	Outboard Bearing Housing	210	Nuts	304	Pipe Plug
				305	Forsheda Ring

* For domestic service we recommend these parts be carried in stock as spares

‡ Double Wearing Rings Furnished as Standard on 8" and larger pumps.
All other are special option.

Seal Piping (127) & Seal Cage (29) will be furnished only when suction pressure is less than atmospheric

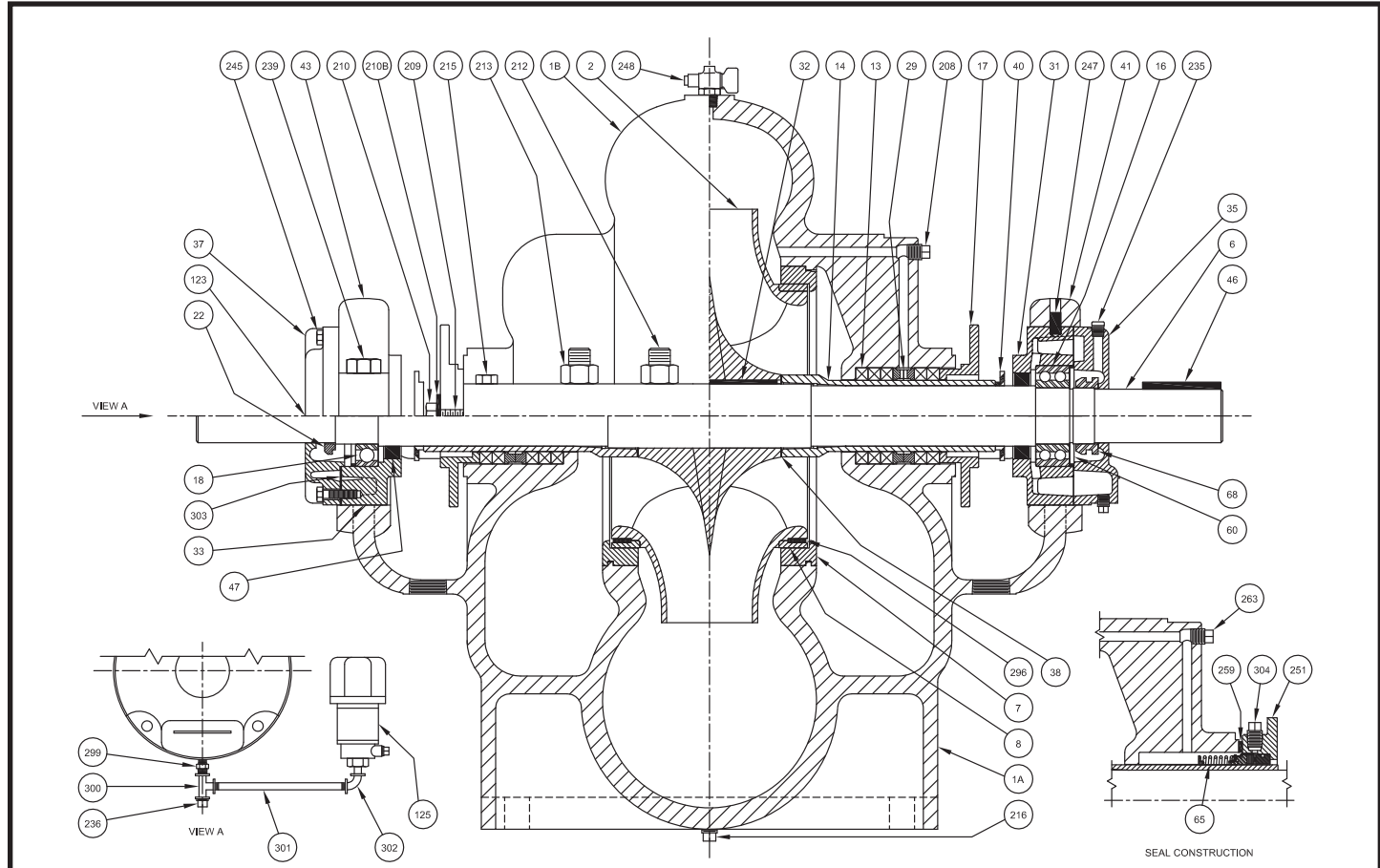
Assembly Parts



Types L7, L8 Horizontal Split Case,
Grease Lubricated - Bulletin Repair Parts - 1200

www.cranepumps.com

Repair Parts



WARNING:
CANCER AND REPRODUCTIVE HARM -
WWW.P65WARNINGS.CA.GOV

Item No.	Name of Part	Item No.	Name of Part	Item No.	Name of Part	Item No.	Name of Part
1A	Casing (Lower Half)	32	Impeller Key	123	Bearing End Cover	247	Dowel Pin
1B	Casing (Upper Half)	33	Outboard Bearing Housing	125	Oiler	248	Pet Cock
2	Impeller	35	Inboard Bearing Cover	208	Pipe Plug	251	Seal Cap
6	Shaft	37	Outboard Bearing Cover	209	Swing Bolt	* 259	Seal Gasket
7	Casing Ring	38	Shaft Sleeve Gasket	210	Nuts	263	Pipe Plug when specified
8	Impeller Ring	40	Deflector	212	Studs	296	Set Screws
* 13	Packing	41	Inboard Bearing Cap	213	Nuts	299	Nipple Reducing
* 14	Shaft Sleeve	43	Outboard Bearing Cap	215	Cap Screws	300	Tee
* 16	Inboard Ball Bearing	46	Coupling Key	216	Pipe Plug	301	Nipple
17	Stuffing Box Gland	47	Inboard Bearing Cover Seal	235	Vent	302	Street Elbow
* 18	Outboard Ball Bearing	60	Oil Ring	236	Pipe Plug	303	Bearing Cover Gasket
22	Lock Nut	* 65	Mechanical Seal	239	Cap Screws	304	Pipe Plug
29	Lantern Ring	68	Shaft Collar	245	Cap Screws		
31	Inboard Bearing Housing	73	Parting Gasket	246	Dowel Pin		

* For domestic service we recommend these parts be carried in stock as spares
 ‡ Double Wearing Rings Furnished as Standard on 8" and larger pumps.
 All other are special option.
 Seal Piping (127) & Seal Cage (29) will be furnished only when suction pressure is less than atmospheric

SECTION RP
PAGE 200
DATE 10/18



PUMPS & SYSTEMS

1200 Series with Stuffing Box	2L4A	2L4B	2L5	2L6	3L4	Qty.
1 Casing - 125# (Iron)	C5207-1-A2	C5207-1-A2	C5306-A2	C5317-11-A2	C5293-A2	1
1 Casing - 250# (Iron)	N/A	N/A	N/A	N/A	C5293-10-A2	1
1 Casing - 250# (Ductile Iron)	C5207-11-A12	C5207-11-A12	C5306-10-A12	C5317-12-A12	C5293-10-A12	1
2 Impeller (BRZ)	C5223-1-B25	C5223-1-B25	C329465P01-B25	C5318-B25	C5294-B25	1
6 Shaft (Steel)	C5339-E22	C5339-E22	C5339-E22	C5339-E22	C5346-E22	1
7 Casing Ring (BRZ)	A5047-2-C9	A5047-2-C9	A5045-5-C9	A5045-5-C9	A5045-5-C9	2
7 Casing Ring (BRZ)	A5047-1-C9	A5047-1-C9	A5045-4-C9	A5045-4-C9	A5045-4-C9	2
8 Impeller Ring (BRZ)	A5058-C9	A5058-C9	A5056-C9	A5056-C9	A5056-C9	2
13 Packing	*Q27-61-M2	*Q27-61-M2	*Q27-61-M2	*Q27-61-M2	*Q27-62-M2	1
14 Shaft Sleeve (416 SS)	B4000-3-J2	B4000-3-J2	B4000-3-J2	B4000-3-J2	B4100-6-J2	2
16 Inboard Bearing (Steel)	Q10-36-E4	Q10-36-E4	Q10-36-E4	Q10-36-E4	625-00719	1
17 Stuffing Box Gland (BRZ)	A5197-B12	A5197-B12	A5197-B12	A5197-B12	A5198-B5	2
18 Outboard Bearing (Steel)	Q10-36-E4	Q10-36-E4	Q10-36-E4	Q10-36-E4	625-00719	1
20 Shaft Sleeve Nut (BRZ)	A5338-C9	A5338-C9	A5338-C9	A5338-C9	A5348-C9	2
29 Seal Cage / Lantern Ring (Teflon)	A6074-V2	A6074-V2	A6074-V2	A6074-V2	A5350-V2	2
31 Inboard Bearing Housing (Iron)	B5337-1-A2	B5337-1-A2	B5337-1-A2	B5337-1-A2	B5347-1-A2	1
32 Impeller Key (303 SS)	Q21-84-J8	Q21-84-J8	Q21-84-J8	Q21-84-J8	Q21-23-J8	1
33 Outboard Bearing Housing (Iron)	B5337-A2	B5337-A2	B5337-A2	B5337-A2	B5347-A2	1
38 Shaft Sleeve Gasket (Lexide)	H1043-2-L14	H1043-2-L14	H1043-2-L14	H1043-2-L14	H1043-4-L14	2
40 Liquid Deflector (Rubber)	H1936-15-K2	H1936-15-K2	H1936-15-K2	H1936-15-K2	H1936-9-K2	2
41 Inboard Bearing Cap (Iron)	B4298-A2	B4298-A2	B4298-A2	B4298-A2	B4103-A2	1
43 Outboard Bearing Cap (Iron)	B4298-A2	B4298-A2	B4298-A2	B4298-A2	B4103-A2	1
63 Stuffing Box Bushing (18-8 SS)	A7192-J10	A7192-J10	A7192-J10	A7192-J10	A6759-J2	2
72 Thrust Collar (Steel)	A5340-E4	A5340-E4	A5340-E4	A5340-E4	A5351-E4	1
73 Casing Gasket (Cellulose)	B5237-1-L13	B5237-1-L13	B5308-L13	B5319-1-L13	B5295-L13	1
73A Casing Gasket (Cellulose)	B5238-1-L13	B5238-1-L13	B5309-L13	B5320-L13	B5296-L13	1
127 Seal Piping	Q30-6-V6	Q30-6-V6	Q30-6-V6	Q30-6-V6	Q30-6-V6	1
192 Retaining Ring (Steel)	Q27-55-E4	Q27-55-E4	Q27-55-E4	Q27-55-E4	Q27-56-E4	2

* Recommended Spare Parts

Repair Parts

1200 Series with Stuffing Box	3L5	3L6	4L1A	4L1B	4L1C	4L2	Qty.
1 Casing - 125# (Iron)	C5321-11-A2	C5617-A2	C6626-A2	C6626-A2	C6626-A2	C6663-A2	1
1 Casing - 250# (Iron)	C5321-12-A2	C5617-10-A2	N/A	N/A	N/A	C6663-10-A2	1
1 Casing - 250# (Ductile Iron)	C5321-12-A12	C5617-10-A12	C6626-10-A12	C6626-10-A12	C6626-10-A12	C6663-10-A12	1
2 Impeller (BRZ)	C5322-B25	C5618-B25	C6813-B25	C5322-B25	C6813-10-B25	C7665-B25	1
6 Shaft (Steel)	C5346-E22	C5339-E22	C5346-E22	C5346-E22	C5346-E22	C5339-E22	1
7 Casing Ring (BRZ)	A5045-5-C9	A5045-5-C9	A5052-4-C9	A5052-4-C9	A5052-4-C9	A5044-3-C9	2
7 Casing Ring (BRZ)	A5045-4-C9	A5045-4-C9	A5052-1-C9	A5052-4-C9	A5052-1-C9	A5044-1-C9	2
8 Impeller Ring (BRZ)	A5056-C9	A5056-C9	A5062-C9	A5847-C9	A5062-C9	A5055-C9	2
13 Packing	Q27-62-M2	*Q27-61-M2	Q27-62-M2	Q27-62-M2	Q27-62-M2	*Q27-61-M2	1
14 Shaft Sleeve (416 SS)	B4100-6-J2	B4000-3-J2	B4100-6-J2	B4100-6-J2	B4100-6-J2	B4000-3-J2	2
16 Inboard Bearing (Steel)	625-00719	Q10-36-E4	625-00719	625-00719	625-00719	Q10-36-E4	1
17 Stuffing Box Gland (Brass)	A5198-B5	A5197-B12	A5198-B5	A5198-B5	A5198-B5	A5197-B12	2
18 Outboard Bearing (Steel)	625-00719	Q10-36-E4	625-00719	625-00719	625-00719	Q10-36-E4	1
20 Shaft Sleeve Nut (BRZ)	A5348-C9	A5338-C9	A5348-C9	A5348-C9	A5348-C9	A5338-C9	2
29 Seal Cage / Lantern Ring (Teflon)	A-5350-V2	A6074-V2	A5350-V2	A5350-V2	A5350-V2	A6074-V2	2
31 Inboard Bearing Housing (Iron)	B5347-1-A2	B5337-1-A2	B5347-1-A2	B5347-1-A2	B5347-1-A2	B5337-1-A2	1
32 Impeller Key (303 SS)	Q21-23-J8	Q21-84-J8	Q21-23-J8	Q21-23-J8	Q21-23-J8	Q21-84-J8	1
33 Outboard Bearing Housing (Iron)	B5347-A2	B5337-A2	B5347-A2	B5347-A2	B5347-A2	B5337-A2	1
38 Shaft Sleeve Gasket (Lexide)	H1043-4-L14	H1043-2-L14	H1043-4-L14	H1043-4-L14	H1043-4-L14	H1043-2-L14	2
40 Liquid Deflector (Rubber)	H1936-9-K2	H1936-15-K2	H1936-9-K2	H1936-9-K2	H1936-9-K2	H1936-15-K2	2
41 Inboard Bearing Cap (Iron)	B4103-A2	B4298-A2	B4103-A2	B4103-A2	B4103-A2	B4298-A2	1
43 Outboard Bearing Cap (Iron)	B4103-A2	B4298-A2	B4103-A2	B4103-A2	B4103-A2	B4298-A2	1
63 Stuffing Box Bushing (416 SS)	A6759-J2	A7192-J10	A6759-J2	A6759-J2	A6759-J2	A7192-J10	2
72 Thrust Collar (Steel)	A5351-E4	A5340-E4	A5351-E4	A5351-E4	A5351-E4	A5340-E4	1
73 Casing Gasket (Cellulose)	C7484-L13	B5627-L13	C6632-L13	C6632-L13	C6632-L13	C6668-L13	1
73A Casing Gasket (Cellulose)	C7485-L13	B5628-L13	C6633-L13	C6633-L13	C6633-L13	C6669-L13	1
127 Seal Piping	Q30-6-V6	Q30-6-V6	Q30-6-V6	Q30-6-V6	Q30-6-V6	Q30-6-V6	1
192 Retaining Ring (Steel)	Q27-56-E4	Q27-55-E4	Q27-56-E4	Q27-56-E4	Q27-56-E4	Q27-56-E4	2

* Recommended Spare Parts

	1200 Series with Stuffing Box	4L3	4L4	5L1	5L2	Qty.
1	Casing - 125# (Iron)	C3997-A2	C5299-10-A2	C6638-A2	C6523-A2	1
1	Casing - 250# (Iron)	C3997-10-A2	C5299-11-A2	C6638-10-A2	C6523-10-A2	1
1	Casing - 250# (Ductile Iron)	C3997-10-A12	C5299-11-A12	C6638-10-A12	C6523-10-A12	1
2	Impeller (BRZ)	B3999-B25	C5300-B25	3369-1-B25	C6535-10-B25	1
6	Shaft (Steel)	C5339-E22	C5352-E22	C5352-E22	C5346-E22	1
7	Casing Ring (BRZ)	A5045-5-C9	A5044-3-C9	A5048-C9	A5052-4-C9	2
7	Casing Ring (BRZ)	A5045-4-C9	A5044-1-C9	A5048-1-C9	A5052-1-C9	2
8	Impeller Ring (BRZ)	A5056-C9	A5055-C9	A5059-C9	A5062-C9	2
13	Packing	*Q27-61-M2	*Q27-63-M2	*Q27-63-M2	Q27-62-M2	1
14	Shaft Sleeve (416 SS)	B4000-3-J2	B4205-3-J2	B4205-3-J2	B4100-6-J2	2
16	Inboard Bearing (Steel)	Q10-36-E4	M-6142	M-6142	625-00719	1
17	Stuffing Box Gland (BRZ)	A5197-B12	A5199-B12	A5199-B12	A5198-B5	2
18	Outboard Bearing (Steel)	Q10-36-E4	M-6142	M-6142	625-00719	1
20	Shaft Sleeve Nut (BRZ)	A5338-C9	A5354-C9	A5354-C9	A5348-C9	2
29	Seal Cage / Lantern Ring (Teflon)	A6074-V2	A5356-V2	A5356-V2	A5350-V2	2
31	Inboard Bearing Housing (Iron)	B5337-1-A2	B5353-1-A2	B5353-1-A2	B5347-1-A2	1
32	Impeller Key (303 SS)	Q21-5-J8	Q21-22-J8	Q21-22-J8	Q21-23-J8	1
33	Outboard Bearing Housing (Iron)	B5337-A2	B5353-A2	B5353-A2	B5347-A2	1
38	Shaft Sleeve Gasket (Lexide)	H1043-2-L14	H1043-5-L14	H1043-5-L14	H1043-4-L14	2
40	Liquid Deflector (Rubber)	H1936-15-K2	H1936-16-K2	H1936-16-K2	H1936-9-K2	2
41	Inboard Bearing Cap (Iron)	B4298-A2	B5375-A2	B5375-A2	B4103-A2	1
43	Outboard Bearing Cap (Iron)	B4298-A2	B5375-A2	B5375-A2	B4103-A2	1
63	Stuffing Box Bushing (18-8 SS)	A7192-J10	A7804-J2	A7804-J2	A6759-J2	2
72	Thrust Collar (Steel)	A5340-E4	A5357-E4	A5357-E4	A5351-E4	1
73	Casing Gasket (Cellulose)	3488-1-L13	B5301-L13	C7576-L13	C6537-L13	1
73A	Casing Gasket (Cellulose)	3488-2-L13	B5302-L13	C7577-L13	C6538-L13	1
127	Seal Piping	Q30-6-V6	Q30-6-V6	Q30-6-V6	Q30-6-V6	1
192	Retaining Ring (Steel)	Q27-55-E4	Q27-50-E4	Q27-50-E4	Q27-56-E4	2

* Recommended Spare Parts

Repair Parts

	1200 Series with Stuffing Box	5L3	6L1	6L2	6L3	Qty.
1	Casing - 125# (Iron)	C4015-12-A2	C6677-A2	C8703-A2	C4054-11-A2	1
1	Casing - 250# (Iron)	C4015-13-A2	C6677-10-A2	C8703-10-A2	C4054-12-A2	1
1	Casing - 250# (Ductile Iron)	C4015-13-A12	C6677-10-A12	C8703-10-A12	C4054-12-A12	1
2	Impeller (BRZ)	3049-1-B25	B4343-B25	C5244-11-B25	B4040-B25	1
6	Shaft (Steel)	C5339-E22	C5358-E22	C5352-E22	C5346-E22	1
7	Casing Ring (BRZ)	A5042-2-C9	A5050-C9	A5048-C9	A5052-4-C9	2
7	Casing Ring (BRZ)	A5042-4-C9	A5050-1-C9	A5048-1-C9	A5052-1-C9	2
8	Impeller Ring (BRZ)	C5053-1-C9	A5060-C9	A5059-C9	A5062-C9	2
13	Packing	*Q27-61-M2	*Q27-87-M2	*Q27-63-M2	Q27-62-M2	1
14	Shaft Sleeve (416 SS)	B4000-3-J2	B5364-3-J2	B4205-3-J2	B4100-6-J2	2
16	Inboard Bearing (Steel)	Q10-36-E4	052935	M-6142	625-00719	1
17	Stuffing Box Gland (BRZ)	A5197-B12	A5201-2-B12	A5199-B12	A5198-B5	2
18	Outboard Bearing (Steel)	Q10-36-E4	052935	M-6142	625-00719	1
20	Shaft Sleeve Nut (BRZ)	A5338-C9	A5360-C9	A5354-C9	A5348-C9	2
29	Seal Cage / Lantern Ring (Teflon)	A6074-V2	A5362-V2	A5356-V2	A5350-V2	2
31	Inboard Bearing Housing (Iron)	B5337-1-A2	B5359-1-A2	B5353-1-A2	B5347-1-A2	1
32	Impeller Key (303 SS)	Q21-84-J8	Q21-37-J8	Q21-22-J8	Q21-23-J8	1
33	Outboard Bearing Housing (Iron)	B5337-A2	B5359-A2	B5353-A2	B5347-A2	1
38	Shaft Sleeve Gasket (Lexide)	H1043-2-L14	H1043-7-L14	H1043-5-L14	H1043-4-L14	2
40	Liquid Deflector (Rubber)	H1936-15-K2	H1936-5-K2	H1936-16-K2	H1936-9-K2	2
41	Inboard Bearing Cap (Iron)	B4298-A2	B4211-A2	B5375-A2	B4103-A2	1
43	Outboard Bearing Cap (Iron)	B4298-A2	B4211-A2	B5375-A2	B4103-A2	1
63	Stuffing Box Bushing (18-8 SS)	A7192-J10	A8696-J2	A7804-J2	A6759-A2	2
72	Thrust Collar (Steel)	A5340-E4	A5363-E4	A5357-E4	A5351-E4	1
73	Casing Gasket (Cellulose)	C7542-2-L13	C6687-L13	C8718-L13	C7505-L13	1
73A	Casing Gasket (Cellulose)	3491-1-L13	C6688-L13	C8719-L13	C7506-L13	1
127	Seal Piping	Q30-6-V6	Q30-6-V6	Q30-6-V6	Q30-6-V6	1
192	Retaining Ring (Steel)	Q27-55-E4	Q27-57-E4	Q27-50-E4	Q27-56-E4	2

* Recommended Spare Parts

1200 Series with Stuffing Box	8L1 **	8L2A **	8L2B **	8L3 **	10L2A **	Qty.
1 Casing - 125# (Iron)	C8325-A2	C6585-10-1-A2	*C6585-10-2-A2	C4521-A2	C4785-11-3-A2	1
1 Casing - 250# (Iron)	N/A	C6585-10-A12	N/A	C4521-11-A2	N/A	1
1 Casing - 250# (Ductile Iron)	C8325-1-A12	C6585A-10-A12	C6585A-10-3-A12	C4521-11-A12	C4785-11-2-A12	1
2 Impeller (BRZ)	4173-1-B25	B4366-B25	C8141-B25	B4487-B25	C6357-B25	1
6 Shaft (Steel)	B5788-E22	C5358-E22	C5358-E22	C5352-E22	C5719-E22	1
7 Casing Ring (BRZ)	A5049-C9	A5050-1-C9	A8142-C9	A5046-C9	A5049-C9	2
8 Impeller Ring (BRZ)	A5084-C9	A5060-C9	A8189-C9	A5057-C9	A5084-C9	2
13 Packing	*Q27-67-M2	*Q27-87-M2	*Q27-87-M2	*Q27-63-M2	*Q27-66-M2	1
14 Shaft Sleeve (416 SS)	B5789-4-J2	B5364-3-J2	B5364-3-J2	B4205-3-J2	B5170-3-J2	2
16 Inboard Bearing	M-4342	052935	052935	M-6142	073599	1
17 Stuffing Box Gland (BRZ)	A5202-B12	A5201-2-B12	A5201-2-B12	A5199-B12	A5201-B12	2
18 Outboard Bearing (Steel)	Q10-108-E4	052935	052935	M-6142	073599	1
20 Shaft Sleeve Nut (BRZ)	A5798-C9	A5360-C9	A5360-C9	A5354-C9	A5718-C9	2
29 Seal Cage / Lantern Ring (Teflon)	A8378-V2	A5362-V2	A5362-V2	A5356-V2	A5167-V2	2
31 Inboard Bearing Housing (Iron)	B4773-1-A2	B5359-1-A2	B5359-1-A2	B5353-1-A2	B4348-1-A2	1
32 Impeller Key (303 SS)	Q21-48-J8	Q21-37-J8	Q21-37-J8	Q21-22-J8	Q21-52-J8	1
33 Outboard Bearing Housing (Iron)	B4772-1-A2	B5359-A2	B5359-A2	B5353-A2	B4347-A2	1
38 Shaft Sleeve Gasket (Lexide)	H1043-9-L14	H1043-7-L14	H1043-7-L14	H1043-5-L14	H1043-7-L14	2
40 Liquid Deflector (Rubber)	H1936-14-K2	H1936-5-K2	H1936-5-K2	H1936-16-K2	H1936-5-K2	2
41 Inboard Bearing Cap (Iron)	B5790-A2	B4211-A2	B4211-A2	B5375-A2	B4349-A2	1
43 Outboard Bearing Cap (Iron)	B5790-A2	B4211-A2	B4211-A2	B5375-A2	B4349-A2	1
63 Stuffing Box Bushing (18-8 SS)	A8698-J10	A8696-J2	A8696-J2	A7804-J2	A8697-J10	2
72 Thrust Collar (Steel)	N/A	A5363-E4	A5363-E4	A5357-E4	A5720-E4	1
73 Casing Gasket (Cellulose)	B8326-L13	B7390-L13	B7390-L13	C5700-L13	4217-6-L13	1
73A Casing Gasket (Cellulose)	B8327-L13	B7391-L13	B7391-L13	C5700-L13	4217-7-L13	1
127 Seal Piping	Q30-6-V6	Q30-6-V6	Q30-6-V6	Q30-6-V6	Q30-6-V6	1
192 Retaining Ring	N/A	N/A	N/A	N/A	N/A	2

* Recommended Spare Parts
 ** Double Wear Ring

Repair Parts

	1200 Series with Stuffing Box	10L3A **	10L3B **	12L2A **	12L2B **	12L2C **	Qty.
1	Casing - 125# (Iron)	C8319-A2	C8319-A2	C6473-10-1-A2	C6473-10-1-A2	N/A	1
1	Casing - 250# (Iron)	N/A	N/A	N/A	N/A	N/A	1
1	Casing - 250# (Ductile Iron)	C8319-1-A12	C8319-1-A12	C6473-10-A12	C6473-10-A12	N/A	1
2	Impeller (BRZ)	C8530-B25	B4066-B25	C6634-B25	C8531-B25	N/A	1
6	Shaft (Steel)	C5358-E22	C5358-E22	B5788-E22	B5788-E22	N/A	1
7	Casing Ring (BRZ)	A5051-C9	A5051-C9	A6497-C9	A6497-C9	N/A	2
8	Impeller Ring (BRZ)	A5083-C9	A5082-C9	A6496-C9	A6496-C9	N/A	2
13	Packing	*Q27-87-M2	*Q27-87-M2	*Q27-67-M2	*Q27-67-M2	N/A	1
14	Shaft Sleeve (416 SS)	B5364-3-J2	B5364-3-J2	B5789-4-J2	B5789-4-J2	N/A	2
16	Inboard Bearing	052935	052935	M-4342	M-4342	N/A	1
17	Stuffing Box Gland (BRZ)	A5201-2-B12	A5201-2-B12	A5202-B12	A5202-B12	N/A	2
18	Outboard Bearing (Steel)	052935	052935	Q10-108-E4	Q10-108-E4	N/A	1
20	Shaft Sleeve Nut (BRZ)	A5360-C9	A5360-C9	A5798-C9	A5798-C9	N/A	2
29	Seal Cage / Lantern Ring (Teflon)	A5362-V2	A5362-V2	A8378-V2	A8378-V2	N/A	2
31	Inboard Bearing Housing (Iron)	B5359-1-A2	B5359-1-A2	B4773-1-A2	B4773-1-A2	N/A	1
32	Impeller Key (303 SS)	Q21-37-J8	Q21-37-J8	Q21-48-J8	Q21-48-J8	N/A	1
33	Outboard Bearing Housing (Iron)	B5359-A2	B5359-A2	B4772-1-A2	B4772-1-A2	N/A	1
38	Shaft Sleeve Gasket (Lexide)	H1043-7-L14	H1043-7-L14	H1043-9-L14	H1043-9-L14	N/A	2
40	Liquid Deflector (Rubber)	H1936-5-K2	H1936-5-K2	H1936-14-K2	H1936-14-K2	N/A	2
41	Inboard Bearing Cap (Iron)	B4211-A2	B4211-A2	B5790-A2	B5790-A2	N/A	1
43	Outboard Bearing Cap (Iron)	B4211-A2	B4211-A2	B5790-A2	B5790-A2	N/A	1
63	Stuffing Box Bushing (416 SS)	A8696-J2	A8696-J2	A8698-J10	A8698-J10	N/A	2
72	Thrust Collar (Steel)	A5363-E4	A5363-E4	N/A	N/A	N/A	1
73	Casing Gasket (Cellulose)	B8320-1-L13	B8320-1-L13	B6474-L13	B6474-L13	N/A	1
73A	Casing Gasket (Cellulose)	B8321-3-L13	B8321-3-L13	B6475-L13	B6475-L13	N/A	1
127	Seal Piping	Q30-6-V6	Q30-6-V6	Q30-6-V6	Q30-6-V6	N/A	1
192	Retaining Ring	030650	030650	030650	030650	N/A	2

* Recommended Spare Parts

** Double Wear Ring

1200 Series with Mechanical Seal - No Sleeves	2L4A	2L4B	2L5	2L6	3L4	Qty.
1 Casing - 125# (Iron)	C5207-1-A2	C5207-1-A2	C5306-A2	C5317-11-A2	C5293-A2	1
1 Casing - 250# (Iron)	N/A	N/A	N/A	N/A	C5293-10-A2	1
1 Casing - 250# (Ductile Iron)	C5207-11-A12	C5207-11-A12	C5306-10-A12	C5317-12-A12	C5293-10-A12	1
2 Impeller (BRZ)	C5223-10-B25	C5223-10-B25	N/A	N/A	N/A	1
2 Impeller (BRZ)	C5223-1-B25	N/A	C329465P01-B25	C5318-B25	C5294-B25	1
6 Shaft (416 SS)	C6699-1-J2	C6699-1-J2	C6699-1-J2	C6699-1-J2	C6703-J2	1
7 Casing Ring (BRZ)	A5047-2-C9	A5047-2-C9	A5045-5-C9	A5045-5-C9	A5045-5-C9	2
7 Casing Ring (BRZ)	A5047-1-C9	A5047-1-C9	A5045-4-C9	A5045-4-C9	A5045-4-C9	2
8 Impeller Ring (BRZ)	A5058-C9	A5058-C9	A5056-C9	A5056-C9	A5056-C9	2
16 Inboard Bearing (Steel)	Q10-36-E4	Q10-36-E4	Q10-36-E4	Q10-36-E4	625-00719	1
17A Seal Cap (Iron)	A6700-A2	A6700-A2	A6700-A2	A6700-A2	A6704-A2	2
18 Outboard Bearing (Steel)	Q10-36-E4	Q10-36-E4	Q10-36-E4	Q10-36-E4	625-00719	1
24A Shaft Collar (Iron)	A6702-A2	A6702-A2	A6702-J2	A6702-J2	A6705-J2-1	2
31 Inboard Bearing Housing (Iron)	B5337-1-A2	B5337-1-A2	B5337-1-A2	B5337-1-A2	B5347-1-A2	1
32 Impeller Key (303 SS)	Q21-5-J8	Q21-5-J8	Q21-5-J8	Q21-5-J8	Q21-23-J8	1
33 Outboard Bearing Housing (Iron)	B5337-A2	B5337-A2	B5337-A2	B5337-A2	B5347-A2	1
40 Liquid Deflector (Rubber)	H1936-2-K2	H1936-2-K2	H1936-2-K2	H1936-2-K2	H1936-16-K2	2
41 Inboard Bearing Cap (Iron)	B4298-3-A2	B4298-3-A2	B4298-3-A2	B4298-3-A2	B4103-2-A2	1
43 Outboard Bearing Cap (Iron)	B4298-3-A2	B4298-3-A2	B4298-3-A2	B4298-3-A2	B4103-2-A2	1
68 Seal Collar (BRZ)	A5157-C9	A5157-C9	A5157-C9	A5157-C9	A5095-C9	2
72 Thrust Collar (Steel)	N/A	N/A	N/A	N/A	A5351-E4	1
73 Casing Gasket (Cellulose)	B5237-1-L13	B5237-1-L13	B5308-L13	B5319-1-L13	B5295-L13	1
73A Casing Gasket (Cellulose)	B5238-1-L13	B5238-1-L13	B5309-L13	B5320-L13	B5296-L13	1
127 Seal Piping	Q30-6-V6	Q30-6-V6	Q30-6-V6	Q30-6-V6	Q30-6-V6	2
192 Retaining Ring (Steel)	Q27-55-E4	Q27-55-E4	Q27-55-E4	Q27-55-E4	Q27-56-E4	2
- Seal Gasket (Cellulose)	A6499-L13	A6499-L13	A6499-L13	A6499-L13	A6500-1-L13	2
65 & 80 Mechanical Seal - Standard	Q26-243-Y35	Q26-243-Y35	Q26-243-Y34	Q26-243-Y34	Q26-178-Y34	2
65 & 80 Mechanical Seal - Hot Water	Q26-243-Y6	Q26-243-Y6	Q26-243-Y6	Q26-243-Y6	Q26-217-Y6	2
65 & 80 Mechanical Seal - Balance	Q26-346-Y4	N/A	Q26-346-Y4	Q26-346-Y4	Q26-303-Y34	2
65 & 80 Mechanical Seal - Tung. Carb.	Q26-243-Y10	Q26-243-Y10	Q26-243-Y10	Q26-243-Y10	Q26-303-Y10	2

* Recommended Spare Parts

Repair Parts

	1200 Series with Mechanical Seal - No Sleeves	3L5	3L6	4L1A	4L1B	4L1C	4L2	Qty.
1	Casing - 125# (Iron)	C5321-11-A2	C5617-A2	C6626-A2	C6626-A2	C6626-A2	C6663-A2	1
1	Casing - 250# (Iron)	C5321-12-A2	C5617-10-A2	C6626-A10-A2	N/A	N/A	C6663-10-A2	1
1	Casing - 250# (Ductile Iron)	C5321-12-A12	C5617-10-A12	C6626-10-A12	C6626-10-A12	C6626-10-A12	C6663-10-A12	1
2	Impeller (BRZ)	C5322-B25	C5618-B25	C6813-B25	N/A	C6813-10-B25	C7665-B25	1
* 2	Impeller (BRZ)	N/A	N/A	N/A	C5322-B25	N/A	N/A	
6	Shaft (416 SS)	C6703-J2	C6699-1-J2	C6703-J2	C6703-J2	C6703-J2	C6699-1-J2	1
7	Casing Ring (BRZ)	A5045-5-C9	A5045-5-C9	A5052-4-C9	N/A	A5052-4-C9	A5044-3-C9	2
7	Casing Ring (BRZ)	A5045-4-C9	A5045-4-C9	A5052-1-C9	A5052-4-C9	A5052-1-C9	A5044-1-C9	2
8	Impeller Ring (BRZ)	A5056-C9	A5056-C9	A5062-C9	A5847-C9	A5062-C9	A5055-C9	2
16	Inboard Bearing (Steel)	625-00719	Q10-36-E4	625-00719	625-00719	625-00719	Q10-36-E4	1
17A	Seal Cap (Iron)	A6704-A2	A6700-A2	A6704-A2	A6704-A2	A6704-A2	A6700-A2	2
18	Outboard Bearing (Steel)	625-00719	Q10-36-E4	625-00719	625-00719	625-00719	Q10-36-E4	1
24A	Shaft Collar (416 SS)	A6705-J2	A6702-J2	A6705-J2	A6705-J2	A6705-J2	A6702-J2	2
31	Inboard Bearing Housing (Iron)	B5347-1-A2	B5337-1-A2	B5347-1-A2	B5347-1-A2	B5347-1-A2	B5337-1-A2	1
32	Impeller Key (303 SS)	Q21-23-J8	Q21-84-J8	Q21-23-J8	Q21-23-J8	Q21-23-J8	Q21-84-J8	1
33	Outboard Bearing Housing (Iron)	B5347-A2	B5337-A2	B5347-A2	B5347-A2	B5347-A2	B5337-A2	1
40	Liquid Deflector (Rubber)	H1936-16-K2	H1936-2-K2	H1936-16-K2	H1936-16-K2	H1936-16-K2	H1936-2-K2	2
41	Inboard Bearing Cap (Iron)	B4103-2-A2	B4298-3-A2	B4103-2-A2	B4103-2-A2	B4103-2-A2	B4298-3-A2	1
43	Outboard Bearing Cap (Iron)	B4103-2-A2	B4298-3-A2	B4103-2-A2	B4103-2-A2	B4103-2-A2	B4298-3-A2	1
68	Seal Collar (BRZ)	A5095-C9	A5157-C9	A5095-C9	A5095-C9	A5095-C9	A5157-C9	2
72	Thrust Collar (Steel)	A5351-E4	A5340-E4	A5351-E4	A5351-E4	A5351-E4	N/A	1
73	Casing Gasket (Cellulose)	C7484-L13	B5627-L13	C6632-L13	C6632-L13	C6632-L13	C6668-L13	1
73A	Casing Gasket (Cellulose)	C7485-L13	B5628-L13	C6633-L13	C6633-L13	C6633-L13	C6669-L13	1
127	Seal Piping	Q30-6-V6	Q30-6-V6	Q30-6-V6	Q30-6-V6	Q30-6-V6	Q30-6-V6	1
192	Retaining Ring (Steel)	Q27-56-E4	Q27-55-E4	Q27-56-E4	Q27-56-E4	Q27-56-E4	Q27-55-E4	2
-	Seal Gasket (Cellulose)	A6500-1-L13	A6499-L13	A6500-1-L13	A6500-1-L13	A6500-1-L13	A6499-L13	2
65 & 80	Mechanical Seal - Standard	Q26-178-Y35	Q26-243-Y35	Q26-178-Y35	Q26-178-Y35	Q26-178-Y35	Q26-243-Y35	2
65 & 80	Mechanical Seal - Hot Water	Q26-178-Y6	Q26-243-Y6	Q26-178-Y6	Q26-178-Y6	Q26-178-Y6	Q26-243-Y6	2

* Recommended Spare Parts

1200 Series with Mechanical Seal - No Sleeves		4L3	4L4	5L1	5L2	Qty.
1	Casing - 125# (Iron)	C3997-A2	C5299-10-A2	C6638-A2	C6523-A2	1
1	Casing - 250# (Iron)	N/A	C5299-11-A2	C6638-10-A2	C6523-10-A2	1
1	Casing - 250# (Ductile Iron)	C3997-10-A12	C5299-11-A12	C6638-10-A12	C6523-10-A12	1
2	Impeller (BRZ)	B3999-B25	C5300-B25	3369-1-B25	C6535-10-B25	1
6	Shaft (416 SS)	C6699-1-J2	C6707-J2	C6707-J2	C6703-J2	1
7	Casing Ring (BRZ)	A5045-5-C9	A5044-3-C9	A5048-C9	A5052-4-C9	2
7	Casing Ring (BRZ)	A5045-4-C9	A5044-1-C9	A5048-1-C9	A5052-1-C9	2
8	Impeller Ring (BRZ)	A5056-C9	A5055-C9	A5059-C9	A5062-C9	2
16	Inboard Bearing (Steel)	Q10-36-E4	M-6142	M-6142	625-00719	1
17A	Seal Cap (Iron)	A6700-A2	A6708-A2	A6708-A2	A6704-A2	2
18	Outboard Bearing (Steel)	Q10-36-E4	M-6142	M-6142	625-00719	1
24A	Shaft Collar (416 SS)	A6702-J2	A6710-J2	A6710-J2	A6705-J2	2
31	Inboard Bearing Housing (Iron)	B5337-1-A2	B5353-1-A2	B5353-1-A2	B5347-1-A2	1
32	Impeller Key (303 SS)	Q21-5-J8	Q21-22-J8	Q21-22-J8	Q21-23-J8	1
33	Outboard Bearing Housing (Iron)	B5337-A2	B5353-A2	B5353-A2	B5347-A2	1
40	Liquid Deflector (Rubber)	H1936-2-K2	H1936-4-K2	H1936-4-K2	H1936-16-K2	2
41	Inboard Bearing Cap (Iron)	B4298-3-A2	B5375-3-A2	B5375-3-A2	B4103-2-A2	1
43	Outboard Bearing Cap (Iron)	B4298-3-A2	B5375-3-A2	B5375-3-A2	B4103-2-A2	1
68	Seal Collar (BRZ)	A5157-C9	A5978-C9	A5978-C9	A5095-C9	2
72	Thrust Collar (Steel)	N/A	A5357-E4	A5357-E4	A5351-E4	1
73	Casing Gasket (Cellulose)	3488-1-L13	B5301-L13	C7576-L13	C6537-L13	1
73A	Casing Gasket (Cellulose)	3488-2-L13	B5302-L13	C7577-L13	C6538-L13	1
127	Seal Piping	Q30-6-V6	Q30-6-V6	Q30-6-V6	Q30-6-V6	1
192	Retaining Ring (Steel)	Q27-55-E4	Q27-50-E4	Q27-50-E4	Q27-56-E4	2
-	Seal Gasket (Cellulose)	A6499-L13	A6501-L13	A6501-L13	A6500-1-L13	2
68 & 80	Mechanical Seal - Standard	Q26-243-Y35	Q26-240-Y35	Q26-240-Y35	Q26-178-Y35	2
68 & 80	Mechanical Seal - Hot Water	Q26-243-Y6	Q26-240-Y6	Q26-240-Y6	Q26-178-Y6	2

* Recommended Spare Parts

Repair Parts

1200 Series with Mechanical Seal - No Sleeves	5L3	6L1	6L2	6L3	Qty.
1 Casing - 125# (Iron)	C4015-12-A2	C6677-A2	C8703-A2	C4054-11-A2	1
1 Casing - 250# (Iron)	C4015-13-A2	C6677-10-A2	A8703-10-A2	C4054-12-A2	1
1 Casing - 250# (Ductile Iron)	C4015-13-A12	C6677-10-A12	C8703-10-A12	C4054-12-A12	1
2 Impeller (BRZ)	3049-1-B25	B4343-B25	C5244-11-B25	B4040-B25	1
6 Shaft (416 SS)	C6699-1-J2	C6714-J2	C6707-J2	C6703-J2	1
7 Casing Ring (BRZ)	A5042-2-C9	A5050-C9	A5048-C9	A5052-4-C9	2
7 Casing Ring (BRZ)	A5042-4-C9	A5050-1-C9	A5048-1-C9	A5052-1-C9	2
8 Impeller Ring (BRZ)	C5053-1-C9	A5060-C9	A5059-C9	A5062-C9	2
16 Inboard Bearing (Steel)	Q10-36-E4	052935	M-6142	625-00719	1
17A Seal Cap (Iron)	A6700-A2	A6724-1-A2	A6708-A2	A6704-A2	2
18 Outboard Bearing (Steel)	Q10-36-E4	052935	M-6142	625-00719	1
24A Shaft Collar (416 SS)	A6702-J2	A6726-J2	A6710-J2	A6705-J2	2
31 Inboard Bearing Housing (Iron)	B5337-1-A2	B5359-1-A2	B5353-1-A2	B5347-1-A2	1
32 Impeller Key (303 SS)	Q21-5-J8	Q21-37-J8	Q21-22-J8	Q21-23-J8	1
33 Outboard Bearing Housing (Iron)	B5337-A2	B5359-A2	B5353-A2	B5347-A2	1
40 Liquid Deflector (Rubber)	H1936-2-K2	H1936-6-K2	H1936-4-K2	H1936-16-K2	2
41 Inboard Bearing Cap (Iron)	B4298-3-A2	B4211-1-A2	B5375-3-A2	B4103-2-A2	1
43 Outboard Bearing Cap (Iron)	B4298-3-A2	B4211-1-A2	B5375-3-A2	B4103-2-A2	1
68 Seal Collar (BRZ)	A5157-C9	A5147-C9	A5978-C9	A5095-C9	2
72 Thrust Collar (Steel)	N/A	A5363-E4	A5357-E4	A5351-E4	1
73 Casing Gasket (Cellulose)	C7542-2-L13	C6687-L13	C8718-L13	C7505-L13	1
73A Casing Gasket (Cellulose)	3491-1-L13	C6688-L13	C8719-L13	C7506-L13	1
127 Seal Piping	Q30-6-V6	Q30-6-V6	Q30-6-V6	Q30-6-V6	1
192 Retaining Ring (Steel)	Q27-55-E4	Q27-57-E4	Q27-50-E4	Q27-56-E4	2
- Seal Gasket (Cellulose)	A6499-L13	A5371-L13	A6501-L13	A6500-1-L13	2
65 & 80 Mechanical Seal - Standard	Q26-243-Y35	Q26-180-Y35	Q26-240-Y35	Q26-178-Y35	2
65 & 80 Mechanical Seal - Hot Water	Q26-243-Y6	Q26-180-Y6	Q26-240-Y6	Q26-178-Y6	2

* Recommended Spare Parts

1200 Series with Mechanical Seal - No Sleeves	8L1 **	8L2A **	8L2B **	8L3 **	10L2A **	Qty.
1 Casing - 125# (Iron)	C8325-A2	C6585-10-1-A2	C6585-10-2-A2	C4521-A2	C4785-11-3-A2	1
1 Casing - 250# (Iron)	N/A	C6585-10-A12	N/A	C4521-11-A2	N/A	1
1 Casing - 250# (Ductile Iron)	C8325-1-A12	C6585A-10-A12	C6585A-10-3-A12	C4521-11-A12	C4785-11-2-A12	1
2 Impeller (BRZ)	4173-1-B25	B4366-B25	C8141-B25	B4487-B25	C6357-B25	1
6 Shaft (416 SS)	C6730-J2	C6714-J2	C6714-J2	C6707-J2	C6727-J2	1
7 Casing Ring (BRZ)	A5049-C9	A5050-1-C9	A8142-C9	A5046-C9	A5049-C9	2
8 Impeller Ring (BRZ)	A5084-C9	A5060-C9	A8189-C9	A5057-C9	A5084-C9	2
16 Inboard Bearing	M-4342	052935	052935	M-6142	073599	1
17A Seal Cap (Iron)	A6735-A2	A6724-1-A2	A6724-1-A2	A6708-A2	A6724-A2	2
18 Outboard Bearing (Steel)	Q10-108-E4	052935	052935	M-6142	073599	1
24A Shaft Collar (416 SS)	A6736-J2	A6726-J2	A6726-J2	A6710-J2	A6726-J2	2
31 Inboard Bearing Housing (Iron)	B4773-1-A2	B5359-1-A2	B5359-1-A2	B5353-1-A2	B4348-1-A2	1
32 Impeller Key (303 SS)	Q21-48-J8	Q21-37-J8	Q21-37-J8	Q21-22-J8	Q21-52-J8	1
33 Outboard Bearing Housing (Iron)	B4772-1-A2	B5359-A2	B5359-A2	B5353-A2	B4347-A2	1
40 Liquid Deflector (Rubber)	H1936-8-K2	H1936-6-K2	H1936-6-K2	H1936-4-K2	H1936-6-K2	2
41 Inboard Bearing Cap (Iron)	B5790-2-A2	B4211-1-A2	B4211-1-A2	B5375-3-A2	B4349-1-A2	1
43 Outboard Bearing Cap (Iron)	B5790-2-A2	B4211-1-A2	B4211-1-A2	B5375-3-A2	B4349-1-A2	1
68 Seal Collar (BRZ)	A5370-C9	A5147-C9	A5147-C9	A5978-C9	A5147-C9	2
72 Thrust Collar (Steel)	N/A	A5363-E4	A5363-E4	A5357-E4	A5720-E4	1
73 Casing Gasket (Cellulose)	B8326-L13	B7390-L13	B7390-L13	C5700-L13	4217-6-L13	1
73A Casing Gasket (Cellulose)	B8327-L13	B7391-L13	B7391-L13	C5700-L13	4217-7-L13	1
127 Seal Piping	Q30-6-V6	Q30-6-V6	Q30-6-V6	Q30-6-V6	Q30-6-V6	1
192 Retaining Ring (Steel)	Q27-73-E4	Q27-57-E4	Q27-57-E4	Q27-50-E4	Q27-73-E4	2
- Seal Gasket (Cellulose)	A8384-L13	A5371-L13	A5371-L13	A6501-L13	A7578-L13	2
65 & 80 Mechanical Seal - Standard	Q26-181-Y35	Q26-180-Y35	Q26-180-Y35	Q26-240-Y35	Q26-180-Y35	2
65 & 80 Mechanical Seal - Hot Water	Q26-181-Y6	Q26-180-Y6	Q26-180-Y6	Q26-240-Y6	Q26-180-Y6	2

* Recommended Spare Parts

** Double Wear Ring

Repair Parts

1200 Series with Mechanical Seal - No Sleeves	10L3A **	10L3B **	12L2A **	12L2B **	12L2C **	Qty.
1 Casing - 125# (Iron)	C8319-A2	C8319-A2	C6473-10-1-A2	C6473-10-1-A2	C6473-10-1-A2	1
1 Casing - 250# (Iron)	N/A	N/A	N/A	N/A	N/A	1
1 Casing - 250# (Ductile Iron)	C8319-1-A12	C8319-1-A12	C6473-10-A12	C6473-10-A12	N/A	1
2 Impeller (BRZ)	B4066-B25	B4066-B25	C6634-B25	C8531-B25	C8531-1-B25	1
2 Impeller (BRZ)	C8530-B25	N/A	N/A	N/A	N/A	1
6 Shaft (416 SS)	C6714-J2	C6714-J2	C6730-J2	C6730-J2	C6730-2-J2	1
7 Casing Ring (BRZ)	A5051-C9	A5051-C9	A6497-C9	A6497-C9	A6497-C9	2
8 Impeller Ring (BRZ)	N/A	A5082-C9	A6496-C9	A6496-C9	A6496-C9	2
8 Impeller Ring (BRZ)	A5083-C9	N/A	N/A	N/A	N/A	2
16 Inboard Bearing	052935	052935	M-4342	M-4342	M-4342	1
17A Seal Cap (Iron)	A6724-1-A2	A6724-1-A2	A6735-A2	A6735-A2	A6735-3-A2	2
18 Outboard Bearing (Steel)	052935	052935	Q10-108-E4	Q10-108-E4	Q10-108-E4	1
24A Shaft Collar (416 SS)	A6726-J2	A6726-J2	A6736-J2	A6736-J2	A6736-1-J2	2
31 Inboard Bearing Housing (Iron)	B5359-1-A2	B5359-1-A2	B4773-1-A2	B4773-1-A2	B4773-1-A2	1
32 Impeller Key (303 SS)	Q21-37-J8	Q21-37-J8	Q21-48-J8	Q21-48-J8	Q21-48-J8	1
33 Outboard Bearing Housing (Iron)	B5359-A2	B5359-A2	B4772-1-A2	B4772-1-A2	B4772-1-A2	1
40 Liquid Deflector (Rubber)	H1936-6-K2	H1936-6-K2	H1936-8-K2	H1936-8-K2	H1936-17-K2	2
41 Inboard Bearing Cap (Iron)	B4211-1-A2	B4211-1-A2	B5790-2-A2	B5790-2-A2	B5790-4-A2	1
43 Outboard Bearing Cap (Iron)	B4211-1-A2	B4211-1-A2	B5790-2-A2	B5790-2-A2	B5790-4-A2	1
68 Seal Collar (BRZ)	A5147-C9	A5147-C9	A5370-C9	A5370-C9	A5370-1-C9	2
72 Thrust Collar (Steel)	A5363-E4	A5363-E4	N/A	N/A	N/A	1
73 Casing Gasket (Cellulose)	B8320-1-L13	B8320-1-L13	B6474-L13	B6474-L13	B6474-L13	1
73A Casing Gasket (Cellulose)	B8321-3-L13	B8321-3-L13	B6475-L13	B6475-L13	B6475-L13	1
127 Seal Piping	Q30-6-V6	Q30-6-V6	Q30-6-V6	Q30-6-V6	Q30-6-V6	1
192 Retaining Ring (Steel)	Q27-57-E4	030650	Q27-73-E4	029863	029863	2
- Seal Gasket (Cellulose)	A5371-L13	A5371-L13	A8384-L13	A8384-L13	A8384-L13	2
65 & 80 Mechanical Seal - Standard	Q26-180-Y35	Q26-180-Y35	Q26-181-Y35	Q26-181-Y35	Q26-408-Y35	2
65 & 80 Mechanical Seal - Hot Water	Q26-180-Y6	Q26-180-Y6	Q26-181-Y6	Q26-181-Y6	Q26-408-Y6	2

* Recommended Spare Parts
** Double Wear Ring

1200 Series with Mechanical Seal and Sleeves	2L4A	2L4B	2L5	2L6	3L4	Qty.
1 Casing - 125# (Iron)	C5207-1-A2	C5207-1-A2	C5306-A2	C5317-11-A2	C5293-A2	1
1 Casing - 250# (Iron)	N/A	N/A	N/A	N/A	N/A	1
1 Casing - 250# (Ductile Iron)	C5207-11-A12	C5207-11-A12	C5306-10-A12	C5317-12-A12	C5293-10-A12	1
2 Impeller (BRZ)	C5223-1-B25	C5223-10-B25	C329465P01-B25	C5318-B25	C5294-B25	1
6 Shaft (Steel)	C5339-E22	C5339-E22	C5339-E22	C5339-E22	C5346-E22	1
7 Casing Ring (BRZ)	A5047-2-C9	A5047-2-C9	A5045-5-C9	A5045-5-C9	A5045-5-C9	2
7 Casing Ring (BRZ)	A5047-1-C9	A5047-1-C9	A5045-4-C9	A5045-4-C9	A5045-4-C9	2
8 Impeller Ring (BRZ)	A5058-C9	A5058-C9	A5056-C9	A5056-C9	A5056-C9	2
14 Shaft Sleeve (BRZ)	B4000-C9	B4000-C9	B4000-C9	B4000-C9	B4100-C9	2
16 Inboard Bearing (Steel)	Q10-36-E4	Q10-36-E4	Q10-36-E4	Q10-36-E4	625-00719	1
17A Seal Cap (Iron)	A6700-2-A2	A6700-2-A2	A6700-2-A2	A6700-2-A2	A6704-5-A2	2
18 Outboard Bearing (Steel)	Q10-36-E4	Q10-36-E4	Q10-36-E4	Q10-36-E4	625-00719	1
20 Shaft Sleeve Nut (BRZ)	A5338-C9	A5338-C9	A5338-C9	A5338-C9	A5348-C9	2
31 Inboard Bearing Housing (Iron)	B5337-1-A2	B5337-1-A2	B5337-1-A2	B5337-1-A2	B5347-1-A2	1
32 Impeller Key (303 SS)	Q21-84-J8	Q21-84-J8	Q21-84-J8	Q21-84-J8	Q21-23-J8	1
33 Outboard Bearing Housing (Iron)	B5337-A2	B5337-A2	B5337-A2	B5337-A2	B5347-A2	1
38 Shaft Sleeve Gasket (Lexide)	H1043-2-L14	H1043-2-L14	H1043-2-L14	H1043-2-L14	H1043-4-L14	2
40 Liquid Deflector (Rubber)	H1936-15-K2	H1936-15-K2	H1936-15-K2	H1936-15-K2	H1936-9-K2	2
41 Inboard Bearing Cap (Iron)	B4298-A2	B4298-A2	B4298-A2	B4298-A2	B4103-A2	1
43 Outboard Bearing Cap (Iron)	B4298-A2	B4298-A2	B4298-A2	B4298-A2	B4103-A2	1
65 & 80 Mechanical Seal - Standard	Q26-178-Y35	Q26-178-Y35	Q26-178-Y35	Q26-178-Y35	Q26-217-Y35	2
65 & 80 Mechanical Seal - Hot Water	Q26-178-Y6	Q26-178-Y6	Q26-178-Y6	Q26-178-Y6	Q26-217-Y6	2
68 Seal Collar (BRZ)	A5095-C9	A5095-C9	A5095-C9	A5095-C9	A5153-C9	2
72 Thrust Collar (Steel)	A5340-E4	A5340-E4	A5340-E4	A5340-E4	A5351-E4	1
- Seal Gasket (Cellulose)	A6499-L13	A6499-L13	A6499-L13	A6499-L13	A6500-1-L13	2
73 Casing Gasket (Cellulose)	B5237-1-L13	B5237-1-L13	B5308-L13	B5319-1-L13	B5295-L13	1
73A Casing Gasket (Cellulose)	B5238-1-L13	B5238-1-L13	B5309-L13	B5320-L13	B5296-L13	1
127 Seal Piping	Q30-6-V6	Q30-6-V6	Q30-6-V6	Q30-6-V6	Q30-6-V6	1
192 Retaining Ring (Steel)	Q27-55-E4	Q27-55-E4	Q27-55-E4	Q27-55-E4	Q27-56-E4	2

* Recommended Spare Parts

Repair Parts

1200 Series with Mechanical Seal and Sleeves	3L5	3L6	4L1A	4L1B	4L1C	4L2	Qty.
1 Casing - 125# (Iron)	C5321-11-A2	C5617-A2	C6626-A2	C6626-A2	C6626-A2	C6663-A2	1
1 Casing - 250# (Iron)	C5321-12-A2	C5617-10-A2	C6626-A10-A2	N/A	N/A	C6663-10-A2	1
1 Casing - 250# (Ductile Iron)	C5321-12-A12	C5617-10-A12	C6626-10-A12	C6626-10-A12	C6626-10-A12	C6663-10-A12	1
2 Impeller (BRZ)	C5322-B25	C5618-B25	C6813-B25	C5322-B25	C6813-10-B25	C7665-B25	1
6 Shaft (Steel)	C5346-E22	C5339-E22	C5346-E22	C5346-E22	C5346-E22	C5339-E22	1
7 Casing Ring (BRZ)	N/A	N/A	A5052-4-C9	N/A	A5052-4-C9	N/A	2
7 Casing Ring (BRZ)	A5045-5-C9	A5045-5-C9	A5052-1-C9	A5052-4-C9	A5052-1-C9	A5044-3-C9	2
8 Impeller Ring (BRZ)	A5045-4-C9	A5045-4-C9	A5062-C9	A5847-C9	A5062-C9	A5044-1-C9	2
14 Shaft Sleeve (BRZ)	B4100-C9	B4000-C9	B4100-C9	B4100-C9	B4100-C9	B4000-C9	2
16 Inboard Bearing (Steel)	625-00719	Q10-36-E4	625-00719	625-00719	625-00719	Q10-36-E4	1
17A Seal Cap (Iron)	A6704-5-A2	A6700-2-A2	A6704-5-A2	A6704-5-A2	A6704-5-A2	A6700-2-A2	2
18 Outboard Bearing (Steel)	625-00719	Q10-36-E4	625-00719	625-00719	625-00719	Q10-36-E4	1
20 Shaft Sleeve Nut (BRZ)	A5348-C9	A5338-C9	A5348-C9	A5348-C9	A5348-C9	A5338-C9	2
31 Inboard Bearing Housing (Iron)	B5347-1-A2	B5337-1-A2	B5347-1-A2	B5347-1-A2	B5347-1-A2	B5337-1-A2	1
32 Impeller Key (303 SS)	Q21-23-J8	Q21-84-J8	Q21-23-J8	Q21-23-J8	Q21-23-J8	Q21-84-J8	1
33 Outboard Bearing Housing (Iron)	B5347-A2	B5337-A2	B5347-A2	B5347-A2	B5347-A2	B5337-A2	1
38 Shaft Sleeve Gasket (Lexide)	H1043-4-L14	H1043-2-L14	H1043-4-L14	H1043-4-L14	H1043-4-L14	H1043-2-L14	2
40 Liquid Deflector (Rubber)	H1936-9-K2	H1936-15-K2	H1936-9-K2	H1936-9-K2	H1936-9-K2	H1936-15-K2	2
41 Inboard Bearing Cap (Iron)	B4103-A2	B4298-A2	B4103-A2	B4103-A2	B4103-A2	B4298-A2	1
43 Outboard Bearing Cap (Iron)	B4103-A2	B4298-A2	B4103-A2	B4103-A2	B4103-A2	B4298-A2	1
65 & 80 Mechanical Seal - Standard	Q26-217-Y35	Q26-178-Y35	Q26-217-Y35	Q26-217-Y35	Q26-217-Y35	Q26-178-Y35	2
65 & 80 Mechanical Seal - Hot Water	Q26-217-Y6	Q26-178-Y6	Q26-217-Y6	Q26-217-Y6	Q26-217-Y6	Q26-178-Y6	2
68 Seal Collar (BRZ)	A5153-C9	A5095-C9	A5153-C9	A5153-C9	A5153-C9	A5095-C9	2
72 Thrust Collar (Steel)	A5351-E4	A5340-E4	A5351-E4	A5351-E4	A5351-E4	A5340-E4	1
- Seal Gasket (Cellulose)	A6500-1-L13	A6499-L13	A6500-1-L13	A6500-1-L13	A6500-1-L13	A6499-L13	2
73 Casing Gasket (Cellulose)	C7484-L13	B5627-L13	C6632-L13	C6632-L13	C6632-L13	C6668-L13	1
73A Casing Gasket (Cellulose)	C7485-L13	B5628-L13	C6633-L13	C6633-L13	C6633-L13	C6669-L13	1
127 Seal Piping	Q30-6-V6	Q30-6-V6	Q30-6-V6	Q30-6-V6	Q30-6-V6	Q30-6-V6	1
192 Retaining Ring (Steel)	Q27-56-E4	Q27-55-E4	Q27-56-E4	Q27-56-E4	Q27-56-E4	Q27-56-E4	2

* Recommended Spare Parts

1200 Series with Mechanical Seal and Sleeves		4L3	4L4	5L1	5L2	Qty.
1	Casing - 125# (Iron)	C3997-B12	C5299-10-A2	C6638-A2	C6523-A2	1
1	Casing - 250# (Iron)	N/A	C5299-11-A2	C6638-10-A2	C6523-10-A2	1
1	Casing - 250# (Ductile Iron)	C3997-10-A12	C5299-11-A12	C6638-10-A12	C6523-10-A12	1
2	Impeller (BRZ)	B3999-B25	C5300-B25	3369-1-B25	C6535-10-B25	1
6	Shaft (Steel)	C5339-E22	C5352-E22	C5352-E22	C5346-E22	1
7	Casing Ring (BRZ)	A5045-5-C9	A5044-3-C9	A5048-C9	A5052-4-C9	2
7	Casing Ring (BRZ)	A5045-4-C9	A5044-1-C9	A5048-1-C9	A5052-1-C9	2
8	Impeller Ring (BRZ)	A5056-C9	A5055-C9	A5059-C9	A5062-C9	2
14	Shaft Sleeve (BRZ)	B4000-C9	B4205-C9	B4205-C9	B4100-C9	2
16	Inboard Bearing (Steel)	Q10-36-E4	M-6142	M-6142	625-00719	1
17A	Seal Cap (Iron)	A6700-2-A2	A6708-2-A2	A6708-2-A2	A6704-5-A2	2
18	Outboard Bearing (Steel)	Q10-36-E4	M-6142	M-6142	625-00719	1
20	Shaft Sleeve Nut (BRZ)	A5338-C9	A5354-C9	A5354-C9	A5348-C9	2
31	Inboard Bearing Housing (Iron)	B5337-1-A2	B5353-1-A2	B5353-1-A2	B5347-1-A2	1
32	Impeller Key (303 SS)	Q21-5-J8	Q21-22-J8	Q21-22-J8	Q21-23-J8	1
33	Outboard Bearing Housing (Iron)	B5337-A2	B5353-A2	B5353-A2	B5347-A2	1
38	Shaft Sleeve Gasket (Lexide)	H1043-2-L14	H1043-5-L14	H1043-5-L14	H1043-4-L14	2
40	Liquid Deflector (Rubber)	H1936-15-K2	H1936-16-K2	H1936-16-K2	H1936-9-K2	2
41	Inboard Bearing Cap (Iron)	B4298-A2	B5375-A2	B5375-A2	B4103-A2	1
43	Outboard Bearing Cap (Iron)	B4298-A2	B5375-A2	B5375-A2	B4103-A2	1
65 & 80	Mechanical Seal - Standard	Q26-178-Y35	Q26-180-Y35	Q26-180-Y35	Q26-217-Y35	2
65 & 80	Mechanical Seal - Hot Water	Q26-178-Y6	Q26-180-Y6	Q26-180-Y6	Q26-217-Y6	2
68	Seal Collar (BRZ)	A5095-C9	A5147-C9	A5147-C9	A5153-C9	2
72	Thrust Collar (Steel)	A5340-E4	A5357-E4	A5357-E4	A5351-E4	1
-	Seal Gasket (Cellulose)	A6499-L13	A6501-L13	A6501-L13	A6500-1-L13	2
73	Casing Gasket (Cellulose)	3488-1-L13	B5301-L13	C7576-L13	C6537-L13	1
73A	Casing Gasket (Cellulose)	3488-2-L13	B5302-L13	C7577-L13	C6538-L13	1
127	Seal Piping	Q30-6-V6	Q30-6-V6	Q30-6-V6	Q30-6-V6	1
192	Retaining Ring (Steel)	Q27-55-E4	Q27-50-E4	Q27-50-E4	Q27-56-E4	2

* Recommended Spare Parts

Repair Parts

1200 Series with Mechanical Seal and Sleeves		5L3	6L1	6L2	6L3	Qty.
1	Casing - 125# (Iron)	C4015-12-A2	C6677-A2	C8703-A2	C4054-11-A2	1
1	Casing - 250# (Iron)	C4015-13-A2	C6677-10-A2	A8703-10-A2	C4054-12-A2	1
1	Casing - 250# (Ductile Iron)	C4015-13-A12	C6677-10-A12	C8703-10-A12	C4054-12-A12	1
2	Impeller (BRZ)	3049-1-B25	B4343-B25	C5244-11-B25	B4040-B25	1
6	Shaft (Steel)	C5339-E22	C5358-E22	C5352-E22	C5346-E22	1
7	Casing Ring (BRZ)	A5042-2-C9	A5050-C9	A5048-C9	A5052-4-C9	2
7	Casing Ring (BRZ)	A5042-4-C9	A5050-1-C9	A5048-1-C9	A5052-1-C9	2
8	Impeller Ring (BRZ)	C5053-1-C9	A5060-C9	A5059-C9	A5062-C9	2
14	Shaft Sleeve (BRZ)	B4000-C9	B5364-C9	B4205-C9	B4100-C9	2
16	Inboard Bearing (Steel)	Q10-36-E4	052935	M-6142	625-00719	1
17A	Seal Cap (Iron)	A6700-2-A2	A5369-A2	A6708-2-A2	A6704-5-A2	2
18	Outboard Bearing (Steel)	Q10-36-E4	052935	M-6142	625-00719	1
20	Shaft Sleeve Nut (BRZ)	A5338-C9	A5360-C9	A5354-C9	A5348-C9	2
31	Inboard Bearing Housing (Iron)	B5337-1-A2	B5359-1-A2	B5353-1-A2	B5347-1-A2	1
32	Impeller Key (303 SS)	Q21-84-J8	Q21-37-J8	Q21-22-J8	Q21-23-J8	1
33	Outboard Bearing Housing (Iron)	B5337-A2	B5359-A2	B5353-A2	B5347-A2	1
38	Shaft Sleeve Gasket (Lexide)	H1043-2-L14	H1043-7-L14	H1043-5-L14	H1043-4-L14	2
40	Liquid Deflector (Rubber)	H1936-15-K2	H1936-5-K2	H1936-16-K2	H1936-9-K2	2
41	Inboard Bearing Cap (Iron)	B4298-A2	B4211-A2	B5375-A2	B4103-A2	1
43	Outboard Bearing Cap (Iron)	B4298-A2	B4211-A2	B5375-A2	B4103-A2	1
65 & 80	Mechanical Seal - Standard	Q26-178-Y35	Q26-181-Y35	Q26-180-Y35	Q26-217-Y35	2
65 & 80	Mechanical Seal - Hot Water	Q26-178-Y6	Q26-181-Y6	Q26-180-Y6	Q26-217-Y6	2
68	Seal Collar (BRZ)	A5095-C9	A5370-C9	A5147-C9	A5153-C9	2
72	Thrust Collar (Steel)	A5340-E4	A5363-E4	A5357-E4	A5351-E4	1
-	Seal Gasket (Cellulose)	A6499-L13	A5371-L13	A6501-L13	A6500-1-L13	2
73	Casing Gasket (Cellulose)	C7542-2-L13	C6687-L13	C8718-L13	C7505-L13	1
73A	Casing Gasket (Cellulose)	3491-1-L13	C6688-L13	C8719-L13	C7506-L13	1
127	Seal Piping	Q30-6-V6	Q30-6-V6	Q30-6-V6	Q30-6-V6	1
192	Retaining Ring (Steel)	Q27-55-E4	Q27-57-E4	Q27-50-E4	Q27-56-E4	2

* Recommended Spare Parts

1200 Series with Mechanical Seal and Sleeves	8L1 **	8L2A **	8L2B **	8L3 **	10L2A **	Qty.
1 Casing - 125# (Iron)	C8325-A2	C6585-10-1-A2	C6585-10-2-A2	C4521-A2	C4785-11-3-A2	1
1 Casing - 250# (Iron)	N/A	C6585-10-A12	N/A	C4521-11-A2	N/A	1
1 Casing - 250# (Ductile Iron)	C8325-1-A12	C6585A-10-A12	C6585A-10-3-A12	C4521-11-A12	C4785-11-2-A12	1
2 Impeller (BRZ)	4173-1-B25	B4366-B25	C8141-B25	B4487-B25	C6357-B25	1
6 Shaft (Steel)	B5788-E22	C5358-E22	C5358-E22	C5352-E22	C5719-E22	1
7 Casing Ring (BRZ)	A5049-C9	A5050-1-C9	A8142-C9	A5046-C9	A5049-C9	2
8 Impeller Ring (BRZ)	A5084-C9	A5060-C9	A8189-C9	A5057-C9	A5084-C9	2
14 Shaft Sleeve (BRZ)	B5789-C9	B5364-C9	B5364-C9	B4205-C9	B5170-C9	2
16 Inboard Bearing	M-4342	052935	052935	M-6142	073599	1
17A Seal Cap (Iron)	A6735-2-A2	A5369-A2	A5369-A2	A6708-2-A2	A5799-A2	2
18 Outboard Bearing (Steel)	Q10-108-E4	052935	052935	M-6142	073599	1
20 Shaft Sleeve Nut (BRZ)	A5798-C9	A5360-C9	A5360-C9	A5354-C9	A5718-C9	2
31 Inboard Bearing Housing (Iron)	B4773-1-A2	B5359-1-A2	B5359-1-A2	B5353-1-A2	B4348-1-A2	1
32 Impeller Key (303 SS)	Q21-48-J8	Q21-37-J8	Q21-37-J8	Q21-22-J8	Q21-52-J8	1
33 Outboard Bearing Housing (Iron)	B4772-1-A2	B5359-A2	B5359-A2	B5353-A2	B4347-A2	1
38 Shaft Sleeve Gasket (Lexide)	H1043-9-L14	H1043-7-L14	H1043-7-L14	H1043-5-L14	H1043-7-L14	2
40 Liquid Deflector (Rubber)	H1936-14-K2	H1936-5-K2	H1936-5-K2	H1936-16-K2	H1936-5-K2	2
41 Inboard Bearing Cap (Iron)	B5790-A2	B4211-A2	B4211-A2	B5375-A2	B4349-A2	1
43 Outboard Bearing Cap (Iron)	B5790-A2	B4211-A2	B4211-A2	B5375-A2	B4349-A2	1
65 & 80 Mechanical Seal - Standard	Q26-183-Y35	Q26-181-Y35	Q26-181-Y35	Q26-180-Y35	Q26-182-Y35	2
65 & 80 Mechanical Seal - Hot Water	Q26-183-Y6	Q26-181-Y6	Q26-181-Y6	Q26-180-Y6	Q26-182-Y6	2
68 Seal Collar (BRZ)	A5151-C9	A5370-C9	A5370-C9	A5147-C9	A5173-C9	2
72 Thrust Collar (Steel)	A5340-E4	A5363-E4	A5363-E4	A5357-E4	A5720-E4	1
- Seal Gasket (Cellulose)	A8384-L13	A5371-L13	A5371-L13	A6501-L13	A7578-L13	2
73 Casing Gasket (Cellulose)	B8326-L13	B7390-L13	121351	C5700-L13	4217-6-L13	1
73A Casing Gasket (Cellulose)	B8327-L13	B7391-L13	121352	C5701-L13	4217-7-L13	1
127 Seal Piping	Q30-6-V6	Q30-6-V6	Q30-6-V6	Q30-6-V6	Q30-6-V6	1
192 Retaining Ring (Steel)	Q27-73-E4	Q27-57-E4	030650	Q27-50-E4	Q27-73-E4	2

* Recommended Spare Parts
** Double Wear Ring

Repair Parts

1200 Series with Mechanical Seal and Sleeves	10L3A **	10L3B **	12L2A **	12L2B **	12L2C **	Qty.
1 Casing - 125# (Iron)	C8319-A2	C8319-A2	C6473-10-1-A2	C6473-10-1-A2	N/A	1
1 Casing - 250# (Iron)	N/A	N/A	N/A	N/A	N/A	1
1 Casing - 250# (Ductile Iron)	C8319-1-A12	C8319-1-A12	C6473-10-A12	C6473-10-A12	N/A	1
2 Impeller (BRZ)	C8530-B25	B4066-B25	C6634-B25	C8531-B25	N/A	1
2 Impeller (BRZ)	N/A	N/A	C8531-B12	N/A	N/A	1
6 Shaft (Steel)	C5358-E22	C5358-E22	B5788-E22	B5788-E22	N/A	1
7 Casing Ring (BRZ)	N/A	N/A	A6497-C9	N/A	N/A	2
7 Casing Ring (BRZ)	A5051-C9	A5051-C9	A6497-C9	A6497-C9	N/A	2
8 Impeller Ring (BRZ)	A5083-C9	A5082-C9	A6496-C9	A6496-C9	N/A	2
8 Impeller Ring (BRZ)	N/A	N/A	A6496-C9	N/A	N/A	2
14 Shaft Sleeve (BRZ)	B5364-C9	B5364-C9	B5789-C9	B5789-C9	N/A	2
16 Inboard Bearing	052935	052935	M-4342	M-4342	N/A	2
17A Seal Cap (Iron)	A5369-A2	A5369-A2	A6735-2-A2	A6735-2-A2	N/A	1
18 Outboard Bearing (Steel)	052935	052935	Q10-108-E4	Q10-108-E4	N/A	1
20 Shaft Sleeve Nut (BRZ)	A5360-C9	A5360-C9	A5798-C9	A5798-C9	N/A	2
31 Inboard Bearing Housing (Iron)	B5359-1-A2	B5359-1-A2	B4773-1-A2	B4773-1-A2	N/A	1
32 Impeller Key (303 SS)	Q21-37-J8	Q21-37-J8	Q21-48-J8	Q21-48-J8	N/A	1
33 Outboard Bearing Housing (Iron)	B5359-A2	B5359-A2	B4772-1-A2	B4772-1-A2	N/A	1
38 Shaft Sleeve Gasket (Lexide)	H1043-7-L14	H1043-7-L14	H1043-9-L14	H1043-9-L14	N/A	2
40 Liquid Deflector (Rubber)	H1936-5-K2	H1936-5-K2	H1936-14-K2	H1936-8-K2	N/A	2
41 Inboard Bearing Cap (Iron)	B4211-A2	B4211-A2	B5790-A2	B5790-A2	N/A	1
43 Outboard Bearing Cap (Iron)	B4211-A2	B4211-A2	B5790-A2	B5790-A2	N/A	1
65 & 80 Mechanical Seal - Standard	Q26-181-Y35	Q26-181-Y35	Q26-183-Y35	Q26-183-Y35	N/A	2
65 & 80 Mechanical Seal - Hot Water	Q26-181-Y6	Q26-181-Y6	Q26-183-Y6	Q26-183-Y6	N/A	2
68 Seal Collar (BRZ)	A5370-C9	A5370-C9	A5151-C9	A5151-C9	N/A	2
72 Thrust Collar (Steel)	A5363-E4	A5363-E4	N/A	N/A	N/A	1
- Seal Gasket (Cellulose)	A5371-L13	A5371-L13	A8384-L13	A8384-L13	N/A	2
73 Casing Gasket (Cellulose)	B8320-1-L13	B8320-1-L13	B6474-L13	B6474-L13	N/A	1
73A Casing Gasket (Cellulose)	B8321-3-L13	B8321-3-L13	B6475-L13	B6475-L13	N/A	1
127 Seal Piping	Q30-6-V6	Q30-6-V6	Q30-6-V6	Q30-6-V6	N/A	1
192 Retaining Ring (Steel)	Q27-57-E4	030650	Q27-73-E4	029863	N/A	2

* Recommended Spare Parts
** Double Wear Ring

SECTION RP
PAGE 218
DATE 10/18



PUMPS & SYSTEMS

1200 Series with Balanced Mechanical Seal		2L4A	2L4B	2L5	2L6	3L4	Qty.
1	Casing - 125# (Iron)	C5207-1-A2	C5207-1-A2	C5306-A2	C5317-11-A2	C5293-A2	1
1	Casing - 250# (Iron)	C5207-11-A2	N/A	C5306-10-A2	C5317-12-A2	C5293-10-A2	1
1	Casing - 250# (Ductile Iron)	C5207-11-A12	C5207-11-A12	C5306-10-A12	C5317-12-A12	C5293-10-A12	1
2	Impeller (BRZ)	C5223-1-B25	C5223-10-B25	C329465P01-B25	C5318-B25	C5294-B25	1
6	Shaft (416 SS)	C6699-1-J2	C6699-1-J2	C6699-1-J2	C6699-1-J2	C6703-J2	1
7	Casing Ring (BRZ)	A5047-2-C9	A5047-2-C9	A5045-5-C9	A5045-5-C9	A5045-5-C9	2
7	Casing Ring (BRZ)	A5047-1-C9	A5047-1-C9	A5045-4-C9	A5045-4-C9	A5045-4-C9	2
8	Impeller Ring (BRZ)	A5058-C9	A5058-C9	A5056-C9	A5056-C9	A5056-C9	2
16	Inboard Bearing (Steel)	Q10-36-E4	Q10-36-E4	Q10-36-E4	Q10-36-E4	625-00719	1
17A	Seal Cap (Iron)	A5310-1-A2	A5310-1-A2	A5310-1-A2	A5310-1-A2	A5311-4-A2	2
18	Outboard Bearing (Steel)	Q10-36-E4	Q10-36-E4	Q10-36-E4	Q10-36-E4	625-00719	1
24A	Shaft Collar (416 SS)	A6702-J2	A6702-J2	A6702-J2	A6702-J2	A5351-E4	2
31	Inboard Bearing Housing (Iron)	B5337-1-A2	B5337-1-A2	B5337-1-A2	B5337-1-A2	B5347-1-A2	1
32	Impeller Key (303 SS)	Q21-84-J8	Q21-25-J8	Q21-84-J8	Q21-84-J8	Q21-23-J8	1
33	Outboard Bearing Housing (Iron)	B5337-A2	B5337-A2	B5337-A2	B5337-A2	B5347-A2	1
38	Shaft Sleeve Gasket (Lexide)	H1043-2-L14	N/A	H1043-2-L14	H1043-2-L14	H1043-4-L14	2
40	Liquid Deflector (Rubber)	H1936-2-K2	H1936-2-K2	H1936-2-K2	H1936-2-K2	H1936-16-K2	2
41	Inboard Bearing Cap (Iron)	B4298-3-A2	B4298-3-A2	B4298-3-A2	B4298-3-A2	B4103-2-A2	1
43	Outboard Bearing Cap (Iron)	B4298-3-A2	B4298-3-A2	B4298-3-A2	B4298-3-A2	B4103-2-A2	1
68	Sleeve / Collar (BRZ)	A7340-C9	A7340-C9	A7340-C9	A7340-C9	A7357-C9	2
72	Thrust Collar (Steel)	A5340-E4	N/A	A5340-E4	A5340-E4	A5351-E4	1
73	Casing Gasket (Cellulose)	B5237-1-L13	B5237-1-L13	B5308-L13	B5319-1-L13	B5295-L13	1
73A	Casing Gasket (Cellulose)	B5238-1-L13	B5238-1-L13	B5309-L13	B5320-L13	B5296-L13	1
127	Seal Piping	Q30-6-V6	Q30-6-C6	Q30-6-V6	Q30-6-V6	Q30-6-V6	1
192	Retaining Ring (Steel)	Q27-55-E4	Q27-55-E4	Q27-55-E4	Q27-55-E4	Q27-56-E4	2
-	Seal Gasket (Cellulose)	A7150-L13	A7150-L13	A7150-L13	A7150-L13	A7723-L13	2
65 & 80	Mechanical Seal - Balanced	Q26-303-Y34	Q26-303-Y34	Q26-303-Y34	Q26-303-Y34	Q26-304-Y34	2
65 & 80	Mechanical Seal - Tung. Carb.	Q26-303-Y10	Q26-303-Y10	Q26-303-Y10	Q26-303-Y10	Q26-304-Y10	2

* Recommended Spare Parts

Repair Parts

	1200 Series with Balanced Mechanical Seal	3L5	3L6	4L1A	4L1B	4L1C	4L2	Qty.
1	Casing - 125# (Iron)	C5321-11-A2	C5617-A2	C6626-A2	C6626-A2	C6626-A2	C6663-A2	1
1	Casing - 250# (Iron)	C5321-12-A2	C5617-10-A2	C6626-A10-A2	N/A	N/A	C6663-10-A2	1
1	Casing - 250# (Ductile Iron)	C5321-12-A12	C5617-10-A12	C6626-10-A12	C6626-10-A12	C6626-10-A12	C6663-10-A12	1
2	Impeller (BRZ)	C5322-B25	C5618-B25	C6813-B25	C5322-B25	C6813-10-B25	C7665-B25	1
6	Shaft (416 SS)	C6703-J2	C6699-1-J2	C6703-J2	C6703-J2	C6703-J2	C6699-1-J2	1
7	Casing Ring (BRZ)	A5045-5-C9	A5045-5-C9	A5052-4-C9	A5052-4-C9	A5052-4-C9	A5044-3-C9	2
7	Casing Ring (BRZ)	A5045-4-C9	A5045-4-C9	A5052-1-C9	N/A	A5052-1-C9	A5044-1-C9	2
8	Impeller Ring (BRZ)	A5056-C9	A5056-C9	A5062-C9	A5847-C9	A5847-C9	A5055-C9	2
16	Inboard Bearing (Steel)	625-00719	Q10-36-E4	625-00719	625-00719	625-00719	Q10-36-E4	1
17A	Seal Cap (Iron)	A5311-4-A2	A5310-1-A2	A5311-4-A2	A5311-4-A2	A5311-4-A2	A5310-1-A2	2
18	Outboard Bearing (Steel)	625-00719	Q10-36-E4	625-00719	625-00719	625-00719	Q10-36-E4	1
24A	Shaft Collar (416 SS)	A6705-J2	A6702-J2	A6705-J2	A6705-J2	A6705-J2	A6702-J2	2
31	Inboard Bearing Housing (Iron)	B5347-1-A2	B5337-1-A2	B5347-1-A2	B5347-1-A2	B5347-1-A2	B5337-1-A2	1
32	Impeller Key (303 SS)	Q21-23-J8	Q21-84-J8	Q21-23-J8	Q21-23-J8	Q21-23-J8	Q21-84-J8	1
33	Outboard Bearing Housing (Iron)	B5347-A2	B5337-A2	B5347-A2	B5347-A2	B5347-A2	B5337-A2	1
40	Liquid Deflector (Rubber)	H1936-16-K2	H1936-2-K2	H1936-16-K2	H1936-16-K2	H1936-16-K2	H1936-2-K2	2
41	Inboard Bearing Cap (Iron)	B4103-2-A2	B4298-3-A2	B4103-2-A2	B4103-2-A2	B4103-2-A2	B4298-3-A2	1
43	Outboard Bearing Cap (Iron)	B4103-2-A2	B4298-3-A2	B4103-2-A2	B4103-2-A2	B4103-2-A2	B4298-3-A2	1
68	Sleeve / Collar (BRZ)	A7357-C9	A7340-C9	A7357-C9	A7357-C9	A7357-C9	A7340-C9	2
72	Thrust Collar (Steel)	A5351-E4	A5340-E4	A5351-E4	A5351-E4	A5351-E4	A5340-E4	1
73	Casing Gasket (Cellulose)	C7484-L13	B5627-L13	C6632-L13	C6632-L13	C6632-L13	C6668-L13	1
73A	Casing Gasket (Cellulose)	C7485-L13	B5628-L13	C6633-L13	C6633-L13	C6633-L13	C6669-L13	1
127	Seal Piping	Q30-6-V6	Q30-6-V6	Q30-6-V6	Q30-6-C6	Q30-6-C6	Q30-6-V6	1
192	Retaining Ring (Steel)	Q27-56-E4	Q27-55-E4	Q27-56-E4	Q27-56-E4	Q27-56-E4	Q27-56-E4	2
-	Seal Gasket (Cellulose)	A7723-L13	A7150-L13	A7723-L13	A7723-L13	A7723-L13	A7150-L13	2
65 & 80	Mechanical Seal - 1B	Q26-304-Y35	Q26-303-Y34	Q26-304-Y34	Q26-304-Y34	Q26-304-Y34	Q26-303-Y34	2
65 & 80	Mechanical Seal - 1B Tung. Carb.	Q26-304-Y10	Q26-303-Y10	Q26-304-Y10	Q26-304-Y10	Q26-304-Y10	Q26-303-Y10	2

* Recommended Spare Parts

1200 Series with Balanced Mechanical Seal		4L3	4L4	5L1	5L2	Qty.
1	Casing - 125# (Iron)	C3997-A2	C5299-10-A2	C6638-A2	C6523-A2	1
1	Casing - 250# (Iron)	C3997-10-A2	C5299-11-A2	C6638-10-A2	C6523-10-A2	1
1	Casing - 250# (Ductile Iron)	C3997-10-A12	C5299-11-A12	C6638-10-A12	C6523-10-A12	1
2	Impeller (BRZ)	B3999-B25	C5300-B25	3369-1-B25	C6535-10-B25	1
6	Shaft (416 SS)	C6699-1-J2	C6707-J2	C6707-J2	C6703-J2	1
7	Casing Ring (BRZ)	A5045-5-C9	A5044-3-C9	A5048-C9	A5052-4-C9	2
7	Casing Ring (BRZ)	A5045-4-C9	A5044-1-C9	A5048-1-C9	A5052-1-C9	2
8	Impeller Ring (BRZ)	A5056-C9	A5055-C9	A5059-C9	A5062-C9	2
16	Inboard Bearing (Steel)	Q10-36-E4	M-6142	M-6142	625-00719	1
17A	Seal Cap (Iron)	A5310-1-A2	A5325-3-A2	A5325-3-A2	A5311-4-A2	2
18	Outboard Bearing (Steel)	Q10-36-E4	M-6142	M-6142	625-00719	1
24A	Shaft Collar (416 SS)	A6702-J2	A6710-J2	A6710-J2	A6705-J2	2
31	Inboard Bearing Housing (Iron)	B5337-1-A2	B5353-1-A2	B5353-1-A2	B5347-1-A2	1
32	Impeller Key (303 SS)	Q21-5-J8	Q21-22-J8	Q21-22-J8	Q21-23-J8	1
33	Outboard Bearing Housing (Iron)	B5337-A2	B5353-A2	B5353-A2	B5347-A2	1
40	Liquid Deflector (Rubber)	H1936-2-K2	H1936-4-K2	H1936-4-K2	H1936-16-K2	2
41	Inboard Bearing Cap (Iron)	B4298-3-A2	B5375-3-A2	B5375-3-A2	B4103-2-A2	1
43	Outboard Bearing Cap (Iron)	B4298-3-A2	B5375-3-A2	B5375-3-A2	B4103-2-A2	1
68	Sleeve / Collar (BRZ)	A7340-C9	A7358-C9	A7358-C9	A7357-C9	2
72	Thrust Collar (Steel)	N/A	A5357-E4	A5357-E4	A5351-E4	1
73	Casing Gasket (Cellulose)	3488-1-L13	B5301-L13	C7576-L13	C6537-L13	1
73A	Casing Gasket (Cellulose)	3488-2-L13	B5302-L13	C7577-L13	C6538-L13	1
127	Seal Piping	Q30-6-V6	Q30-6-V6	Q30-6-V6	Q30-6-V6	1
192	Retaining Ring (Steel)	Q27-55-E4	Q27-50-E4	Q27-50-E4	Q27-56-E4	2
-	Seal Gasket (Cellulose)	A7150-L13	A6298-L13	A6298-L13	A7723-L13	2
65 & 80	Mechanical Seal - 1B	Q26-303-Y34	Q26-305-Y34	Q26-305-Y34	Q26-304-Y34	2
65 & 80	Mechanical Seal - 1B Tung. Carb.	Q26-303-Y10	Q26-305-Y10	Q26-305-Y10	Q26-304-Y10	2

* Recommended Spare Parts

Repair Parts

	1200 Series with Balanced Mechanical Seal	5L3	6L1	6L2	6L3	Qty.
1	Casing - 125# (Iron)	C4015-12-A2	C6677-A2	C8703-A2	C4054-11-A2	1
1	Casing - 250# (Iron)	C4015-13-A2	C6677-10-A2	A8703-10-A2	C4054-12-A2	1
1	Casing - 250# (Ductile Iron)	C4015-13-A12	C6677-10-A12	C8703-10-A12	C4054-12-A12	1
2	Impeller (BRZ)	3049-1-B25	B4343-B25	C5244-11-B25	B4040-B25	1
6	Shaft (416 SS)	C6699-1-J2	C6714-J2	C6707-J2	C6703-J2	1
7	Casing Ring (BRZ)	A5042-2-C9	A5050-C9	A5048-C9	A5052-4-C9	2
7	Casing Ring (BRZ)	A5042-4-C9	A5050-1-C9	A5048-1-C9	A5052-1-C9	2
8	Impeller Ring (BRZ)	C5053-1-C9	A5060-C9	A5059-C9	A5062-C9	2
16	Inboard Bearing (Steel)	Q10-36-E4	052935	M-6142	625-00719	1
17A	Seal Cap (Iron)	A5310-1-A2	A5369-3-A2	A5325-3-A2	A5311-4-A2	2
18	Outboard Bearing (Steel)	Q10-36-E4	052935	M-6142	625-00719	1
24A	Shaft Collar (416 SS)	A6702-J2	A6726-J2	A6710-J2	A6705-J2	2
31	Inboard Bearing Housing (Iron)	B5337-1-A2	B5359-1-A2	B5353-1-A2	B5347-1-A2	1
32	Impeller Key (303 SS)	Q21-84-J8	Q21-37-J8	Q21-22-J8	Q21-23-J8	1
33	Outboard Bearing Housing (Iron)	B5337-A2	B5359-A2	B5353-A2	B5347-A2	1
38	Shaft Sleeve Gasket (Lexide)	H1043-2-L14	H1043-7-L14	H1043-5-L14	H1043-4-L14	2
40	Liquid Deflector (Rubber)	H1936-2-K2	H1936-6-K2	H1936-4-K2	H1936-16-K2	2
41	Inboard Bearing Cap (Iron)	B4298-3-A2	B4211-1-A2	B5375-3-A2	B4103-2-A2	1
43	Outboard Bearing Cap (Iron)	B4298-3-A2	B4211-1-A2	B5375-3-A2	B4103-2-A2	1
68	Sleeve / Collar (BRZ)	A7340-C9	A7360-C9	A7358-C9	A7357-C9	2
72	Thrust Collar (Steel)	A5340-E4	A5363-E4	A5357-E4	A5351-E4	1
73	Casing Gasket (Cellulose)	C7542-2-L13	C6687-L13	C8718-L13	C7505-L13	1
73A	Casing Gasket (Cellulose)	3491-1-L13	C6688-L13	C8719-L13	C7506-L13	1
127	Seal Piping	Q30-6-V6	Q30-6-V6	Q30-6-V6	Q30-6-V6	1
192	Retaining Ring (Steel)	Q27-55-E4	Q27-57-E4	Q27-50-E4	Q27-56-E4	2
-	Seal Gasket (Cellulose)	A7150-L13	A5371-L13	A6298-L13	A77230L13	2
65 & 80	Mechanical Seal - Balanced	Q26-303-Y34	Q26-306-Y34	Q26-305-Y34	Q26-304-Y34	2
65 & 80	Mechanical Seal - Tung. Carb.	Q26-303-Y10	Q26-306-Y10	Q26-305-Y10	Q26-304-Y10	2

* Recommended Spare Parts

1200 Series with Balanced Mechanical Seal	8L1 **	8L2A **	8L2B **	8L3 **	10L2A **	Qty.
1 Casing - 125# (Iron)	C8325-A2	C6585-10-1-A2	C6585-10-2-A2	C4521-A2	C4785-11-3-A2	1
1 Casing - 250# (Iron)	N/A	C6585-10-A12	N/A	C4521-11-A2	N/A	1
1 Casing - 250# (Ductile Iron)	C8325-1-A12	C6585A-10-A12	C6585A-10-3-A12	C4521-11-A12	C4785-11-2-A12	1
2 Impeller (BRZ)	4173-1-B25	B4366-B25	C8141-B25	B4487-B25	C6357-B25	1
6 Shaft (416 SS)	C6730-J2	C6714-J2	C6714-J2	C6707-J2	C6727-J2	1
7 Casing Ring (BRZ)	A5049-C9	A5050-1-C9	A8142-C9	A5046-C9	A5049-C9	2
8 Impeller Ring (BRZ)	A5084-C9	A5060-C9	A8189-C9	A5057-C9	A5084-C9	2
16 Inboard Bearing	M-4342	052935	052935	M-6142	073599	1
17A Seal Cap (Iron)	A6735-1-A2	A5369-3-A2	A5369-3-A2	A5325-3-A2	A5799-1-A2	2
18 Outboard Bearing (Steel)	Q10-108-E4	052935	052935	M-6142	073599	1
24A Shaft Collar (416 SS)	A6736-J2	A6726-J2	A6726-J2	A6710-J2	A6726-J2	2
31 Inboard Bearing Housing (Iron)	B4773-1-A2	B5359-1-A2	B5359-1-A2	B5353-1-A2	B4348-1-A2	1
32 Impeller Key (303 SS)	Q21-48-J8	Q21-37-J8	Q21-37-J8	Q21-22-J8	Q21-52-J8	1
33 Outboard Bearing Housing (Iron)	B4772-1-A2	B5359-A2	B5359-A2	B5353-A2	B4347-A2	1
40 Liquid Deflector (Rubber)	H1936-8-K2	H1936-6-K2	H1936-6-K2	H1936-4-K2	H1936-6-K2	2
41 Inboard Bearing Cap (Iron)	B5790-2-A2	B4211-1-A2	B4211-1-A2	B5375-3-A2	B4349-1-A2	1
43 Outboard Bearing Cap (Iron)	B5790-2-A2	B4211-1-A2	B4211-1-A2	B5375-3-A2	B4349-1-A2	1
68 Sleeve / Collar (BRZ)	A7923-C9	A7360-C9	A7360-C9	A7358-C9	A7360-C9	2
72 Thrust Collar (Steel)	N/A	A5363-E4	A5363-E4	A5357-E4	A5720-E4	1
73 Casing Gasket (Cellulose)	B8326-L13	B7390-L13	121351	C5700-L13	4217-6-L13	1
73A Casing Gasket (Cellulose)	B8327-L13	B7391-L13	121352	C5700-L13	4217-7-L13	1
127 Seal Piping	Q30-6-V6	Q30-6-V6	Q30-6-C6	Q30-6-V6	Q30-6-V6	1
192 Retaining Ring (Steel)	Q27-73-E4	Q27-57-E4	030650	Q27-50-E4	Q27-73-E4	2
- Seal Gasket (Cellulose)	A8384-L13	A5371-L13	A5371-L13	A6298-L13	A5371-L13	2
65 & 80 Mechanical Seal - Balanced	Q26-340-Y34	Q26-306-Y34	Q26-306-Y34	Q26-305-Y34	Q26-306-Y34	2
65 & 80 Mechanical Seal - Tung. Carb.	Q26-340-Y10	Q26-306-Y10	Q26-306-Y10	Q26-305-Y10	Q26-306-Y10	2

* Recommended Spare Parts
** Double Wear Ring

Repair Parts

1200 Series with Balanced Mechanical Seal	10L3A **	10L2B **	12L2A **	12L2B **	12L2C **	Qty.
1 Casing - 125# (Iron)	C8319-A2	N/A	C6473-10-1-A2	C6473-10-1-A2	N/A	1
1 Casing - 250# (Iron)	N/A	N/A	N/A	N/A	N/A	1
1 Casing - 250# (Ductile Iron)	C8319-1-A12	N/A	C6473-10-A12	C6473-10-A12	N/A	1
2 Impeller (BRZ)	C8530-B25	N/A	C6634-B25	C8531-B25	N/A	1
6 Shaft (416 SS)	C6714-J2	N/A	C6730-J2	C6730-J2	N/A	1
7 Casing Ring (BRZ)	A5051-C9	N/A	A6497-C9	A6497-C9	N/A	2
8 Impeller Ring (BRZ)	A5083-C9	N/A	A6496-C9	A6496-C9	N/A	2
16 Inboard Bearing	052935	N/A	M-4342	M-4342	N/A	1
17A Seal Cap (Iron)	A5369-3-A2	N/A	A6735-1-A2	A6735-1-A2	N/A	2
18 Outboard Bearing (Steel)	052935	N/A	Q10-108-E4	Q10-108-E4	N/A	1
24A Shaft Collar (416 SS)	A6726-J2	N/A	A6736-J2	A6736-J2	N/A	2
31 Inboard Bearing Housing (Iron)	B5359-1-A2	N/A	B4773-1-A2	B4773-1-A2	N/A	1
32 Impeller Key (303 SS)	Q21-37-J8	N/A	Q21-48-J8	Q21-48-J8	N/A	1
33 Outboard Bearing Housing (Iron)	B5359-A2	N/A	B4772-1-A2	B4772-1-A2	N/A	1
40 Liquid Deflector (Rubber)	H1936-6-K2	N/A	H1936-8-K2	H1936-8-K2	N/A	2
41 Inboard Bearing Cap (Iron)	B4211-1-A2	N/A	B5790-2-A2	B5790-2-A2	N/A	1
43 Outboard Bearing Cap (Iron)	B4211-1-A2	N/A	B5790-2-A2	B5790-2-A2	N/A	1
68 Sleeve / Collar (BRZ)	A7360-C9	N/A	A7923-C9	A7923-C9	N/A	2
72 Thrust Collar (Steel)	A5363-E4	N/A	N/A	N/A	N/A	1
73 Casing Gasket (Cellulose)	B8320-1-L13	N/A	B6474-L13	B6474-L13	N/A	1
73A Casing Gasket (Cellulose)	B8321-3-L13	N/A	B6475-L13	B6475-L13	N/A	1
127 Seal Piping	Q30-6-V6	N/A	Q30-6-V6	Q30-6-C6	N/A	1
192 Retaining Ring (Steel)	Q27-57-E4	N/A	Q27-73-E4	029863	N/A	2
- Seal Gasket (Cellulose)	A5371-L13	N/A	A8384-L13	A8384-L13	N/A	2
65 & 80 Mechanical Seal - Balanced	Q26-306-Y34	N/A	Q26-340-Y34	Q26-340-Y34	N/A	2
65 & 80 Mechanical Seal - Tung. Carb.	Q26-306-Y10	N/A	Q26-340-Y10	Q26-340-Y10	N/A	2

* Recommended Spare Parts
** Double Wear Ring