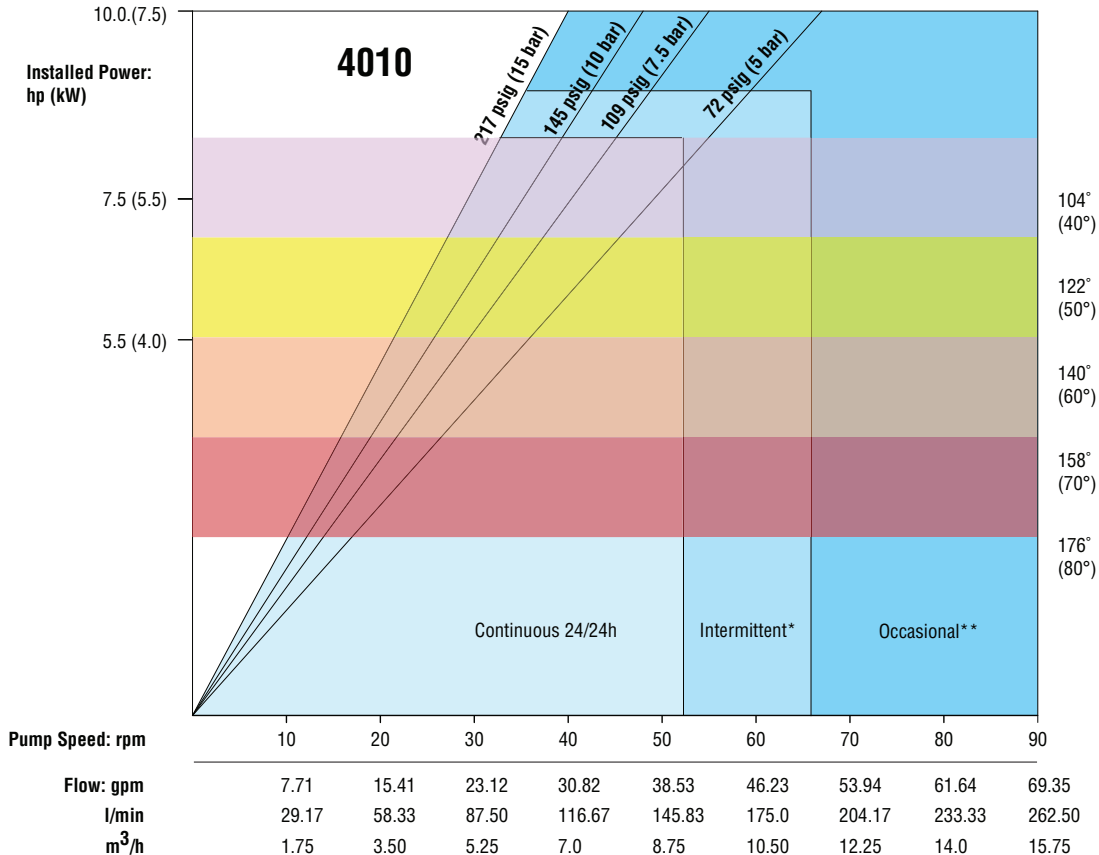


Performance



* Intermittent use: Minimum of 1 hour stop after 2 hours use ** Occasional use: Maximum 1 hour per day

Fluid Characteristics

Viscosity:	100,000 cps max.
Liquid Temperature:	180°F (82°C) max.
Solid Size:	(see page 4)
Fiber Length:	19-5/8 inch (500 mm) max.

Materials of Construction

Casing:	Ductile Iron
Rotor:	Ductile Iron
Shoes:	Cast Iron
Frame:	Steel
Cover:	Steel
Casing O-ring Seal:	Nitrile
Hose Materials:	NR/NBR/EPDM/Hypalon

Specifications

Discharge Pressure:	218 psig (15 bar) max.
Suction Lift (sea level):	29.5 ft (9 m) max.
Suction Pressure:	21.8 psig (1.5 bar) max.
NPSHr:	4 ft
Horsepower*:	10 max.
Hose Size:	51 x 81 x 1820 mm
Displacement:	0.77 gal/rev
Lubrication Fluid:	10.57 qts (10 L)
Lubricant:	Glycerine / Glycol
Weight (pump only):	430 lbs. (195 kg)
Weight (with drive):	694 lbs. (315 kg)

* Pumps are shaft driven and require a gearbox and motor. See Ordering Information on following page for details.

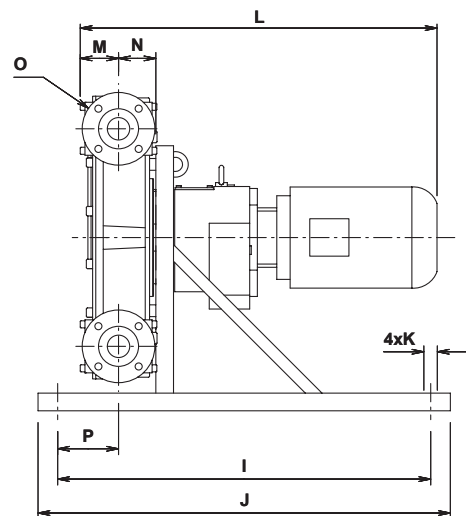
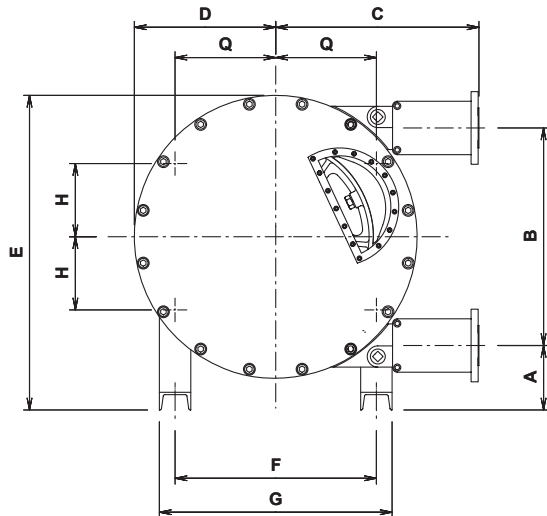
Model 4010 Ordering Information

A complete Vector pump order number uses a 10-character order code to identify the desired hose, fittings and drive. Select the appropriate items from the chart to the right and use the order code from each group to complete the pump assembly order number.



Dimensional Drawings

See Ordering Information for motor and gearbox sizes.



	A	B	C	D	E	F	G	H	I	J	K	M	N	O	P	Q
Inches	6.5	21.8	20.4	14.2	31.6	20.2	23.4	7.3	37.4	41.3	3.8	4.0	2" 1b	6.4	10.1	
mm	164.5	554	517.5	360	801.5	513	593	186	950	1050	4xø19	97.5	102	ANSI	162	256.5

1	2	3	4	-	5	6	-	7	8	-	9	10
4	0	1	0	-			-			-		

Order Digit	Order Code	Description				
1-4	4010	Pump Designation Model 4010 Shaft Drive Pump				
5-6	MF	Hose Material (fiber-braided) Natural Rubber				
	BF	NBR, Oil-rated				
	EF	EPDM				
	HF	Hypalon				
7-8	BB	Connector Material/Style 316 SST insert w/ 316 SST 2" 150 Lb ANSI flange				
	PP	Polypropylene insert w/ 316 SST 2" 150 Lb ANSI flange				
	MM	PVDF insert w/ 316 SST 2" 150 Lb ANSI flange				
9-10		Drive				
		Flow GPM				
		Gear Ratio				
		Pump RPM				
		Max Psig				
		BHP				
		3Ø, TEFC, 230/460 VAC, 60 Hz 4:1 Inverter Duty Turndown				
	B2	19.0	71:1	25	217*	7.5
	D2	26.9	50:1	35	217*	10
	F2	36.9	37:1	48	100*	10
	H2	47.7	28:1	62	72	10
	J2	58.5	23:1	76	45	10

Fluid Viscosity	Pressure Range*
0 - 250 cps	0 - 75 psig
250 - 100,000 cps	0 - 217 psig