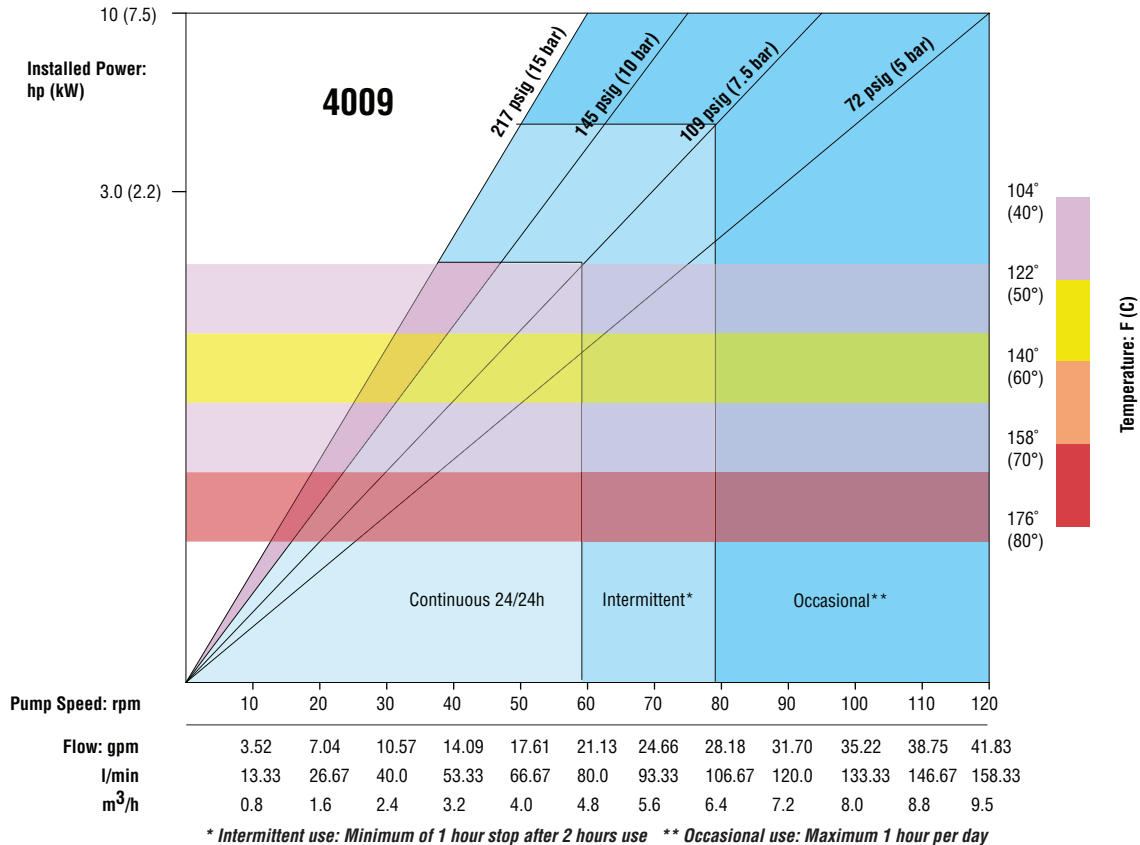


MODEL 4009 PUMP DATA

Performance



Fluid Characteristics

Viscosity:	100,000 cps max.
Liquid Temperature:	180°F (82°C) max.
Solid Size:	(see page 4)
Fiber Length:	11-7/8 inch (300 mm) max.

Materials of Construction

Casing:	Ductile Iron
Rotor:	Ductile Iron
Shoes:	Aluminium
Frame:	Steel
Cover:	Steel
Casing O-ring Seal:	Nitrile
Hose Materials:	NR/NBR/EPDM/Hypalon

Specifications

Discharge Pressure:	218 psig (15 bar) max.
Suction Lift (sea level):	29.5 ft (9 m) max.
Suction Pressure:	21.8 psig (1.5 bar) max.
NPSHr:	4 ft
Horsepower:*	5.0 max.
Hose Size:	40 x 67 x 1500 mm
Displacement:	0.352 gal/rev
Lubrication Fluid:	5.28 qts (5 L)
Lubricant:	Glycerine / Glycol.
Weight (pump only):	203 lbs. (92 kg)
Weight (with drive):	463 lbs. (210 kg)

* Pumps are shaft driven and require a gearbox and motor.
 See Ordering Information on following page for details.

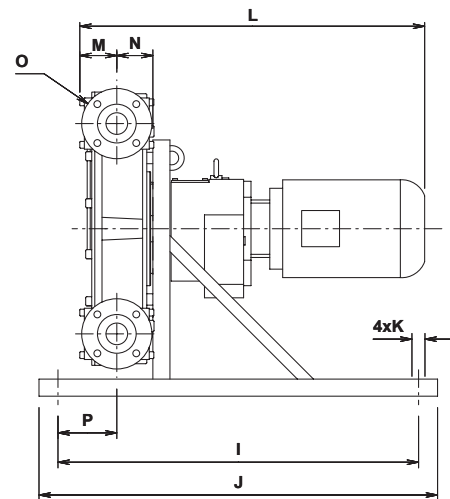
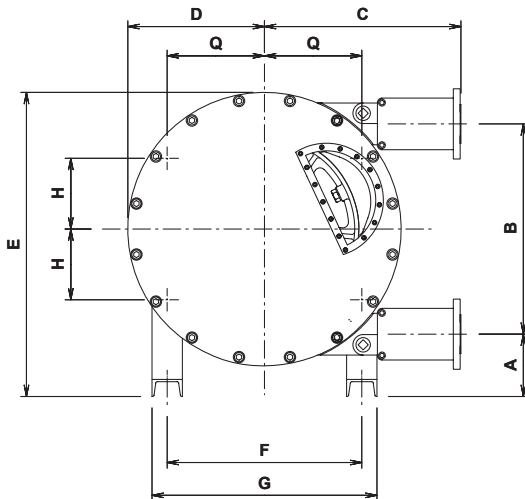
Model 4009 Ordering Information

A complete Vector pump order number uses a 10-character order code to identify the desired hose, fittings and drive. Select the appropriate items from the chart to the right and use the order code from each group to complete the pump assembly order number.



Dimensional Drawings

See Ordering Information for motor and gearbox sizes.



	A	B	C	D	E	F	G	H	I	J	K	M	N	O	P	Q
Inches	4.3	16.9	15.8	11.5	24.3	13.4	16.5	6.7	33.5	37.4		2.9	3.5	1.5" 150 lb	3.4	6.7
mm	110	430	400	291	616	340	420	170	850	950	4xø19	73	88	ANSI	87	170

1	2	3	4	5	6	7	8	9	10
4	0	0	9	-		-		-	

Order Digit	Order Code	Description				
1-4		Pump Designation				
	4009	Model 4009 Shaft Drive Pump				
5-6		Hose Material (fiber-braided)				
	MF	Natural Rubber				
	BF	NBR, Oil-rated				
	EF	EPDM				
	HF	Hypalon				
7-8		Connector Material/Style				
	BB	316 SST insert w/ 316 SST 1-1/2" 150 Lb ANSI flange				
	PP	Polypropylene insert w/ 316 SST 1-1/2" 150 Lb ANSI flange				
	MM	PVDF insert w/ 316 SST 1-1/2" 150 Lb ANSI flange				
9-10		Drive				
		Flow GPM				
		Gear Ratio				
		Pump RPM				
		Max Psig				
		BHP				
		3Ø, TEFC, 230/460 VAC, 60 Hz				
		4:1 Inverter Duty Turndown				
	B2	8.4	72:1	24	217*	3
	D2	12.6	49:1	36	217*	5
	F2	15.8	39:1	45	217*	5
	H2	19.0	32:1	54	160*	5
	J2	24.7	25:1	70	120*	7.5
	K2	35.9	17:1	102	72	7.5

Fluid Viscosity	Pressure Range*
0 - 250 cps	0 - 75 psig
250 - 100,000 cps	0 - 217 psig