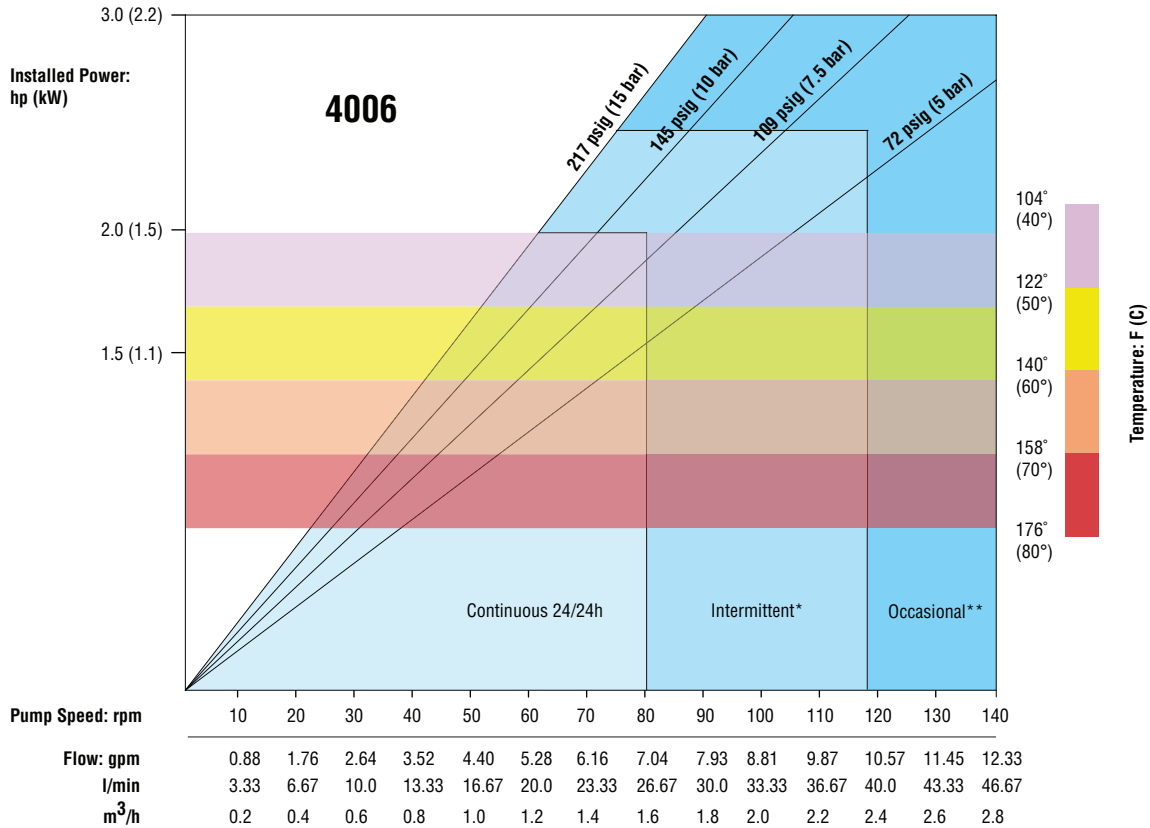


# MODEL 4006 PUMP DATA

## Performance



\* Intermittent use: Minimum of 1 hour stop after 2 hours use \*\* Occasional use: Maximum 1 hour per day

## Fluid Characteristics

Viscosity:	100,000 cps max.
Liquid Temperature:	180°F (82°C) max.
Solid Size:	(see page 4)
Fiber Length:	6 inch (150 mm) max.

## Materials of Construction

Casing:	Ductile Iron
Rotor:	Ductile Iron
Shoes:	Aluminium
Frame:	Steel
Cover:	Electroplated Steel
Casing O-ring Seal:	Nitrile
Hose Materials:	NR/NBR/EPDM/Hypalon

## Specifications

Discharge Pressure:	218 psig (15 bar) max.
Suction Lift (sea level):	29.5 ft (9 m) max.
Suction Pressure:	21.8 psig (1.5 bar) max.
NPSHr:	4 ft
Horsepower:*	3.0 max.
Hose Size:	25 x 54 x 1090 mm
Displacement:	0.088 gal/rev
Lubrication Fluid:	2.22 qts (2.1 L) max.
Lubricant:	Glycerine / Glycol
Weight (pump only):	112 lbs. (51 kg)
Weight (with drive):	176 lbs. (80 kg)

\* Pumps are shaft driven and require a gearbox and motor. See Ordering Information on following page for details.

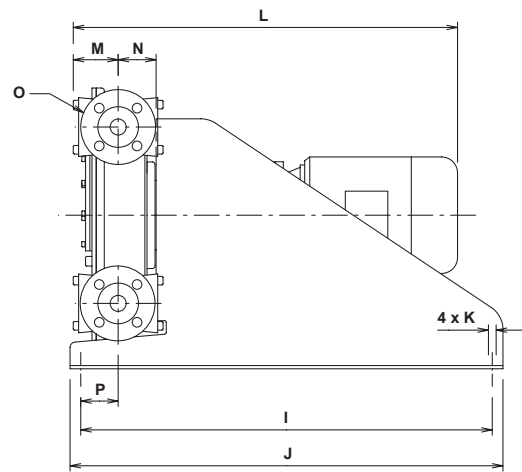
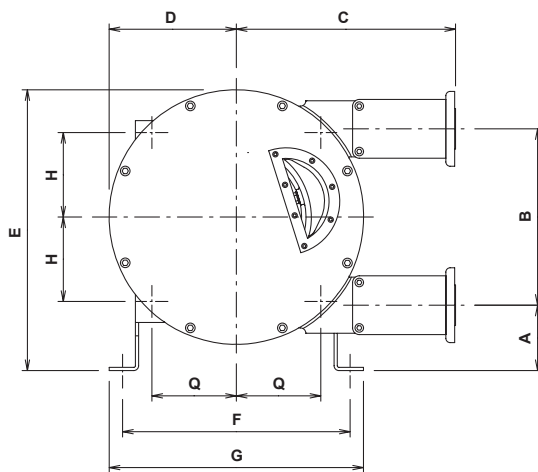
## Model 4006 Ordering Information

A complete Vector pump order number uses a 10-character order code to identify the desired hose, fittings and drive. Select the appropriate items from the chart to the right and use the order code from each group to complete the pump assembly order number.



## Dimensional Drawings

See Ordering Information for motor and gearbox sizes.



	A	B	C	D	E	F	G	H	I	J	K	M	N	O	P	Q
<b>Inches</b>	3.7	10.3	14.0	7.5	16.4	12.3	13.9	4.3	22.1	23.6	2.6	2.7	1" 150 lb	2.7	4.3	
<b>mm</b>	95	262	355.5	190	416	312	352	110	560	600	4xø13	65	69	ANSI	69	110

<b>1</b>	<b>2</b>	<b>3</b>	<b>4</b>	<b>5</b>	<b>6</b>	<b>7</b>	<b>8</b>	<b>9</b>	<b>10</b>
4	0	0	6	-		-		-	

Order Digit	Order Code	Description				
<b>1-4</b>	<b>4006</b>	<b>Pump Designation</b> Model 4006 Shaft Drive Pump				
<b>5-6</b>	<b>MF</b>	<b>Hose Material (fiber-braided)</b> Natural Rubber				
	<b>BF</b>	NBR, Oil-rated				
	<b>EF</b>	EPDM				
	<b>HF</b>	Hypalon				
<b>7-8</b>	<b>BB</b>	<b>Connector Material/Style</b> 316 SST insert w/ 316 SST 1" 150 Lb ANSI flange				
	<b>PP</b>	Polypropylene insert w/ 316 SST 1" 150 Lb ANSI flange				
	<b>MM</b>	PVDF insert w/ 316 SST 1" 150 Lb ANSI flange				
<b>9-10</b>		<b>Drive</b>				
		<b>Flow GPM</b>				
		<b>Gear Ratio</b>				
		<b>Pump RPM</b>				
		<b>Max Psig</b>				
		<b>BHP</b>				
		<b>3Ø, TEFC, 230/460 VAC, 60 Hz</b>				
		<b>4:1 Inverter Duty Turndown</b>				
	<b>B2</b>	1.5	97:1	18	217*	1.5
	<b>D2</b>	2.8	54:1	32	217*	2
	<b>F2</b>	3.9	39:1	45	217*	3
	<b>H2</b>	5.5	28:1	63	217*	3
	<b>J2</b>	7.6	20:1	87	140*	3
	<b>K2</b>	8.8	17:1	100	140*	3

Fluid Viscosity	Pressure Range*
0 - 250 cps	0 - 75 psig
250 - 100,000 cps	0 - 217 psig