

Design Features

- Lubricant-filled cavity - constant lubrication
- Self-priming operation
- Runs dry without damage
- Complete isolation of fluid pumped
- Heavy-duty roller bearings
- Variety of pump configurations, flows, and pressure ratings
- No dynamic seals, cups or packing to leak, wear or replace
- Reversible flow
- Low maintenance

Materials of Construction

Non-wetted Parts

Casing: Aluminum

Rotor: Cast Iron

Rollers: Steel

Roller Holders: Cast Iron

Frame: Steel

Wetted Parts

Hose:

FIBER BRAIDED – EPDM, Hypalon, Nitrile Rubber, Natural Rubber

Inlet/Outlet Connections:

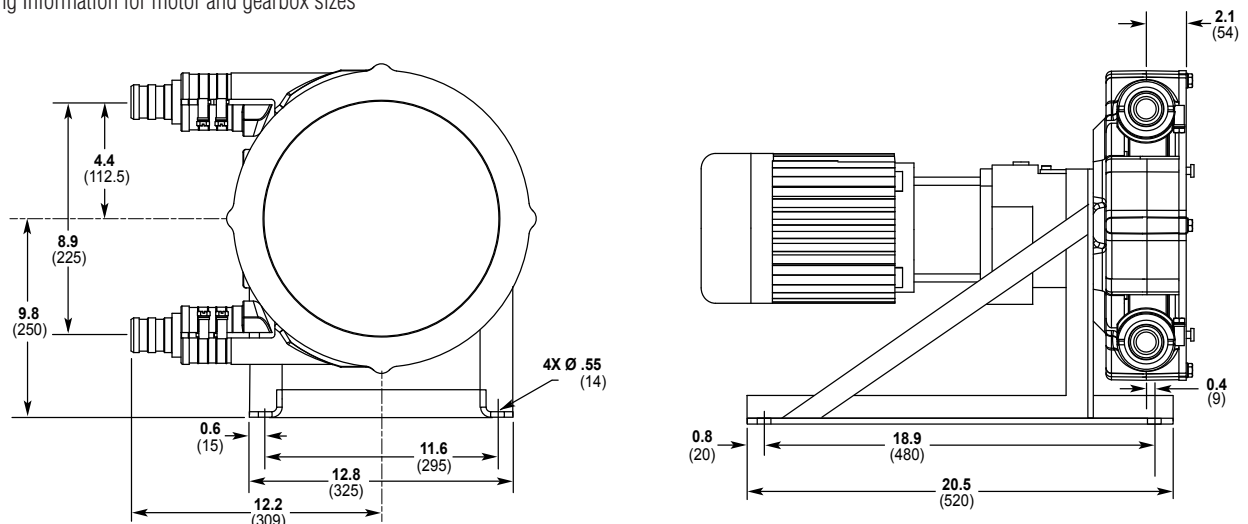
PVC, Carbon Steel, and Stainless Steel



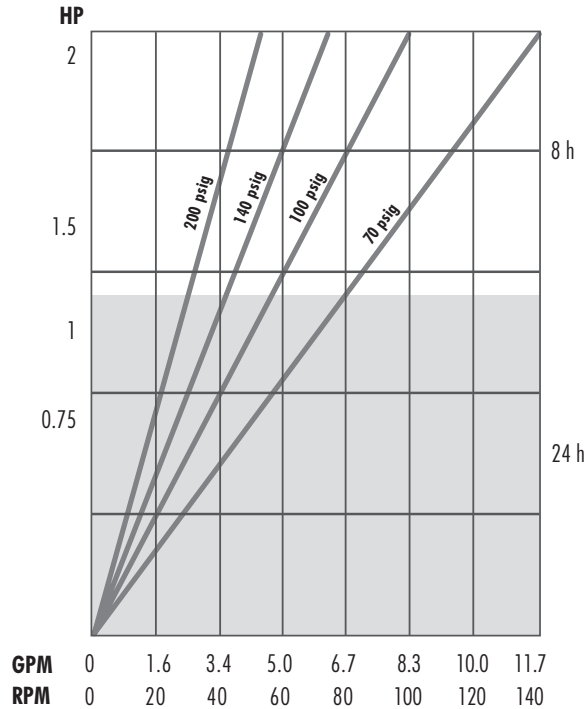
Dimensional Drawings

Inches (mm)

See Ordering Information for motor and gearbox sizes



Performance



Fluid Characteristics

Viscosity:	100,000 cps max.
Liquid Temperature:	180°F (82°C) max.
Solid Size:	(see page 4)
Fiber Length:	4 inch (100 mm) max.

Specifications

Discharge Pressure:	200 psig (13.8 bar) max.
Suction Lift:	22 ft. (6.7 m)
Suction Pressure:	21 psig (1.4 bar) max.
Horsepower:*	2 max.
Hose Size:	25 x 45 x 850 mm
Displacement:	0.079 gal/rev (0.30 l/rev)
Lubrication Fluid:	1.6 quarts max.
Weight (pump only):	77 lbs. (35 kg)
Weight (with drive):	176 lbs. (80 kg)

* Pumps are shaft driven and require a gearbox and motor.
See Ordering Information for details.

Model 3005 Ordering Information

A complete Vector pump order number uses a 9-character order code to identify the desired hose, fittings and drive. Select the appropriate items from the chart below and use the order code from each group to complete the pump assembly order number.

1	2	3	4	5	6	7	8	9	10
3	0	0	5						

Order Digit	Order Code	Description
1-4	3005	Pump Designation Model 3005 Shaft Drive Pump
5-6		Hose Material/Type
	EF	EPDM, fiber-braided (100 psig max.)
	HF	Hypalon, fiber-braided (100 psig max.)
	MF	Natural Rubber, fiber-braided, heavy-duty (200 psig max.)
	NF	Natural Rubber, fiber-braided (100 psig max.)
	OF	Nitrile, Oil-rated, fiber-braided, heavy-duty (200 psig max.)
7-8		Connector Material/Style
	EB	Carbon Steel, 1-1/4" hose barb
	EE	Carbon Steel, 1-1/4" male NPT
	PV	PVC, 1-1/4" hose barb
	TT	316 SST, 1-1/4" MNPT
	SS	316 SST, 1-1/4" hose barb
9-10		Drive
		Flow GPM
		Gear Ratio
		Pump RPM
		Max Psig
		3Ø, 3/4 BHP TEFC, 230-460 VAC, 60 Hz
		4:1 Constant Torque Speed Range
	B2	1.3 90:1 19 200 ⁽¹⁾
	D2	1.7 69:1 25 175 ⁽¹⁾
		3Ø, 1 BHP TEFC, 230-460 VAC, 60 Hz
		4:1 Constant Torque Speed Range
	F2	2.8 43:1 39 150 ⁽¹⁾
		3Ø, 2 BHP TEFC, 230-460 VAC, 60 Hz
		4:1 Constant Torque Speed Range
	H2	5.7 22:1 78 100 ⁽¹⁾
	J2	7.6 17:1 102 75 ⁽¹⁾
	L2	9.2 14:1 123 50 ⁽¹⁾
	X	No Drive
		⁽¹⁾ () Fluid Viscosity Pressure Range
		0-500 cps 0-75 psig
		500-100,000 cps 0-200 psig