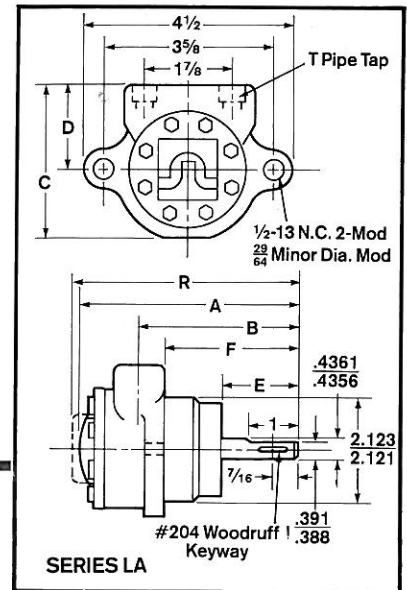


SERIES LA

UL LISTED*

*Except models equipped with reversing feature.

PUMP MODEL		NOMINAL CAP. GPM		OVERALL LENGTH		PUMP DIMENSIONS					
BI-ROTATIONAL	REVERSING	1200 RPM	1800 RPM	BI-ROT.	REV.	B	C	D	E	F	T
30LA	—	.3	.5	5 ⁵ / ₃₂	—	3 ²⁹ / ₃₂	3 ³ / ₃₂	1 ¹¹ / ₁₆	1 ⁹ / ₁₆	3 ³ / ₁₆	3/8-18
00LA	—	.6	1.0	5 ⁵ / ₃₂	—	3 ²⁹ / ₃₂	3 ³ / ₃₂	1 ¹¹ / ₁₆	1 ⁷ / ₈	3 ³ / ₁₆	1/2-14
—	00RLA	.6	1.0	—	5 ¹⁵ / ₃₂	3 ³ / ₄	3 ³ / ₃₂	1 ¹¹ / ₁₆	1 ²⁹ / ₃₂	3 ¹ / ₃₂	1/2-14
—	0RLA	1.2	1.8	5 ⁵ / ₃₂	5 ⁵ / ₃₂	3 ²⁹ / ₃₂	3 ³ / ₃₂	1 ¹¹ / ₁₆	1 ⁷ / ₈	3 ³ / ₁₆	1/2-14
—	1RLA	2.1	3.2	5 ⁵ / ₃₂	—	3 ²⁹ / ₃₂	3 ³ / ₃₂	1 ¹¹ / ₁₆	1 ⁷ / ₈	3 ³ / ₁₆	1/2-14
—	1RLA	2.1	3.2	—	5 ⁷ / ₈	3 ²⁵ / ₃₂	3 ³ / ₃₂	1 ¹¹ / ₁₆	1 ³ / ₄	3 ¹ / ₁₆	1/2-14
—	2RLA	4.1	6.2	6 ⁷ / ₈	6 ⁷ / ₁₆	4 ²¹ / ₃₂	3 ²¹ / ₃₂	2	1 ¹ / ₂	3 ³ / ₈	1/2-14

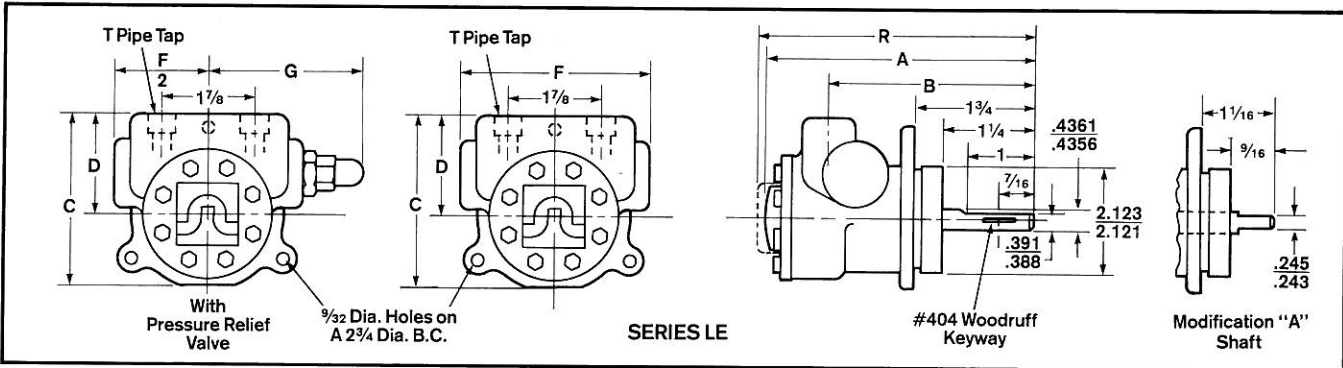
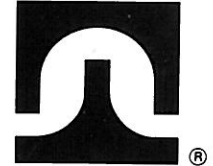


SERIES LE

UL LISTED*

*Except Model 5LE and models equipped with reversing feature.

PUMP MODEL		NOMINAL CAP. GPM		OVERALL LENGTH		PUMP DIMENSIONS					
BI-ROTATIONAL	REVERSING	1200 RPM	1800 RPM	BI-ROT.	REV.	B	C	D	F	G	T
30LE	—	.3	.5	5	—	3 ²⁷ / ₃₂	2 ¹⁵ / ₁₆	1 ¹¹ / ₁₆	3 ⁹ / ₁₆	2 ⁷ / ₈	3/8-18
00LE	00RLE	.6	1.0	4 ¹⁵ / ₁₆	5 ⁹ / ₁₆	3 ¹⁵ / ₃₂	3 ¹⁵ / ₃₂	2	3 ¹³ / ₁₆	2 ⁷ / ₈	1/2-14
—	0RLE	1.2	1.8	4 ¹⁵ / ₁₆	5 ⁹ / ₁₆	3 ¹⁵ / ₃₂	3 ¹⁵ / ₃₂	2	3 ¹³ / ₁₆	2 ⁷ / ₈	1/2-14
—	1RLE	2.1	3.2	5 ⁹ / ₃₂	—	3 ³ / ₈	3 ⁹ / ₁₆	2	3 ¹ / ₂	2 ⁷ / ₈	1/2-14
—	1RLE	2.1	3.2	—	5 ¹ / ₄	3 ¹⁷ / ₃₂	3 ⁵ / ₁₆	2	3 ¹ / ₂	2 ⁷ / ₈	1/2-14
—	2RLE	4.1	6.2	5 ¹⁵ / ₁₆	6 ¹ / ₁₆	4 ⁷ / ₁₆	3 ⁹ / ₈	2	3 ³ / ₄	3 ¹ / ₃₂	1/2-14
—	5LE	9.2	13.8	6 ¹⁷ / ₃₂	—	4 ¹⁵ / ₃₂	6 ⁷ / ₈	3 ¹¹ / ₁₆	5 ⁵ / ₈	3 ³ / ₈	1-11 ¹ / ₂



ORDERING INFORMATION:

To order, select size, basic model, and any other features shown, and combine for model number. For example: order model 30LAK-7 if you want a size 30, bi-rotational LA model with an outboard ball bearing and viton seal.

SIZE	BASIC MODEL		PRESSURE TO 500 PSI	OUTBOARD BALL BEARING	BOTH H&K FEATURES	TANG SHAFT	RELIEF VALVE#	OPTIONAL SEAL (1 ONLY)*		
	BI-ROTATIONAL	REVERSING*						NEOPRENE	VITON	EPR
30	LA	—	H	K	T	—	—	-5	-7	-8
00	LA	RLA	H	K	T	—	—	-5	-7	-8
0	LA	RLA	H	K	T	—	—	-5	-7	-8
1	LA	RLA	H	K	T	—	—	-5	-7	-8
2	LA	RLA	H	K	T	—	—	-5	-7	-8
30	LE	—	H	K	T	-A	V	-5	-7	-8
00	LE	RLE	H	K	T	-A	V	-5	-7	-8
0	LE	RLE	H	K	T	-A	V	-5	-7	-8
1	LE	RLE	H	K	T	-A	V	-5	-7	-8
2	LE	RLE	H	K	T	-A	V	-5	-7	-8
5	LE	—	—	K	—	-A	V	-5	-7	-8

*SPECIFY RIGHT HAND OR LEFT HAND SUCTION PORT FACING SHAFT END OF PUMP.

#SPECIFY CLOCKWISE OR COUNTER-CLOCKWISE FACING SHAFT END OF PUMP.

◆STANDARD SEAL ELASTOMER IS BUNA N.