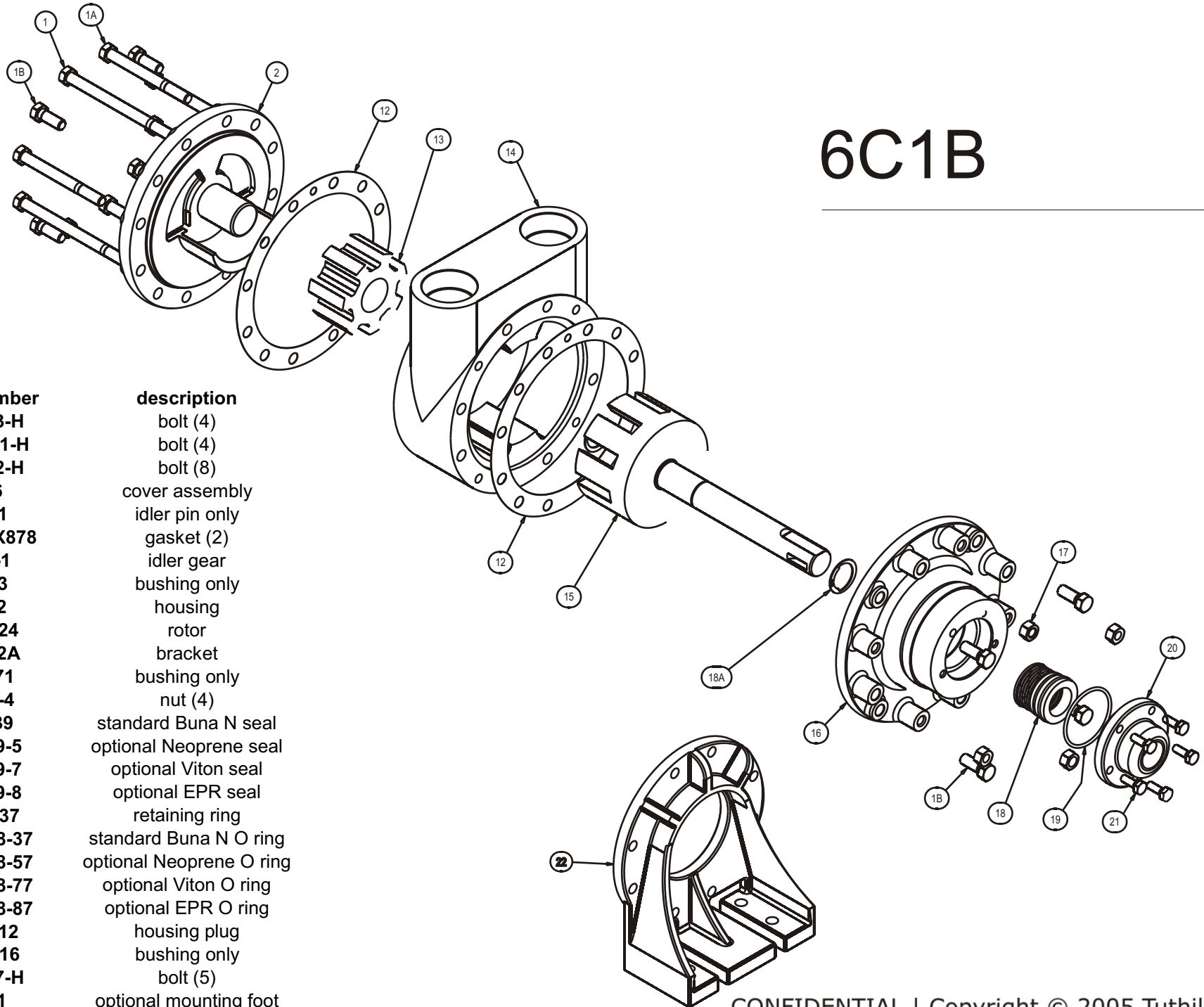




TUTHILL PUMP GROUP - LUBETECH PARTS LIST

6C1B



item	part number	description
1	P102-3-H	bolt (4)
1A	P102-11-H	bolt (4)
1B	P102-2-H	bolt (8)
2	6M6	cover assembly
	6M31	idler pin only
12	5C34-JX878	gasket (2)
13	6M5-1	idler gear
	6M33	bushing only
14	6C22	housing
15	6C1B24	rotor
16	5C1B2A	bracket
	5MR71	bushing only
17	P203-4	nut (4)
18	5C1B9	standard Buna N seal
	5C1B9-5	optional Neoprene seal
	5C1B9-7	optional Viton seal
	5C1B9-8	optional EPR seal
18A	P206-37	retaining ring
19	P701-98-37	standard Buna N O ring
	P701-98-57	optional Neoprene O ring
	P701-98-77	optional Viton O ring
	P701-98-87	optional EPR O ring
20	5C1B12	housing plug
	P612-16	bushing only
21	P100-7-H	bolt (5)
22	5C81	optional mounting foot

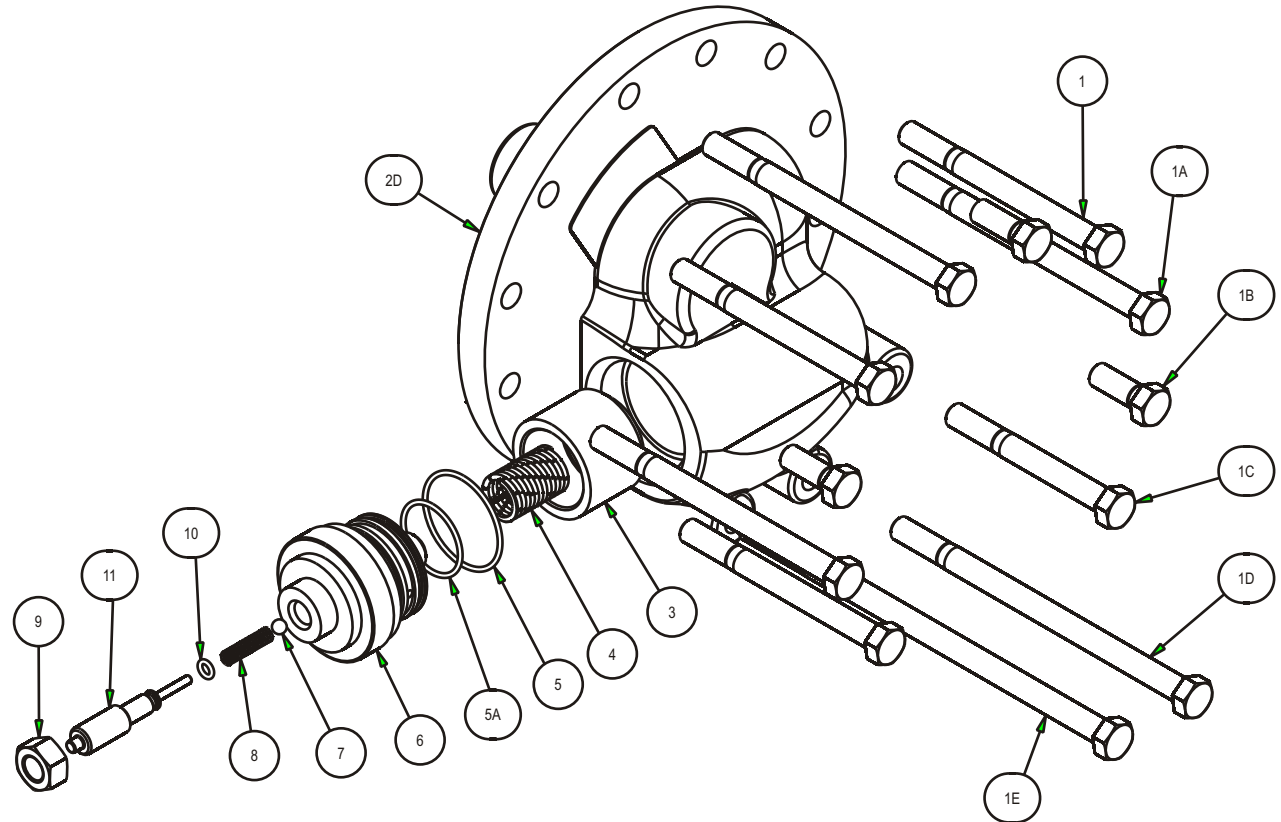


TUTHILL PUMP GROUP - LUBETECH PARTS LIST

item	part number	description
1	P102-13-H	bolt (3)
1A	P102-3-H	boly (3)
1B	P102-2-H	bolt (3)
1C	P102-22-H	bolt (1)
1D	P102-26-H	bolt (1)
1E	P102-28-H	bolt (1)
2D	6CV6-C	clockwise cover assy
	6CV6-CC	counterclockwise assy
	6M31	idler pin only
3	5CV58-X775	plunger
4	3CV63-4	spring 30-225 psi (std)
	3CV63-5	spring 20-150 psi
	3CV63-6	spring 45-250 psi
5	P701-154-37	standard Buna N O ring
	P701-154-57	optional Neoprene O ring
	P701-154-77	optional Viton O ring
	P701-154-87	optional EPR O ring
5A	P701-112-37	standard Buna N O ring
	P701-112-57	optional Neoprene O ring
	P701-112-77	optional Viton O ring
	P701-112-87	optional EPR O ring
6	5CV56	plug
7	P350-5	ball
8	3CV63	pilot spring
9	P203-15	nut
10	P701-10-37	standard Buna N O ring
	P701-10-57	optional Neoprene O ring
	P701-10-77	optional Viton O ring
	P701-10-87	optional EPR O ring
11	3CV527	adjusting screw

6C1B

Relief Valve Option





6C1B

Reversing Option

item	part number	description
2A	5R35	cover
2B	5R80	spring
2C	P350-4	ball
2D	6R6	carrier
	6M31	idler pin only

