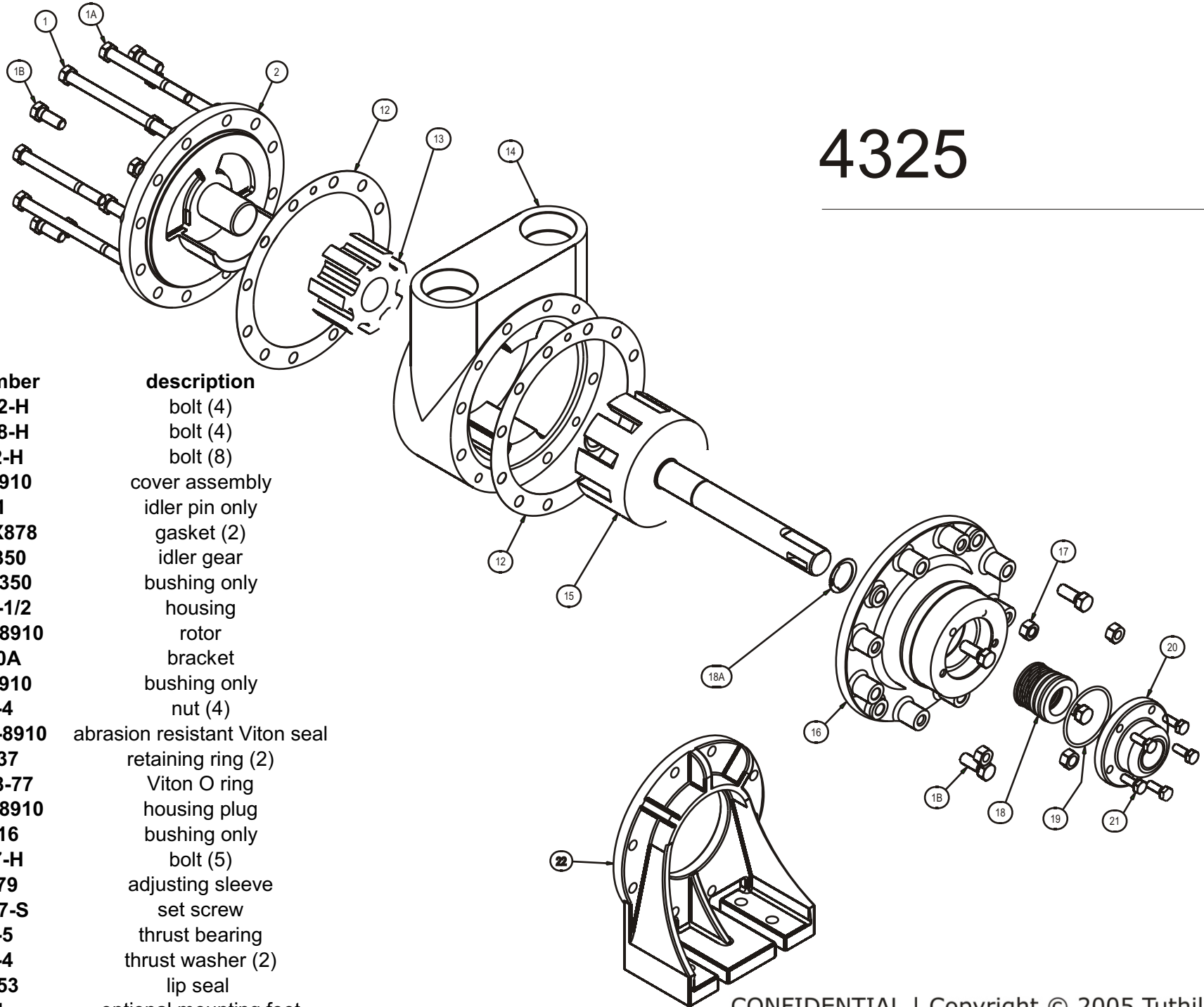




TUTHILL PUMP GROUP - LUBETECH PARTS LIST

4325



item	part number	description
1	P102-12-H	bolt (4)
1A	P102-18-H	bolt (4)
1B	P102-2-H	bolt (8)
2	5M35-8910	cover assembly
	5M31	idler pin only
12	5C34-JX878	gasket (2)
13	5M5-8350	idler gear
	5M33-8350	bushing only
14	5C22-1-1/2	housing
15	5C1B24-8910	rotor
16	5MB20A	bracket
	5M71-8910	bushing only
17	P203-4	nut (4)
18	5C1B9-7-8910	abrasion resistant Viton seal
18A	P206-37	retaining ring (2)
19	P701-98-77	Viton O ring
20	5C1B12-8910	housing plug
	P612-16	bushing only
21	P100-7-H	bolt (5)
22	5C1B79	adjusting sleeve
23	P103-57-S	set screw
24	P651-5	thrust bearing
25	P804-4	thrust washer (2)
26	P941-53	lip seal
27	5C81	optional mounting foot



TUTHILL PUMP GROUP - LUBETECH PARTS LIST

item	part number	description
1	P102-11-H	bolt (3)
1A	P102-18-H	boly (3)
1B	P102-2-H	bolt (3)
1C	P102-22-H	bolt (1)
1D	P102-27-H	bolt (1)
1E	P102-34-H	bolt (1)
2D	5CV6-C	clockwise cover assy
	5CV6-C	counterclockwise assy
	5M31	idler pin only
3	5CV58-X775	plunger
4	3CV63-4	spring 30-225 psi (std)
	3CV63-5	spring 20-150 psi
	3CV63-6	spring 45-250 psi
5	P701-154-77	Viton O ring
5A	P701-112-77	Viton O ring
6	5CV56	plug
7	P350-5	ball
8	3CV63	pilot spring
9	P203-15	nut
10	P701-10-77	optional Viton O ring
11	3CV527	adjusting screw

4325

Relief Valve Option

