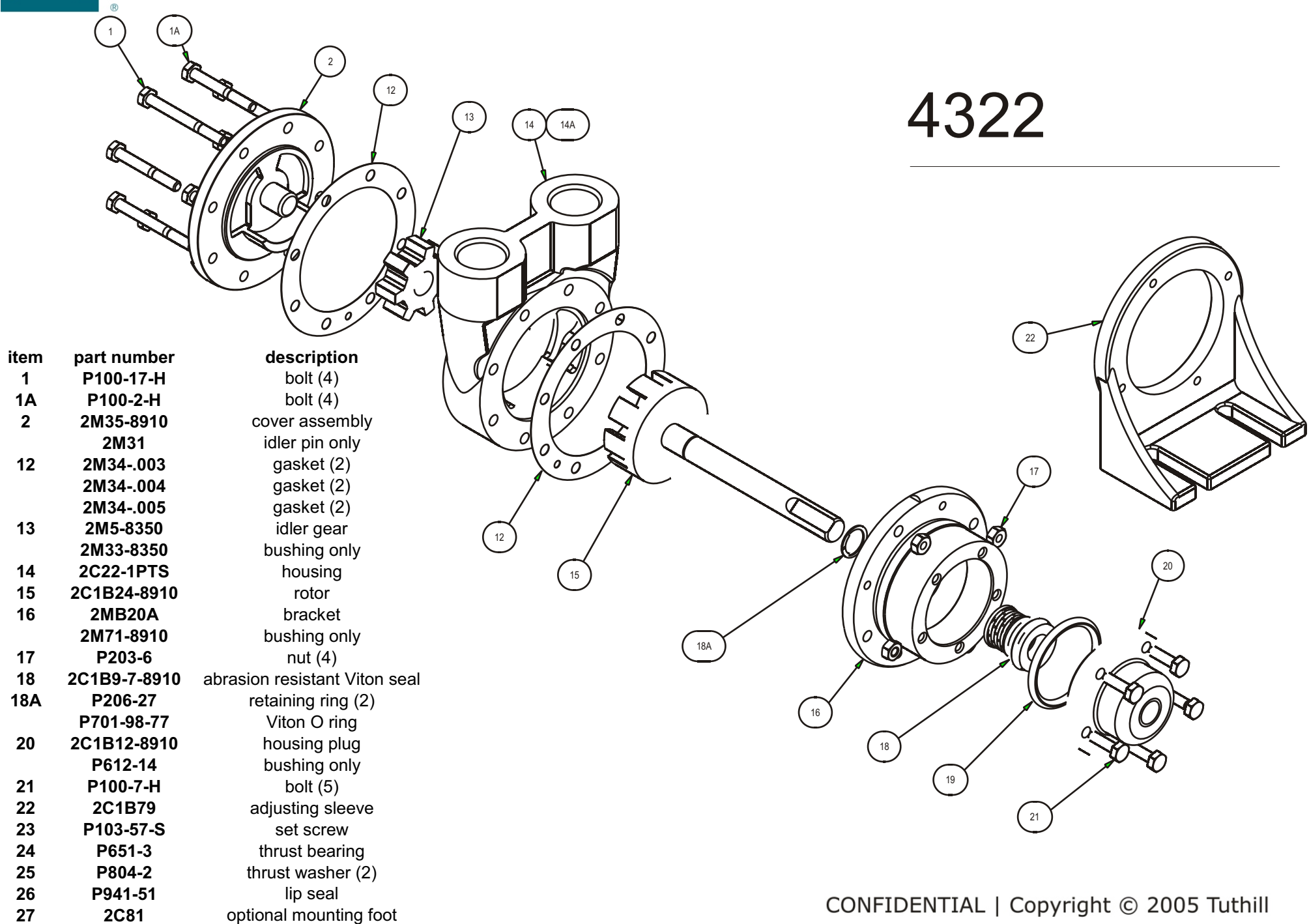




# TUTHILL PUMP GROUP - LUBETECH PARTS LIST

## 4322



item	part number	description
1	P100-17-H	bolt (4)
1A	P100-2-H	bolt (4)
2	2M35-8910	cover assembly
	2M31	idler pin only
12	2M34-.003	gasket (2)
	2M34-.004	gasket (2)
	2M34-.005	gasket (2)
13	2M5-8350	idler gear
	2M33-8350	bushing only
14	2C22-1PTS	housing
15	2C1B24-8910	rotor
16	2MB20A	bracket
	2M71-8910	bushing only
17	P203-6	nut (4)
18	2C1B9-7-8910	abrasion resistant Viton seal
18A	P206-27	retaining ring (2)
	P701-98-77	Viton O ring
20	2C1B12-8910	housing plug
	P612-14	bushing only
21	P100-7-H	bolt (5)
22	2C1B79	adjusting sleeve
23	P103-57-S	set screw
24	P651-3	thrust bearing
25	P804-2	thrust washer (2)
26	P941-51	lip seal
27	2C81	optional mounting foot



# TUTHILL PUMP GROUP - LUBETECH PARTS LIST

item	part number	description
1	P100-17-H	bolt (2)
1A	P100-2-H	bolt (2)
1B	P100-12-H	bolt (2)
1C	P100-26-H	bolt (1)
	P802-5	lockwasher for above (7)
1D	P105-87	bolt
2D	2CV6-C	clockwise cover assy
	2M31	idler pin only
3	2CV58-A	plunger
4	2CV63-2	spring 10-200 psi
5	P701-129-77	Viton O ring
5A	P701-92-77	Viton O ring
6	2CV56	plug
7	P350-5	ball
8	2CV63-B	pilot spring
9	P203-15	nut
10	P701-10-77	Viton O ring
11	2CV527-A	adjusting screw

## 4322

### Relief Valve Option

