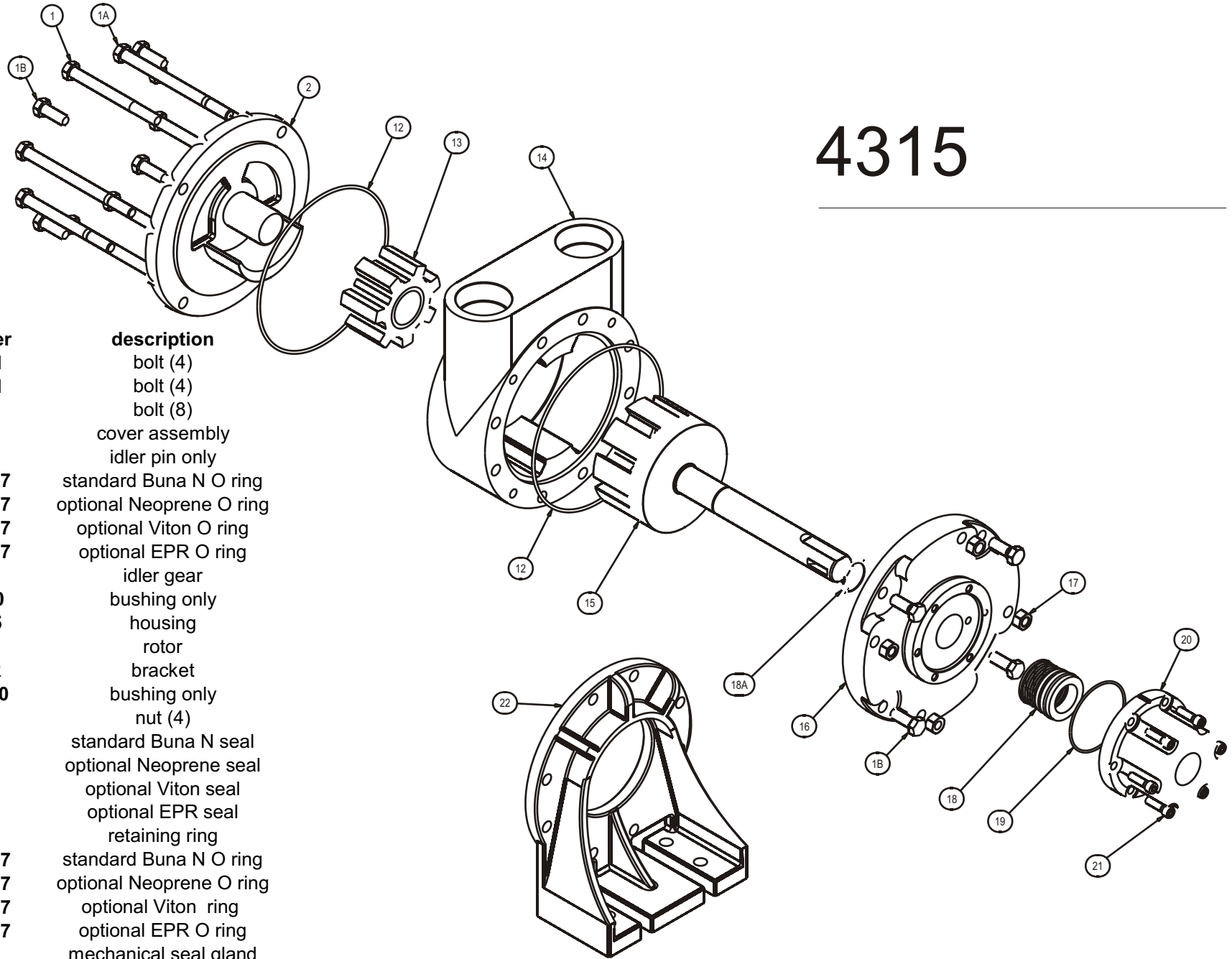




# TUTHILL PUMP GROUP - LUBETECH PARTS LIST

## 4315



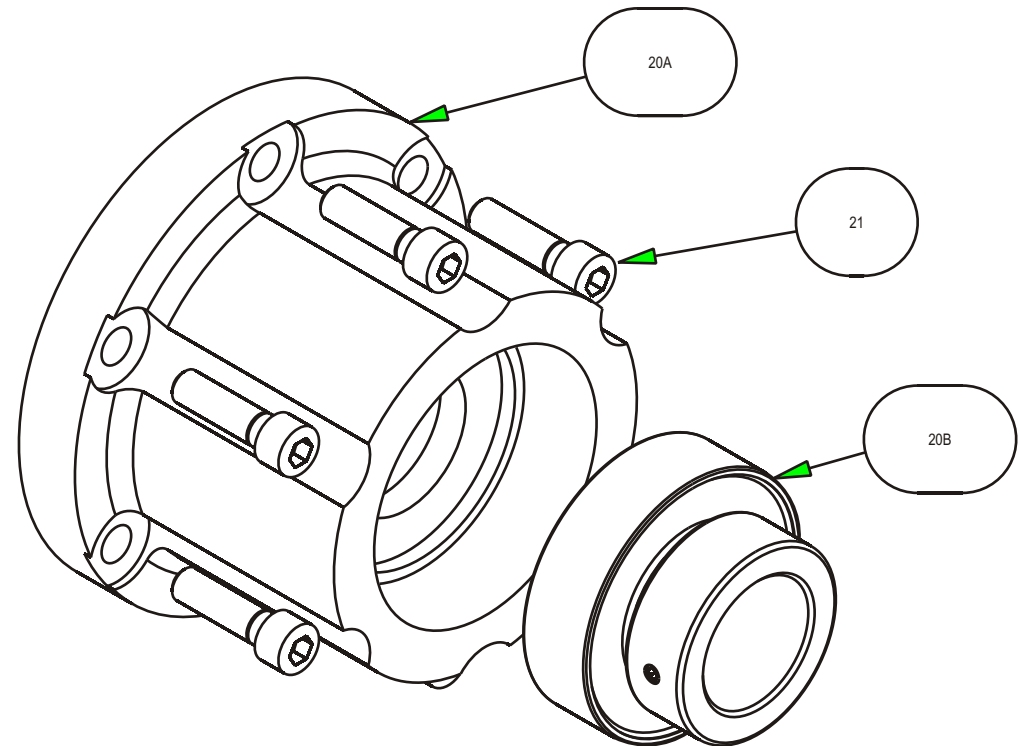
item	part number	description
1	P102-12-H	bolt (4)
1A	P102-24-H	bolt (4)
1B	P102-2-H	bolt (8)
2	5MU6 5M31	cover assembly idler pin only
12	P701-224-37 P701-224-57 P701-224-77 P701-224-87	standard Buna N O ring optional Neoprene O ring optional Viton O ring optional EPR O ring
13	5M5-8350 5M33-8350	idler gear bushing only
14	5CU22-1.5	housing
15	5C2B24	rotor
16	5C2F2-CR 5CF71-8350	bracket bushing only
17	P203-4	nut (4)
18	5C1B9 5C1B9-5 5C1B9-7 5C1B9-8	standard Buna N seal optional Neoprene seal optional Viton seal optional EPR seal
18A	P206-37	retaining ring
19	P701-223-37 P701-223-57 P701-223-77 P701-223-87	standard Buna N O ring optional Neoprene O ring optional Viton ring optional EPR O ring
20	5C2B68 P612-16	mechanical seal gland bushing only
21	P105-115	bolt (6)
22	5C81	optional mounting foot



# 4315

## Ball Bearing Option

item	part number	description
20A	5C2BN68	mechanical seal gland
20B	P602-19	ball bearing
21	P105-115	bolt (5)





# TUTHILL PUMP GROUP - LUBETECH PARTS LIST

item	part number	description
1	P102-12-H	bolt (3)
1A	P102-24-H	bolt (3)
1B	P102-2-H	bolt (3)
1C	P102-22-H	bolt (1)
1D	P102-6-H	bolt (1)
1E	P102-26-H	bolt (1)
2D	5C2V6-C	clockwise cover assy
	5C2V6-CC	counterclockwise assy
	5M31	idler pin only
3	5CV58-X775	plunger
4	3CV63-4	spring 30-225 psi (std)
	3CV63-5	spring 20-150 psi
	3CV63-6	spring 45-250 psi
5	P701-154-37	standard Buna N O ring
	P701-154-57	optional Neoprene O ring
	P701-154-77	optional Viton O ring
	P701-154-87	optional EPR O ring
5A	P701-112-37	standard Buna N O ring
	P701-112-57	optional Neoprene O ring
	P701-112-77	optional Viton O ring
	P701-112-87	optional EPR O ring
6	5CV56	plug
7	P350-5	ball
8	3CV63	pilot spring
9	P203-15	nut
10	P701-10-37	standard Buna N O ring
	P701-10-57	optional Neoprene O ring
	P701-10-77	optional Viton O ring
	P701-10-87	optional EPR O ring
11	3CV527	adjusting screw

## 4315

### Relief Valve Option

