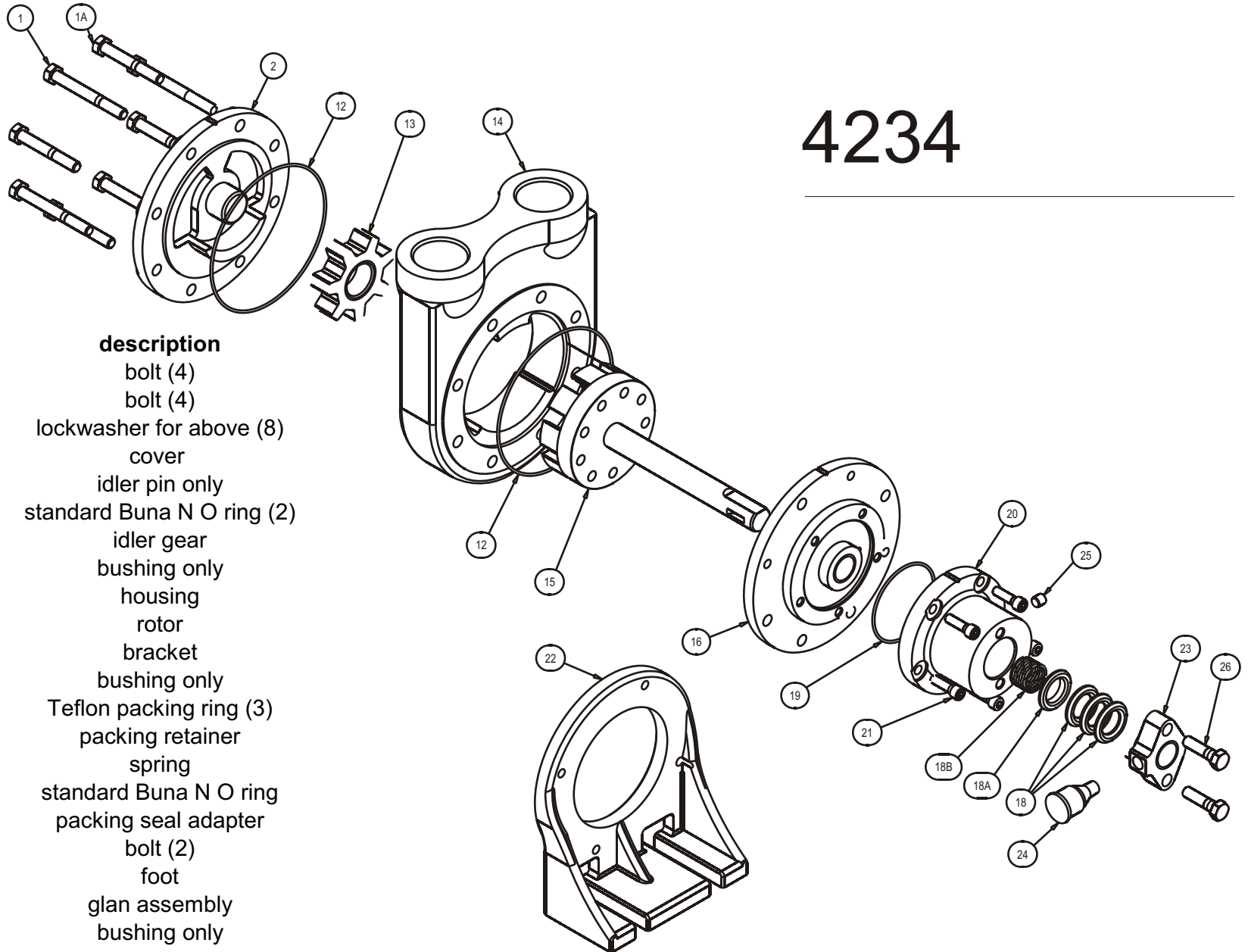




TUTHILL PUMP GROUP - LUBETECH PARTS LIST

4234



| item | part number | description |
|------|-------------|----------------------------|
| 1 | P101-13-H | bolt (4) |
| 1A | P101-4-H | bolt (4) |
| | P802-4 | lockwasher for above (8) |
| 2 | 4MU35-8910 | cover |
| | 4M31 | idler pin only |
| 12 | P701-221-37 | standard Buna N O ring (2) |
| 13 | 4M5-8350 | idler gear |
| | 4M33-8350 | bushing only |
| 14 | 4CU22-1.5 | housing |
| 15 | 4CG24-8910 | rotor |
| 16 | 3C2F2-8910 | bracket |
| | 3CF71-8910 | bushing only |
| 18 | 3CG94-6 | Teflon packing ring (3) |
| 18A | 3CG92 | packing retainer |
| 18B | 3CN73-OS | spring |
| 19 | P701-222-37 | standard Buna N O ring |
| 20 | 3C2G68 | packing seal adapter |
| 21 | P105-115 | bolt (2) |
| 22 | 3C81 | foot |
| 23 | 3CG7 | glan assembly |
| | 3CG70 | bushing only |
| 24 | P300-1 | grease cup |
| 25 | P400-18 | pipe plug |
| 26 | P101-8-H | bolt (2) |
| | P802-4 | lockwasher for above (2) |



TUTHILL PUMP GROUP - LUBETECH PARTS LIST

| item | part number | description |
|------|----------------|-------------------------|
| 1 | P101-13-H | bolt (3) |
| 1A | P101-15-H | bolt (2) |
| 1B | P101-4-H | bolt (2) |
| 1C | P101-22-H | bolt |
| 2D | 4C2V35-C-8910 | clockwise cover |
| | 4C2V35-CC-8910 | counterclockwise cover |
| | 4M31 | idler pin only |
| 3 | 3CV58-X775 | plunger |
| 4 | 3CV63-4 | spring 30-225 psi (std) |
| | 3CV63-5 | spring 20-150 psi |
| | 3CV63-6 | spring 45-250 psi |
| 5 | P701-129-37 | standard Buna N O ring |
| 5A | P701-127-37 | standard Buna N O ring |
| 6 | 3CV56 | plug |
| 7 | P350-5 | ball |
| 8 | 3CV63 | pilot spring |
| 9 | P203-15 | nut |
| 10 | P701-10-37 | standard Buna N O ring |
| 11 | 3CV527 | adjusting screw |

4234

Relief Valve Option

