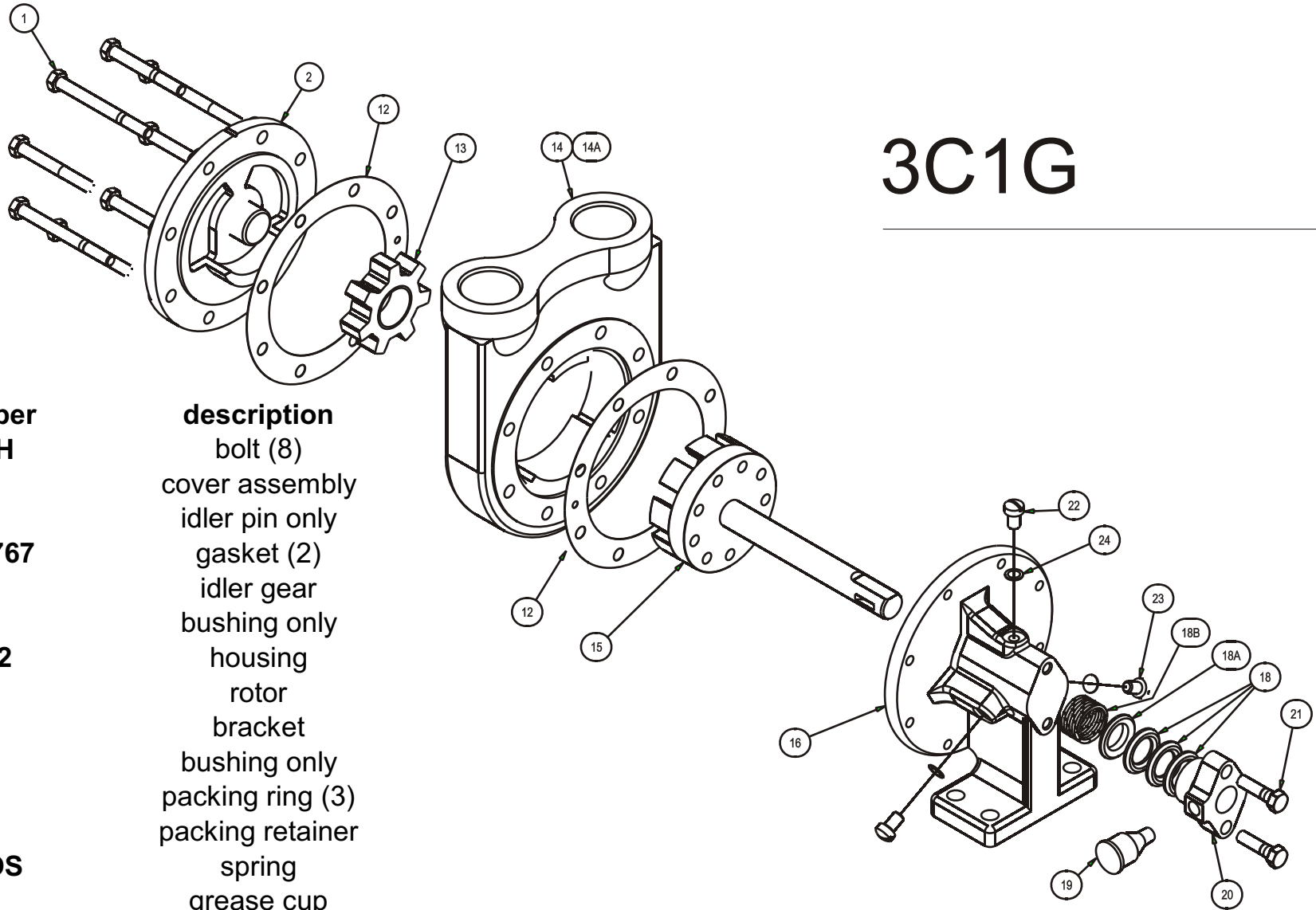




# TUTHILL PUMP GROUP - LUBETECH PARTS LIST

## 3C1G



item	part number	description
1	P101-1-H	bolt (8)
2	3M6	cover assembly
	3M31	idler pin only
12	3M34-JX767	gasket (2)
13	3M5-1	idler gear
	3M33	bushing only
14	3C22-1.2	housing
15	3CG24	rotor
16	3CG2	bracket
	3MR71	bushing only
18	3CG94	packing ring (3)
18A	3CG92	packing retainer
18B	3CN73-OS	spring
19	P301-1	grease cup
20	3CG7	gland assembly
	3CG70	bushing only
21	P101-8-H	bolt (2)
	P802-4	lockwasher for above (2)
22	2MB517-A	short vent plug
23	2CGB517	long vent plug (2)
24	2MB64	copper gasket (3)

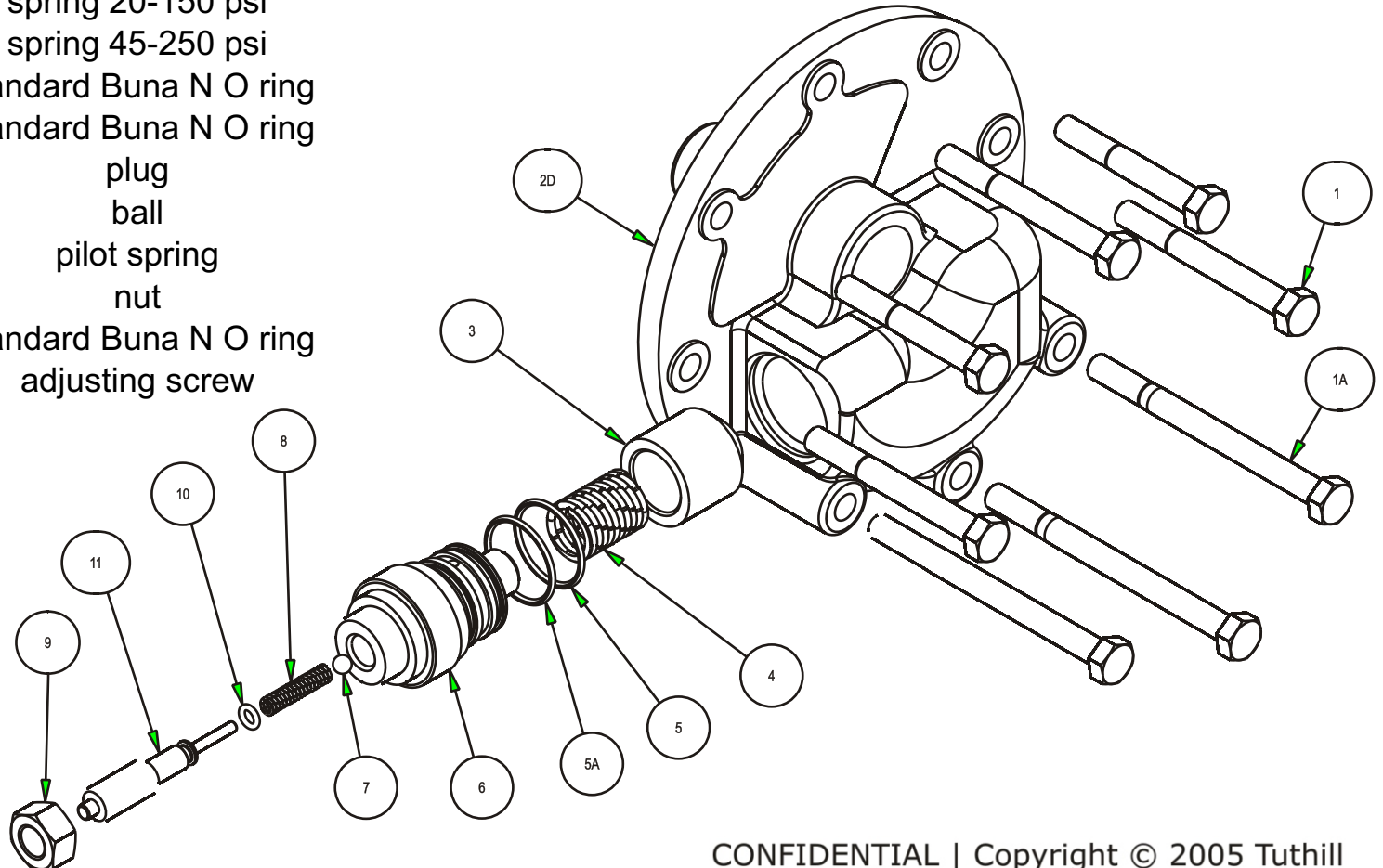


# TUTHILL PUMP GROUP - LUBETECH PARTS LIST

item	part number	description
1	P101-1-H	bolt (5)
1A	P101-20-H	bolt (3)
2D	3CV6-C	clockwise cover assy
	3CV6-CC	counterclockwise assy
	3M31	idler pin only
3	3CV58-X775	plunger
4	3CV63-4	spring 30-225 psi (std)
	3CV63-5	spring 20-150 psi
	3CV63-6	spring 45-250 psi
5	P701-129-37	standard Buna N O ring
5A	P701-127-37	standard Buna N O ring
6	3CV56	plug
7	P350-5	ball
8	3CV63	pilot spring
9	P203-15	nut
10	P701-10-37	standard Buna N O ring
11	3CV527	adjusting screw

## 3C1G

### Relief Valve Option





# 3C1G

## Reversing Option

item	part number	description
2A	3R35	cover
2B	3R80-A	spring
2C	3R6	carrier assembly
	3R31	idler pin only
14A	3RC22-1-1/4	housing (housing not shown)

