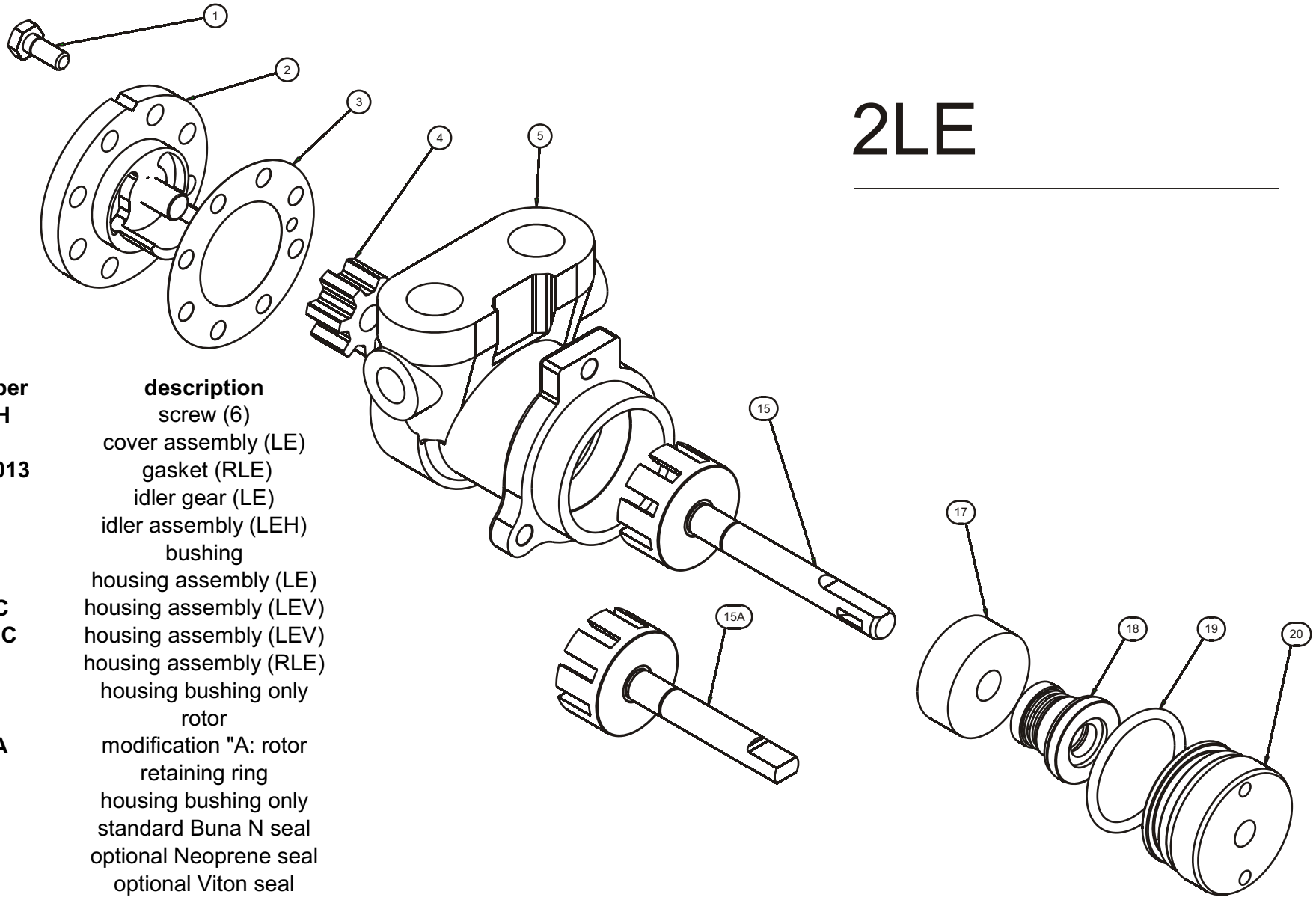




TUTHILL PUMP GROUP - LUBETECH PARTS LIST

2LE



| item | part number | description |
|------|-------------|--|
| 1 | P101-3-H | screw (6) |
| 2 | 2L6 | cover assembly (LE) |
| 3 | 2RFD34-.013 | gasket (RLE) |
| 4 | 2L32-1 | idler gear (LE) |
| | 2L5 | idler assembly (LEH) |
| | 2L33 | bushing |
| 5 | 2LE2 | housing assembly (LE) |
| | 2LEV2-C | housing assembly (LEV) |
| | 2LEV2-CC | housing assembly (LEV) |
| | 2RLE2 | housing assembly (RLE) |
| | 1MR71 | housing bushing only |
| 15 | 2LE24 | rotor |
| 15a | 2LE24-A | modification "A": rotor retaining ring |
| 17 | 1MR71 | housing bushing only |
| 18 | 1LA9 | standard Buna N seal |
| | 1LA9-5 | optional Neoprene seal |
| | 1LA9-7 | optional Viton seal |
| | 1LA9-8 | optional EPR seal |
| 19 | P701-34-37 | standard Buna N O ring |
| | P701-34-57 | optional Neoprene O ring |
| | P701-34-77 | optional Viton O ring |
| | P701-34-87 | optional EPR O ring |
| 20 | 1LA11 | housing plug (LE) |

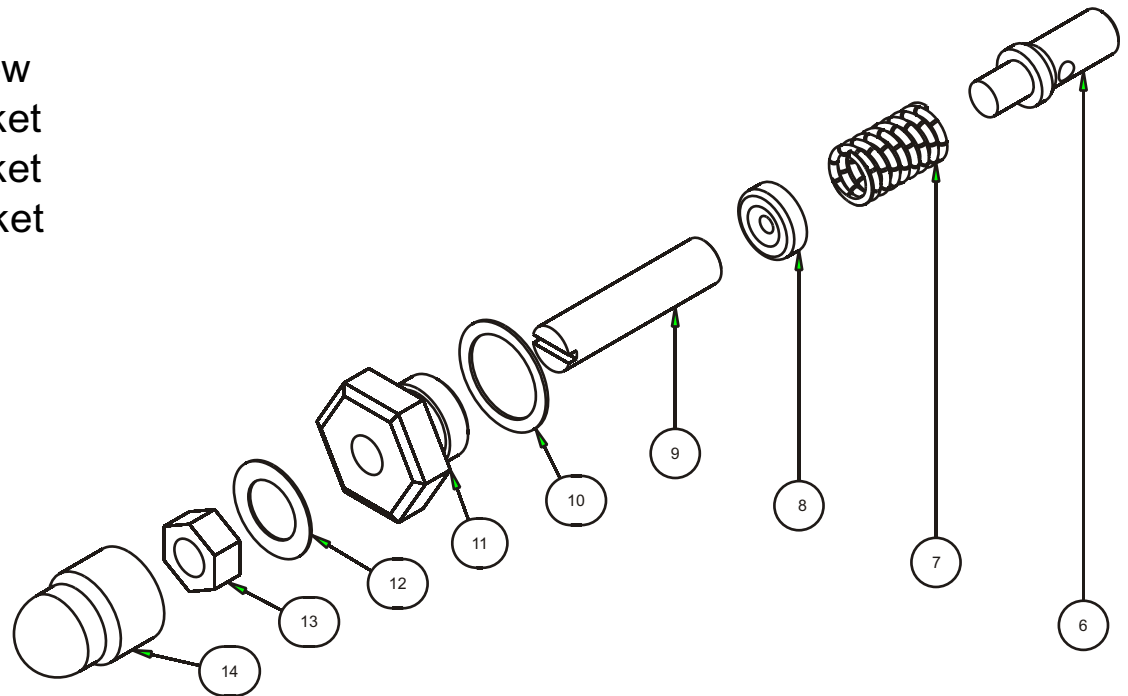


TUTHILL PUMP GROUP - LUBETECH PARTS LIST

| item | part number | description |
|------|-------------|---------------------------|
| 6 | 0LWV58-X201 | plunger |
| 7 | 0LWV63 | standard spring (55-120) |
| | 0C62-X201 | optional spring (25-34) |
| | 0C62-X299 | optional spring (35-54) |
| | 0LWVH63 | optional spring (121-169) |
| | 0LPV63 | optional spring (170-374) |
| | 0LV63X | optional spring (375-500) |
| 8 | 30EN92 | retainer |
| 9 | P103-11 | adjusting screw |
| 10 | 30F64-X201 | valve cap gasket |
| 11 | 0LWV56 | valve cap gasket |
| 12 | 30LE64-A | cap cover gasket |
| 13 | 30LE528 | nut |
| 14 | 30LE56 | acorn nut |

2LE

Relief Valve Option

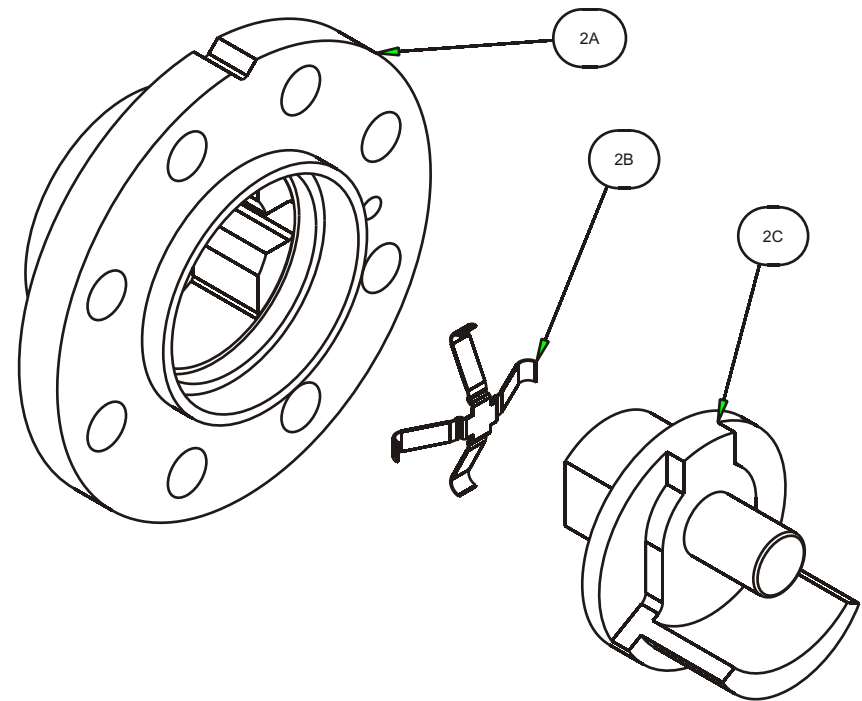




2LE

Reversing Option

| item | part number | description |
|------|-------------|------------------------|
| 2a | 2RL35 | cover (RLE) |
| 2b | 1R80-A | spring (RLE) |
| 2c | 2RL6 | carrier assembly (RLE) |
| | 2L31 | pin |





2LE

Ball Bearing Option

| item | part number | description |
|------|-------------|--------------------|
| 20a | 1LAK37 | housing plug (LEK) |
| 20b | 0LK511-E | ball bearing (LEK) |

