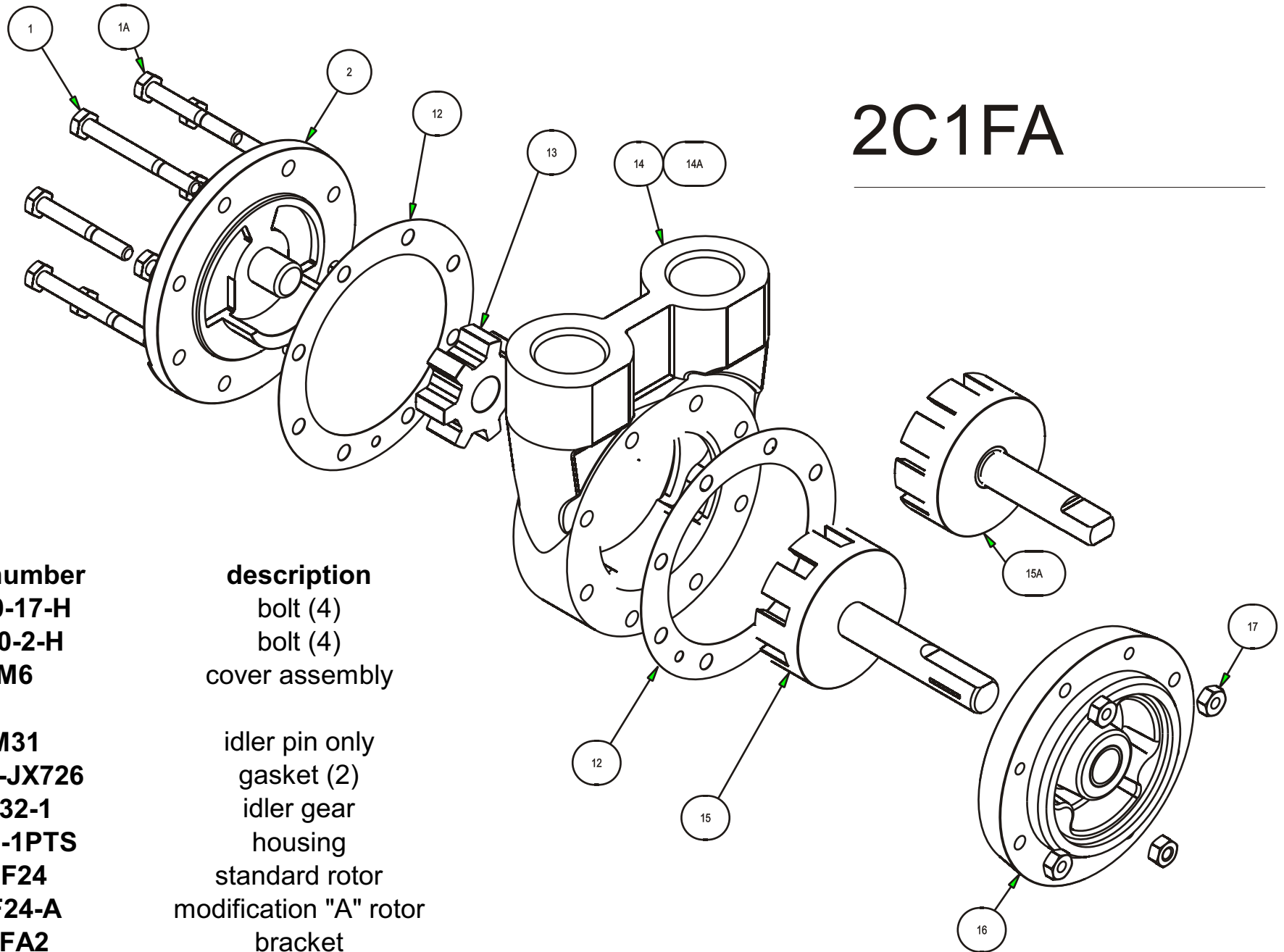




# TUTHILL PUMP GROUP - LUBETECH PARTS LIST

## 2C1FA



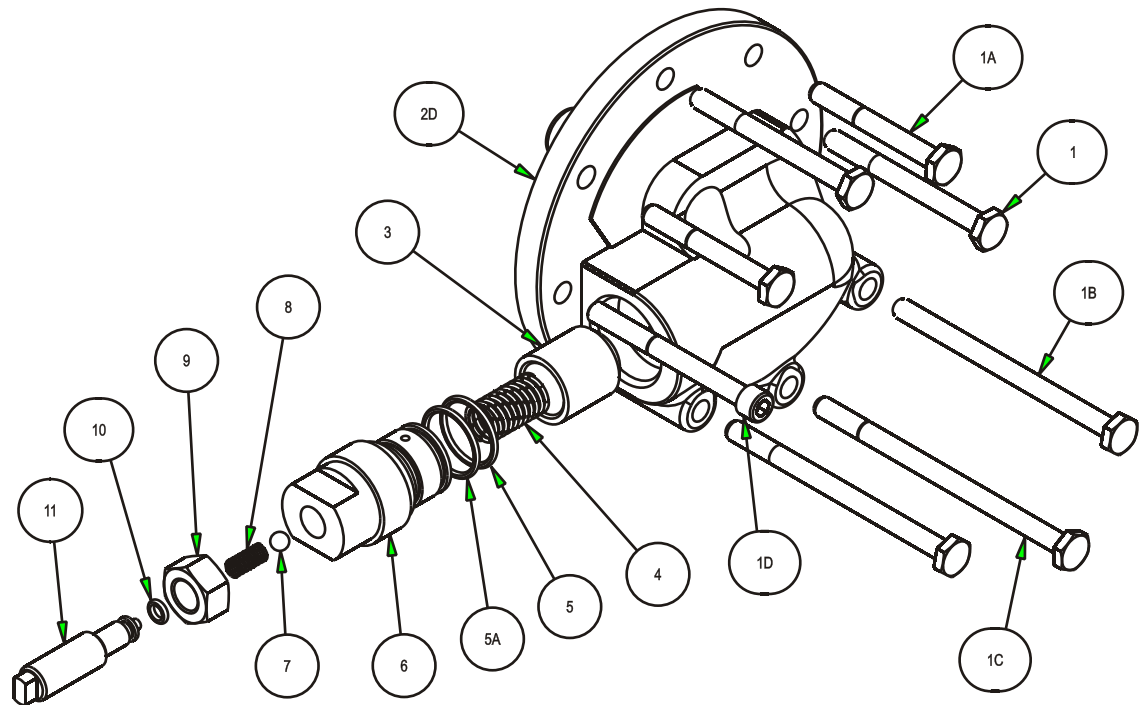
item	part number	description
1	P100-17-H	bolt (4)
1A	P100-2-H	bolt (4)
2	2M6	cover assembly
	2M31	idler pin only
12	2M34-JX726	gasket (2)
13	2M32-1	idler gear
14	2C22-1PTS	housing
15	2CF24	standard rotor
15A	2CF24-A	modification "A" rotor
16	2CFA2	bracket
	2MR71	bushing only
17	P203-6	nut (4)



## 2C1FA

### Relief Valve Option

item	part number	description
1	P100-17-H	bolt (2)
1A	P100-2-H	bolt (2)
1B	P100-12-H	bolt (2)
1C	P100-26-H	bolt (1)
1D	P105-88	bolt (1)
2D	2CV6-C	clockwise cover assy
	2M31	idler pin only
3	2CV58-A	plunger
4	2CV63-2	spring 10-200 psi
5	P701-129-37	standard Buna N O ring
	P701-129-77	optional Viton O ring
5A	P701-92-37	standard Buna N O ring
	P701-92-77	optional Viton O ring
6	2CV56	plug
7	P350-5	ball
8	2CV63-B	pilot spring
9	P203-15	nut
10	P701-10-37	standard Buna N O ring
	P701-10-77	optional Viton O ring
11	2CV527-A	adjusting screw

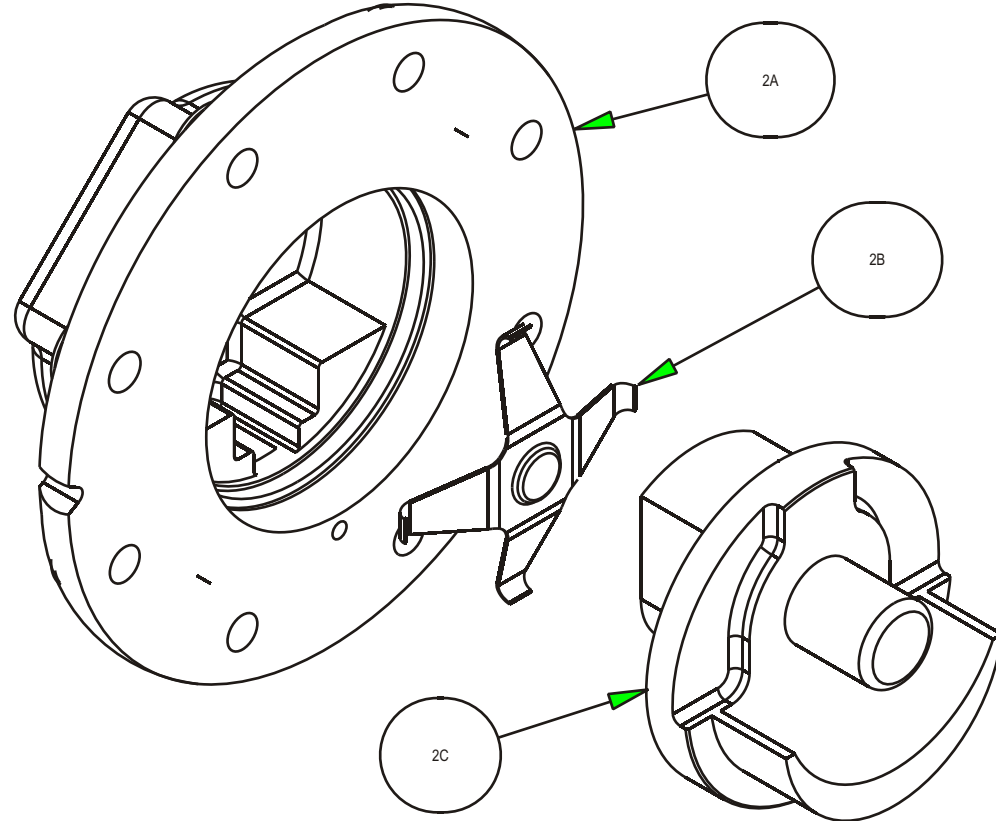




## 2C1FA

### Reversing Option

item	part number	description
2A	2R35	cover
2B	2R80-A	spring
2C	2R6	carrier assembly
	2R31	idler pin only
14A	2RC22-1PTS	housing (housing not shown)





# 2C1FA

## Ball Bearing Option

item	part number	description
16A	2CFAN2	bracket
17	P203-6	nut (4)
19	2CF74	gasket
20	2CEN68-7528	bearing cap
20A	P602-17	ball bearing
21	P100-1-H	bolt (3)

