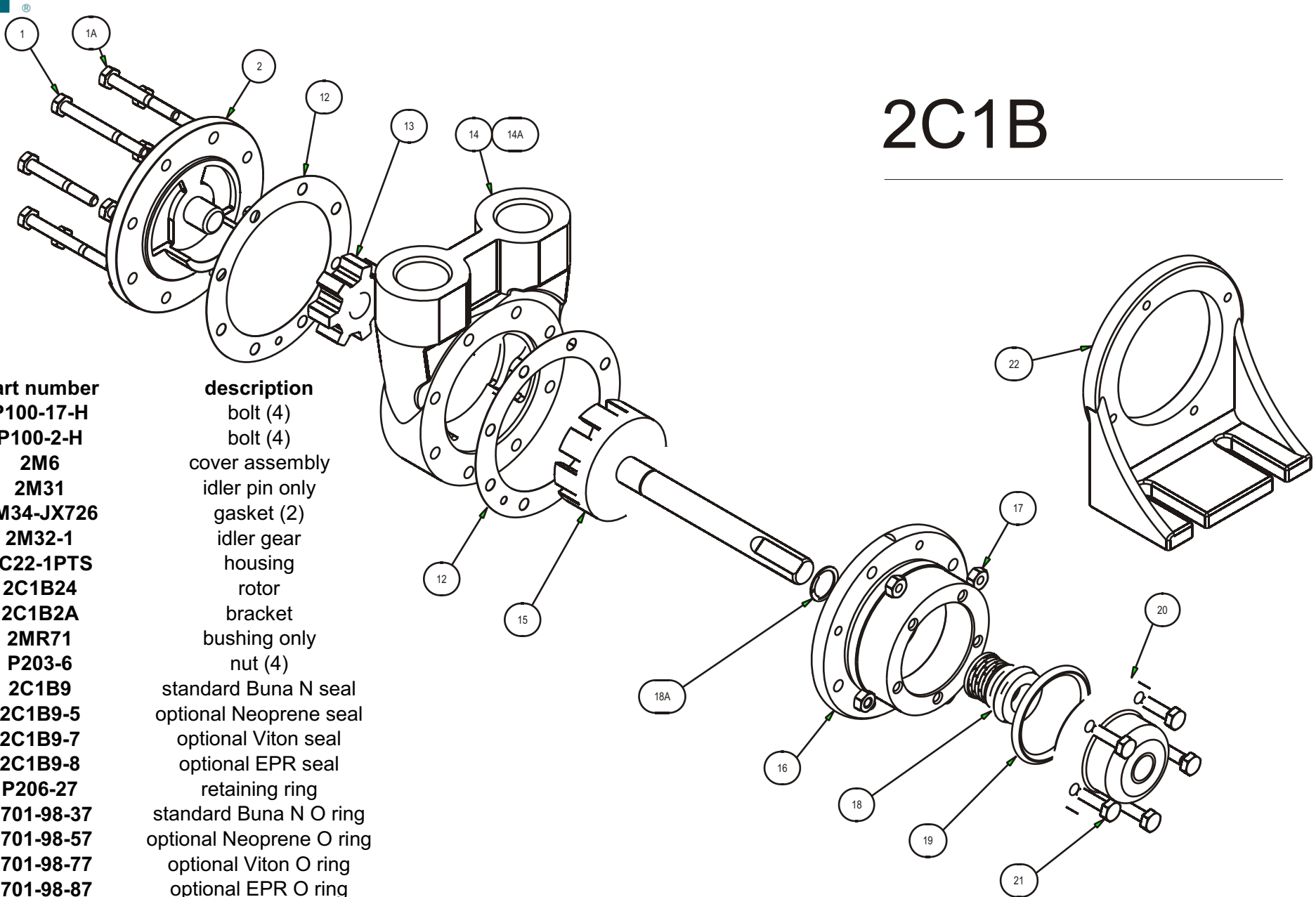




TUTHILL PUMP GROUP - LUBETECH PARTS LIST

2C1B

item	part number	description
1	P100-17-H	bolt (4)
1A	P100-2-H	bolt (4)
2	2M6	cover assembly
	2M31	idler pin only
12	2M34-JX726	gasket (2)
13	2M32-1	idler gear
14	2C22-1PTS	housing
15	2C1B24	rotor
16	2C1B2A	bracket
	2MR71	bushing only
17	P203-6	nut (4)
18	2C1B9	standard Buna N seal
	2C1B9-5	optional Neoprene seal
	2C1B9-7	optional Viton seal
	2C1B9-8	optional EPR seal
18A	P206-27	retaining ring
19	P701-98-37	standard Buna N O ring
	P701-98-57	optional Neoprene O ring
	P701-98-77	optional Viton O ring
	P701-98-87	optional EPR O ring
20	2C1B12	housing plug
	P612-14	bushing only
21	P100-7-H	bolt (5)
22	2C81	optional mounting foot



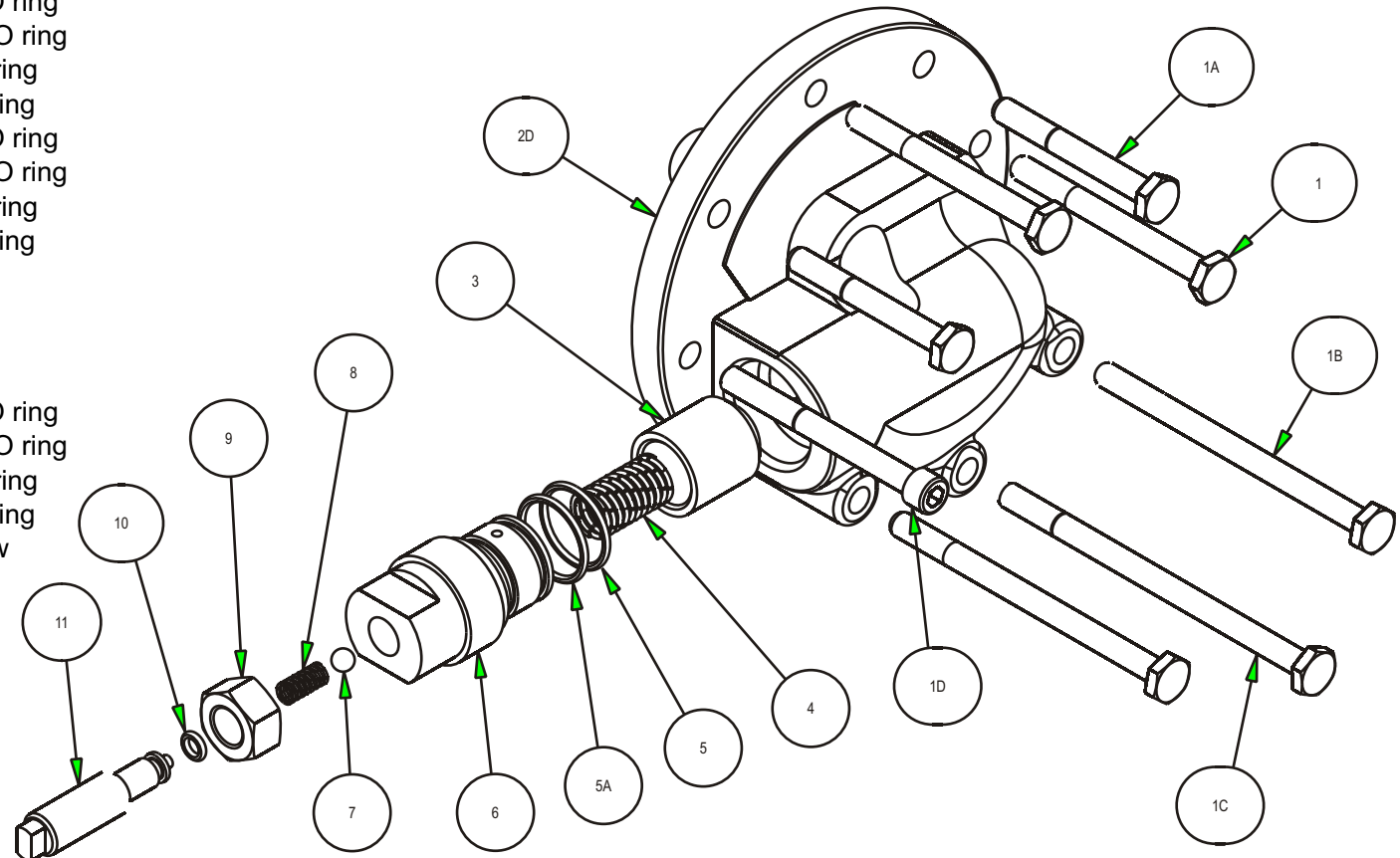


TUTHILL PUMP GROUP - LUBETECH PARTS LIST

item	part number	description
1	P100-17-H	bolt (2)
1A	P100-2-H	bolt (2)
1B	P100-12-H	bolt (2)
1C	P100-26-H	bolt (1)
	P802-5	lockwasher for above (7)
1D	P105-87	bolt
2D	2CV6-C	clockwise cover assy
	2M31	idler pin only
3	2CV58-A	plunger
4	2CV63-2	spring 10-200 psi
5	P701-129-37	standard Buna N O ring
	P701-129-57	optional Neoprene O ring
	P701-129-77	optional Viton O ring
	P701-129-87	optional EPR O ring
5A	P701-92-37	standard Buna N O ring
	P701-92-57	optional Neoprene O ring
	P701-92-77	optional Viton O ring
	P701-92-87	optional EPR O ring
6	2CV56	plug
7	P350-5	ball
8	2CV63-B	pilot spring
9	P203-15	nut
10	P701-10-37	standard Buna N O ring
	P701-10-57	optional Neoprene O ring
	P701-10-77	optional Viton O ring
	P701-10-87	optional EPR O ring
11	2CV527-A	adjusting screw

2C1B

Relief Valve Option





2C1B

Reversing Option

item	part number	description
2A	2R35	cover
2B	2R80-A	spring
2C	2R6	carrier assembly
	2R31	idler pin only
14A	2RC22-1PTS	housing (housing not shown)

