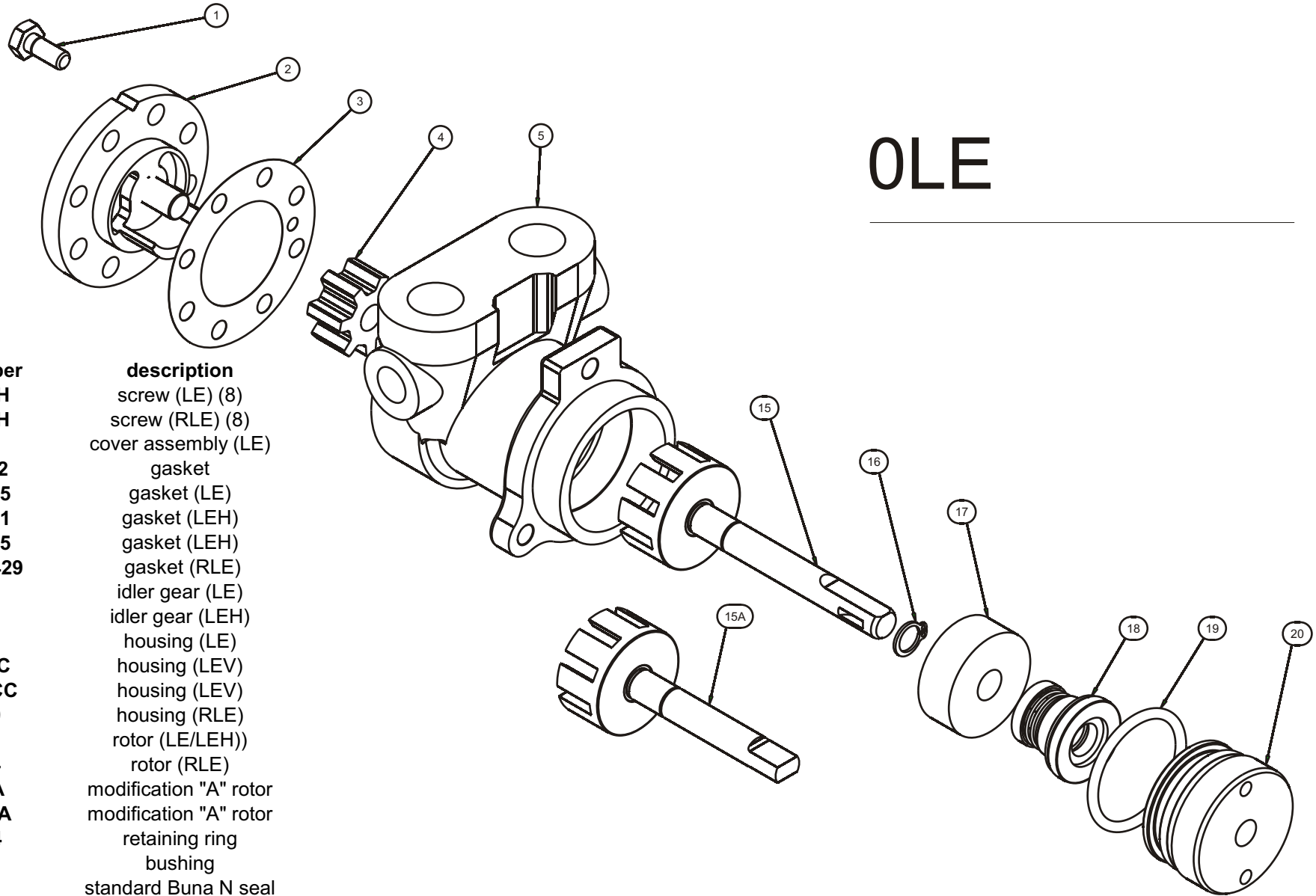




TUTHILL PUMP GROUP - LUBETECH PARTS LIST



OLE

item	part number	description
1	P100-21-H P105-77-H	screw (LE) (8) screw (RLE) (8)
2	0L6	cover assembly (LE)
3	0B34-.002 0B34-.005 0B34-.001 0B34-.005 0B34-MX429	gasket gasket (LE) gasket (LEH) gasket (LEH) gasket (RLE)
4	0B32-1 0B32	idler gear (LE) idler gear (LEH)
5	0LE20 0LEV20-C 0LEV20-CC 0RLE20	housing (LE) housing (LEV) housing (LEV) housing (RLE)
15	0LE24 0RLE24	rotor (LE/LEH) rotor (RLE)
15a	0LE24-A 0RLE24-A	modification "A" rotor modification "A" rotor
16	P206-34	retaining ring
17	1LA71	bushing
18	1LA9 1LA9-5 1LA9-7 1LA9-8	standard Buna N seal optional Neoprene seal optional Viton seal optional EPR seal
19	P701-34-37 P701-34-57 P701-34-77 P701-34-87	standard Buna N O ring optional Neoprene O ring optional Viton O ring optional EPR O ring
20	1LA11	housing plug (LE)

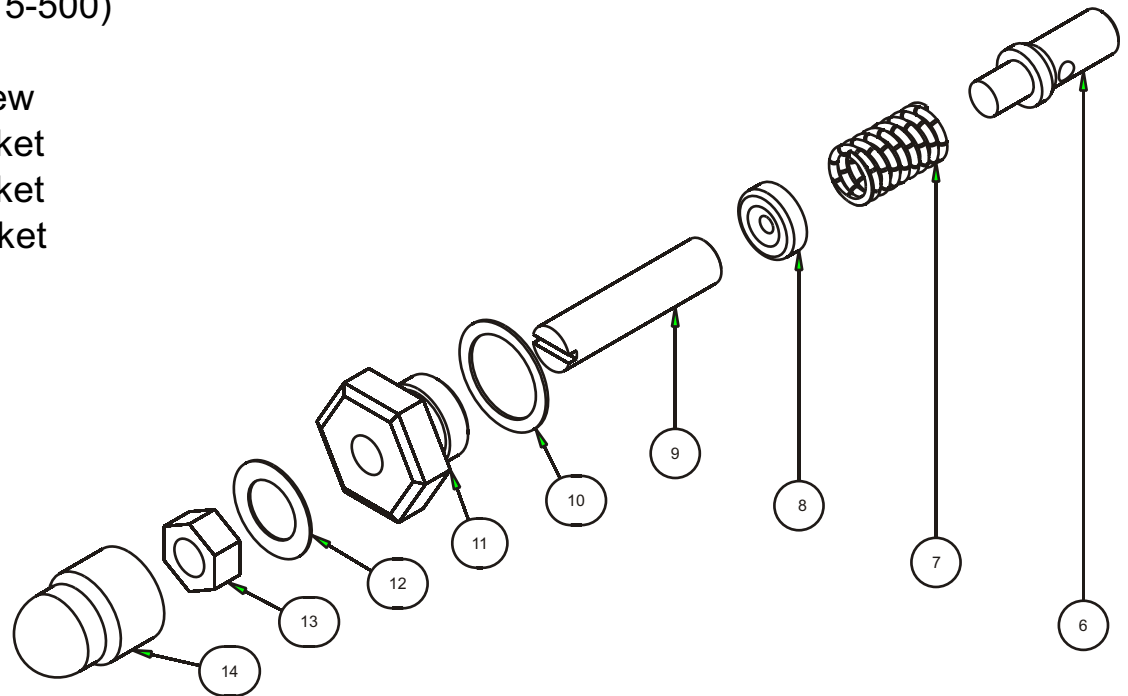


TUTHILL PUMP GROUP - LUBETECH PARTS LIST

OLE

Relief Valve Option

item	part number	description
6	0LWV58-X201	plunger
7	0LWV63	standard spring (55-120)
	0C62-X201	optional spring (25-34)
	0C62-X299	optional spring (35-54)
	0LWVH63	optional spring (121-169)
	0LPV63	optional spring (170-374)
	0LV63X	optional spring (375-500)
8	30EN92	retainer
9	P103-11	adjusting screw
10	30F64-X201	valve cap gasket
11	0LWV56	valve cap gasket
12	30LE64-A	cap cover gasket
13	30LE528	nut
14	30LE56	acorn nut

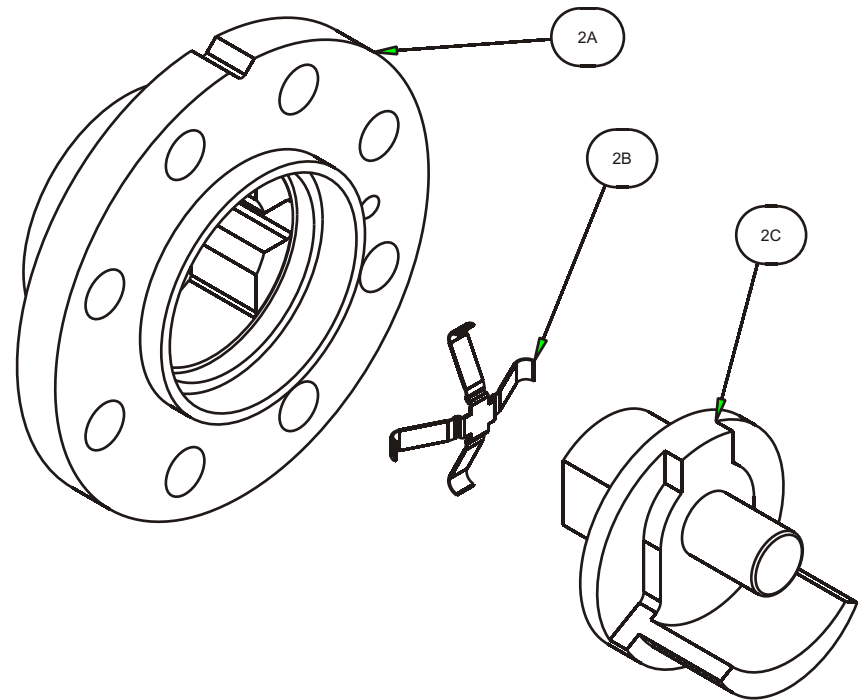




OLE

Reversing Option

item	part number	description
2a	0RL35	cover (RLE)
2b	1R80-A	spring (RLE)
2c	0RF6	carrier assembly (RLE)
	1M31	pin





OLE

Ball Bearing Option

item	part number	description
20a	1LAK37	housing plug (LEK)
20b	0LK511-E	ball bearing (LEK)

