

**Simer**<sup>®</sup>  
WE RUN THE WATER IN YOUR HOME™  
293 Wright Street, Delavan, WI 53115  
Phone: 1-800-468-7867  
Fax: 1-800-390-5351  
Web Site: simerpump.com

OWNER'S MANUAL

**Automatic Booster Pump**

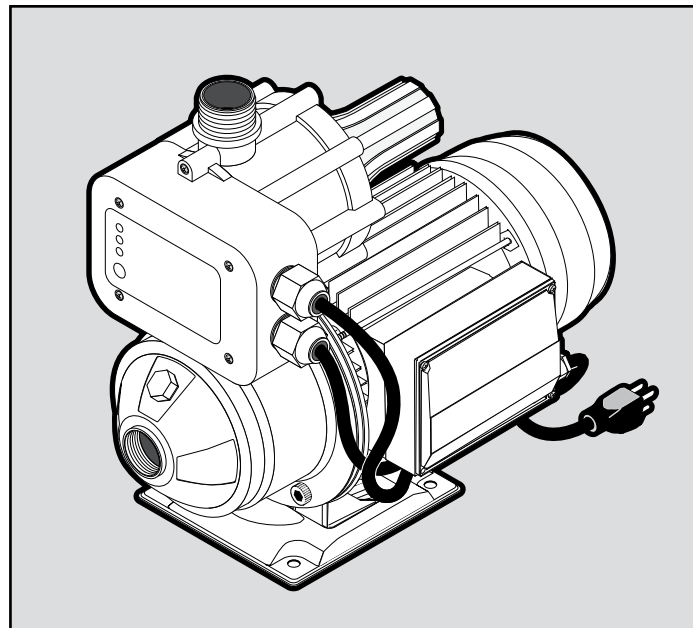
NOTICE D'UTILISATION

**Pompe de surpression à  
fonctionnement automatique**

MANUAL DEL USUARIO

**Bomba automática de refuerzo**

**ACE IN THE HOLE  
SERIES**



**3075SS**

**Installation/Operation/Parts**

*For further operating, installation,  
or maintenance assistance:*

**Call 1-800-468-7867**

**English. . . . . Pages 2-8**

**Installation/Fonctionnement/Pièces**

*Pour plus de renseignements  
concernant l'utilisation,  
l'installation ou l'entretien,*

**Composer le 1 (800) 468-7867**

**Français . . . . . Pages 9-15**

**Instalación/Operación/Piezas**

*Para mayor información sobre el  
funcionamiento, instalación o  
mantenimiento de la bomba:*

**Llame al 1-800-468-7867**

**Español . . . . . Páginas 16-22**

## Important Safety Instructions

**SAVE THESE INSTRUCTIONS** - This manual contains important instructions that should be followed during installation, operation, and maintenance of the product. Save this manual for future reference.

**▲** This is the safety alert symbol. When you see this symbol on your pump or in this manual, look for one of the following signal words and be alert to the potential for personal injury!

**▲ DANGER** indicates a hazard which, if not avoided, *will* result in death or serious injury.

**▲ WARNING** indicates a hazard which, if not avoided, *could* result in death or serious injury.

**▲ CAUTION** indicates a hazard which, if not avoided, *could* result in minor or moderate injury.

**NOTICE** addresses practices not related to personal injury. Keep safety labels in good condition. Replace missing or damaged safety labels.

Make workshops childproof; use padlocks and master switches; remove starter keys.

## General Safety

- To avoid risk of serious bodily injury and property damage, read the safety instructions carefully before installing this pump.
  - Follow local and/or national plumbing, building and electrical codes when installing the pump. Use rigid pipe when installing this pump.
  - ▲ WARNING Hazardous pressure.** The pump body may explode if used to boost pressure above 100 psi (689 kPa). Do not use this pump with inlet pressure greater than 50 psi (345 kPa). If not already in the plumbing system, install a pressure relief valve in the pump discharge line capable of passing the full pump flow at 100 psi (689 kPa). If local code requires installation of a pressure relief valve capable of handling the full pump flow at a pressure less than 100 psi (689 kPa), follow the code requirements.
  - A low pressure safety cutoff switch is recommended to shut off power to the pump in case of low discharge pressure due to interruption of the incoming water supply, broken pipe, etc.
  - Never run the pump dry. To do so can damage internal parts, overheat pump (which can cause burns to people handling or servicing pump), and will void warranty.
- ▲ WARNING Risk of fire or explosion.** To avoid risk of fire and explosion, Pump Water Only with this pump. Do not pump flammable liquids or chemicals. Do not use the pump near gas pilot lights or where chemical or gas fumes are present. Use of an electric pump with liquids other than water or in an atmosphere containing chemical or gas fumes may ignite those liquids or gases and cause injury or death due to an explosion and/or fire.
  - ▲ WARNING Risk of burns.** If water is trapped in the pump during operation it may turn to steam. Trapped steam can lead to an explosion and burns. Never run the pump with the outlet closed or obstructed.
  - ▲ WARNING Risk of burns.** Do not touch an operating motor. Modern motors can operate at high temperatures. To avoid burns when servicing the pump, allow it to cool for 20 minutes after shut-down before handling.

## Electrical Safety

The pump is supplied with a 3-conductor grounding type cord. Connect only to a properly grounded, GFCI protected outlet. Do not lift the pump by the electrical cord.

**▲ WARNING Hazardous voltage.** Can shock, burn or cause death. Ground the pump before connecting to a power supply. Disconnect the power before working on the pump, motor or tank.

- The pump and controller are non-submersible. Keep the motor dry at all times. Do not wash the motor. Do not immerse. Protect the motor from wet weather.
- If using an extension cord, use only an approved indoor/outdoor, 3-wire, 14GA, grounding type cord. Do not allow any part of the cord or the receptacle ends to sit in water or in damp locations.
- Unplug the pump before servicing. To avoid fatal shock, proceed as follows if the pump needs servicing.
- Disconnect the power to the pump outlet box before unplugging the pump. After the plug is pulled, let the pump cool for 20 minutes before attempting to work on it.
- Take extreme care when changing fuses. To reduce the chance of fatal electrical shock, DO NOT stand in water or put your finger in the fuse socket.
- Ground the electrical outlet box.
- Plug the pump and the controller into a Ground Fault Circuit Interrupter (GFCI) protected grounded outlet only.

## Retain Original Receipt For Warranty Eligibility

### Limited Warranty

This Limited Warranty is effective June 1, 2011 and replaces all undated warranties and warranties dated before June 1, 2011. SIMER warrants to the original consumer purchaser ("Purchaser" or "You") that its products are free from defects in material and workmanship for a period of twelve (12) months from the date of the original consumer purchase. If, within twelve (12) months from the original consumer purchase, any such product shall prove to be defective, it shall be repaired or replaced at SIMER's option, subject to the terms and conditions set forth herein. Note that this limited warranty applies to manufacturing defects only and not to ordinary wear and tear. All mechanical devices need periodic parts and service to perform well. This limited warranty does not cover repair when normal use has exhausted the life of a part or the equipment.

The original purchase receipt and product warranty information label are required to determine warranty eligibility. Eligibility is based on purchase date of original product – not the date of replacement under warranty. The warranty is limited to repair or replacement of original purchased product only, not replacement product (i.e. one warranty replacement allowed per purchase). Purchaser pays all removal, installation, labor, shipping, and incidental charges.

For parts or troubleshooting assistance, DO NOT return product to your retail store. Contact SIMER Customer Service at 1-800-468-7867.

Claims made under this warranty shall be made by returning the product (except sewage pumps, see below) to the retail outlet where it was purchased or to the factory immediately after the discovery of any alleged defect. SIMER will subsequently take corrective action as promptly as reasonably possible. No requests for service will be accepted if received more than 30 days after the warranty expires. Warranty is not transferable and does not apply to products used in commercial/rental applications.

### Sewage Pumps

DO NOT return a sewage pump (that has been installed) to your retail store. Contact SIMER Customer Service. Sewage pumps that have seen service and been removed carry a contamination hazard with them.

If your sewage pump has failed:

- Wear rubber gloves when handling the pump;
- For warranty purposes, return the pump's cord tag and original receipt of purchase to the retail store;
- Dispose of the pump according to local disposal ordinances.

### Exceptions to the Twelve (12) Month Limited Warranty

Product	Warranty Period
BW85P, M40P	90 days
2115, 2300, 2310, 2330, 2943, 2955, 2956, 2957, A5500	2 Years
4" Submersible Well Pumps, 2945, 2958, 2975PC, 3075SS, 3963, 3984, 3995	3 Years
Pre-Charged Pressure Tanks, 3985, 3986, 3988, 3989, 5910, 5950, 5955, 5965, 5975	5 Years

### General Terms and Conditions; Limitation of Remedies

You must pay all labor and shipping charges necessary to replace product covered by this warranty. This warranty does not apply to the following: (1) acts of God; (2) products which, in SIMER's sole judgement, have been subject to negligence, abuse, accident, misapplication, tampering, or alteration; (3) failures due to improper installation, operation, maintenance or storage; (4) atypical or unapproved application, use or service; (5) failures caused by corrosion, rust or other foreign materials in the system, or operation at pressures in excess of recommended maximums.

This warranty sets forth SIMER's sole obligation and purchaser's exclusive remedy for defective products.

SIMER SHALL NOT BE LIABLE FOR ANY CONSEQUENTIAL, INCIDENTAL, OR CONTINGENT DAMAGES WHATSOEVER.

THE FOREGOING WARRANTIES ARE EXCLUSIVE AND IN LIEU OF ALL OTHER EXPRESS AND IMPLIED WARRANTIES, INCLUDING BUT NOT LIMITED TO THE IMPLIED WARRANTIES OF MERCHANTABILITY AND FITNESS FOR A PARTICULAR PURPOSE. THE FOREGOING WARRANTIES SHALL NOT EXTEND BEYOND THE DURATION PROVIDED HEREIN.

Some states do not allow the exclusion or limitation of incidental or consequential damages or limitations on how long an implied warranty lasts, so the above limitations or exclusions may not apply to You. This warranty gives You specific legal rights and You may also have other rights which vary from state to state.

**SIMER • 293 Wright Street • Delavan, WI U.S.A. 53115**

**Phone: 1-800-468-7867 • Fax: 1-800-390-5351 • Web Site: [simerpump.com](http://simerpump.com)**

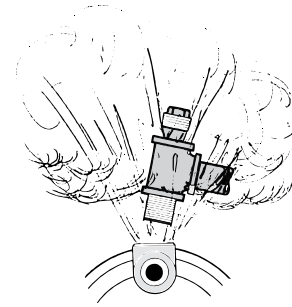
Use the Ace-In-The-Hole Automatic Booster Pump to boost city water pressure. Plumbing connections are described in this manual.

## General Information

- Pump only clean water with your Ace-In-The-Hole Automatic Booster Pump. To avoid clogging the pump and damaging the shaft seal, do not pump water containing solids, foreign material, sand, silt, or abrasives.
- If you are boosting the pressure from a well pump, be sure that the system check valves are tight. If the system pressure drops when the well pump is not running, the Automatic Booster Pump may start and cycle. Excessive or rapid cycling may damage the motor and will void the warranty.
- Do not use pipe joint compound on pump ports; use only PTFE tape to seal the threads. Pipe joint compound will damage the controller materials.  
**NOTICE:** The priming plug has an O-ring already installed and does not require sealing.
- Tighten all the piping joints to the pump hand tight plus 1-1/2 turns (not more).  
Overtightening may break the pump and will void the warranty.
- Pipe and fittings to the pump should be at least nominal 1" diameter. Pipe or fittings less than 1" in diameter will reduce performance and may damage the pump through cavitation.
- Make sure that there are no air leaks or air pockets in the suction pipe. An air leak in the suction pipe may draw air in, although no water leaks out. Air leaks and air pockets will prevent the pump from priming properly, and can substantially reduce its performance.
- The pump mount should be level, solid, as near as possible to the water source, and protected against excess moisture and flooding.
- Use the shortest possible run for piping and the smallest possible number of fittings. Long pipe runs and numerous fittings increase friction and reduce the flow of water.
- Support the weight of the piping and pump.
- Do not allow the pump, pressure controller, or any system components to freeze. Freezing will damage the pump and void the warranty.
- Periodically inspect the pump, pressure controller, and system components.

**NOTICE:** Local code may require a pressure relief valve or pressure regulator.

**CAUTION Risk of leaks and flooding.** Do not use this pump with inlet pressure less than 10 psi (70 kPa) or greater than 50 psi (345 kPa).



**Figure 1 – Do Not Run the Pump With Inlet Shut Off**

**WARNING Pressure hazard and risk of explosion.** This pump can develop high pressure when operated with the discharge shut off or obstructed. For safe operation, we recommend the following:

If not already in the plumbing system, install a pressure relief valve in the pump discharge line capable of passing the full pump flow at 100 psi (689 kPa). If local code requires installation of a pressure relief valve capable of handling the full pump flow at a pressure less than 100 psi (689 kPa), follow the code requirements. Run the relief valve discharge to a floor drain or other drain that will give adequate runoff.

## Installation

**CAUTION Risk of flooding.** Be sure that all plumbing and fittings are rated to withstand the system pressure which you expect the pump to generate.

1. Decide what's the best place to install the pump. Think about these things:
  - it must be near the main water supply line
  - the pump must be accessible
  - the power cord must reach a power outlet
  - the controller's LED lights must be visible
  - ease of plumbing
  - space saving
- NOTICE:** Installation of a low pressure safety cutoff switch on the pump discharge is recommended (and may be required by your local code) to shut off the power in case of low discharge pressure (caused by broken pipe, etc.).
2. Mount the pump on a solid base in the location you have decided on.
3. Choose a time that will allow you to shut off the water to the household while you install the Automatic Booster Pump.
4. Shutoff the main water supply valve to the household.
5. Open any faucet to relieve water pressure in the plumbing. Once the water pressure is relieved, close the faucet.

6. READ STEP 6 COMPLETELY BEFORE STARTING WORK.

You must remove a length of pipe from the main water supply line to allow installation of elbows for the Automatic Booster Pump. The locations of the cuts must take into consideration the size of the elbows being used, the length of the threads in threaded joints or the overlap in glued or soldered joints, etc.. Position the elbows in line with the pump suction and discharge threads. There may be some water leakage while cutting the pipe. Remove any burrs or shavings caused by the cutting tool.

**NOTICE:** Galvanized pipe may not need to be cut. If there is a union close to the pump location, disassemble the union and remove (unscrew) pipe back past the pump location. Have new lengths of pipe cut and threaded to allow for the pump installation.

**NOTICE:** Both female suction and male discharge ports have 1" NPT threads. Depending on your type of connection and the size of your home's piping, you may need to install adapters on the ports.

7. Once the short piece of pipe is removed, the piping above the cut can be drained to prevent water mess. Place a pail under the opening going to the household. Open the highest faucet in the system to let in air so the water can fall out of the pipes into the pail. Once it's drained, close the faucet.

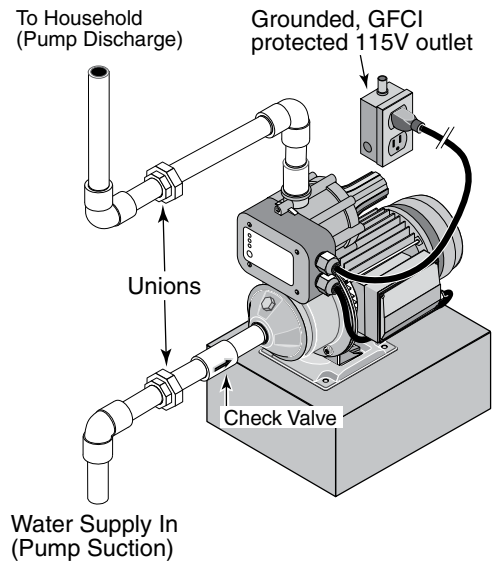
8. Install the elbows in the main water supply line. Point them toward the pump.

**CAUTION Risk of burst hose and flooding.** Do not install with flexible hoses. Use only rigid piping that meets code.

9. Install piping from elbows to pump including a union in each line, an elbow in the discharge line, and a check valve in the pump suction line. The arrow on the check valve must point to the pump suction (see Figure 2). If not already in the plumbing system, install a pressure relief valve in the pump discharge line capable of passing the full pump flow at 100 psi (689 kPa). If local code requires installation of a pressure relief valve capable of handling the full pump flow at a pressure less than 100 psi (689 kPa), follow the code requirements. A low pressure safety cutoff switch should also be installed in the discharge line, and may be required by your local codes.

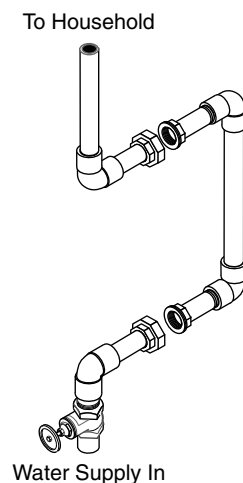
10. With all pipe and fittings installed and sealed, turn on the main water supply slowly to pressurize the system and check for leaks. If any leaks appear, turn the main valve off, open a faucet to relieve the pressure, and repair the leak. Repeat this step until there are no leaks in the system.

11. Open a faucet to release the air from the pipes and allow water to flow. When a steady stream of water flows out of the faucet, the pump is full of water and fully primed. Close the faucet.



**Figure 2: Typical household booster installation. Purchase plumbing fittings separately. Consult code for relief valve/pressure regulator requirements.**

12. Before continuing with the installation, see the manual sections titled *Electrical Connections*, *Automatic Pressure Controller*, *Normal Operation*, and *When Does The Pump Stop Operating* for detailed information on how the system functions.
13. At this point, you can plug in the pump for the first time. When you plug in the power cord, the pump will start and run for a few seconds.
14. When the pump stops running (after it shuts off automatically), the system is at the boosted pressures. Inspect the pipe and fittings again for water leaks. If any leaks appear, unplug the pump, turn the water main valve off, open a faucet to relieve the pressure and repair the leak. Repeat this step until there are no leaks in the system.



**Figure 3: Typical bypass piping needed to allow removal of pump for repair without shutting down household water system.**



## Electrical Connection

**⚠ WARNING Hazardous voltage.** Risk of dangerous or fatal electric shock. Plug the pump into a 115 Volt, 60 Cycle, Ground Fault Circuit Interrupter (GFCI) protected grounded outlet only. The pump is equipped with a 3-wire grounded cord and plug. Do not modify or remove the plug. Make sure the outlet meets the National Electric Code or the Canadian Electrical Code, as applicable. To avoid dangerous electrical shock hazard, keep the cord dry at all times. See Figure 2.

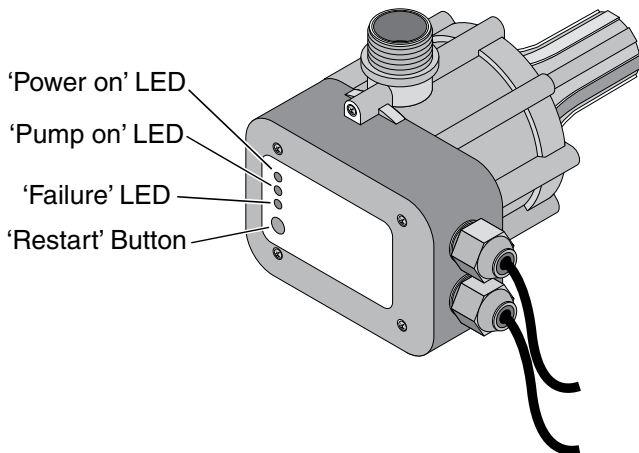
## Automatic Pressure Controller

The Automatic Pressure Controller mounts on the pump. It protects against:

- Run-dry operation;
- Frequent starts caused by small water losses in the system;
- Pressure drop.

The Automatic Pressure Controller features the following LEDs and controls:

- 'Power on' LED: indicates that the unit is electrically connected and that voltage is present. The pump is ready to operate.
- 'Pump on' LED: indicates that the pump is running and actually pumping water.
- 'Failure' LED: indicates that no water is detected coming into the pump.
- 'Restart' button: resets any safeties which have tripped and allows the pump to restart.



**Figure 4 - Automatic Booster Pump Control Panel**

## Normal Operation Of The Automatic Booster Pump

**⚠ WARNING Risk of burns.** NEVER run the pump dry. Running the pump without water may cause pump to overheat and cause burns to persons handling the pump. It may also damage the impeller and may damage the seal, causing leaking or flooding, and will void the warranty. Fill the pump with water before starting it. Make sure that the Automatic Booster Pump has been properly installed and primed, and that the suction pipe is unobstructed and open.

Plug in the pump. The 'Power on' and 'Pump on' lights will come on indicating, respectively, that voltage is present and that the pump is ready to operate.

The pump will start and will continue to operate until several seconds after the system pressure has risen and flow has stopped.

## When Does The Pump Stop Operating?

**Pressure Set-Point/No Flow:** The pump will stop operating and the 'Pump on' LED will go off several seconds after:

- The system pressure is above the starting pressure, and
  - The flow has stopped.
- This is normal operation.

**Restart:** A water flow in the system greater than 1/4 GPM or a drop in pressure below the starting pressure set-point will cause the pump to restart and the 'Pump on' LED to light up. The pump will continue to operate until several seconds after:

- It reaches the maximum pressure of the pump, and
- The flow stops.

**NOTICE:** The delay in shutting off the pump prevents rapid cycling when water faucets are being turned on and off quickly (for example, when brushing teeth, etc.).

**Pressure Drop/No Flow:** Normally, when the pump starts, it will very quickly generate pressure and sense flow. If there is no flow and the pressure does not rise, it senses a "no water" condition. It can also sense this during operation if the water supply to the pump fails. To protect the pump from running dry:

- Several seconds after it detects "no water", the pump will stop operating,
- The 'Pump on' LED will go out, and
- The 'Failure' LED will go on.

**Restart:** Make sure that the suction line is not obstructed, and that it is connected to a water source.

- Press and hold the 'Restart' button for 5 seconds.
  - The 'Pump on' LED should light up, and
  - The 'Failure' LED should go off.
- If flow is adequate, the pump will operate until several seconds after it reaches the set-point pressure and the flow stops.

## Lubrication

The motor is lubricated at the factory for the life of the bearings. The pump seal is water cooled and self lubricating.

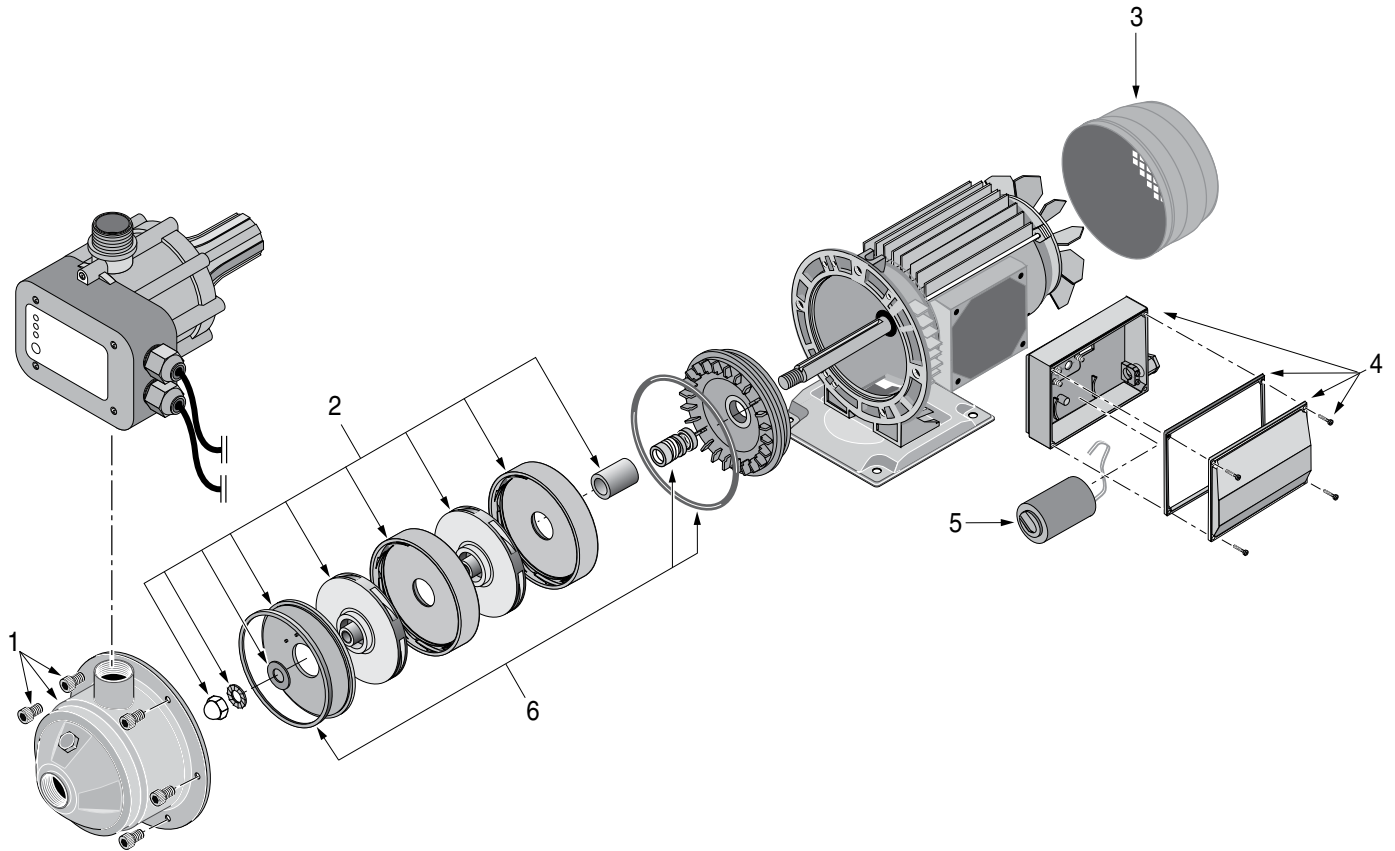
## Pump Service

**⚠ WARNING Hazardous voltage.** Can shock, burn, or cause death. Unplug the pump and controller before servicing them. Do not handle the pump or controller or attempt to work on the pump with wet hands or while standing on a wet or damp floor.

The motor has an auto-reset thermal overload protector. If the motor overheats, the overload will cut off the power to prevent damage and will reset after the motor cools. If the overload trips repeatedly, check the pump for the cause (low voltage, a clogged impeller, etc.).

## Troubleshooting

Symptom	Possible Cause(s)	Corrective Action
Motor will not run.	Fuse is blown or circuit breaker tripped.	DISCONNECT POWER; Replace fuse or reset circuit breaker.
	Power cord not plugged in.	Plug into 115 Volt grounded outlet.
Motor runs hot and overload kicks off or motor does not run and only hums.	Voltage is too low.	Check voltage being supplied to pump.
	Impeller not moving freely	Check that impeller moves freely and is not clogged.
Motor runs but no water is delivered.*  * Unplug pump, then open faucets and see if water is flowing through system.	Improper priming.	Re-prime according to instructions.
	Clogged water filter.	Stop pump, shut off water, and change filter cartridge. Filter should be installed on discharge side of pump.
	Discharge valve closed	Open valve.
	Pipe size too small	Re-pipe using pipe of the same size as suction and discharge ports on pump.
	Impeller is plugged	Clean impeller.
	Pipes are frozen	Thaw pipes.
*Pump does not deliver water to full capacity.	Corroded pipes.	Replace with plastic or new steel pipe.
	Piping is too small in size.	Re-pipe using pipe the same size as suction and discharge ports on pump.
	Pump not being supplied with enough water.	Enlarge inlet pipe; check well pump system.
	Low voltage	Make sure outlet voltage is at 115 Volts.



Ref.	Description	Qty.	Part Number
1	Pump Body Kit (includes Bolts)	1	FPP1801
2	Internal Parts Kit	1	FPP1870
3	Fan Guard	1	721S1090
4	Wiring Box/Cover/Gasket Kit	1	FPP1802
5	Capacitor	1	171P5750
6	Shaft Seal and O-Ring Kit	1	FPP1850



## Directives de sécurité importantes

**Conservez ces directives** – Ce manuel renferme d'importantes directives qu'il faut suivre durant l'installation et l'entretien de la pompe. Conservez ce manuel pour référence future.

Ce symbole **▲** indique qu'il faut être prudent. Lorsque ce symbole apparaît sur la pompe ou dans cette Notice, rechercher une des mises en garde qui suivent, car elles indiquent un potentiel de blessures corporelles!

Le mot signal **▲ DANGER** indique un danger qui, s'il n'est pas évité, *causera* la mort ou des blessures graves.

Le mot signal **▲ AVERTISSEMENT** indique un risque qui, s'il n'est pas évité, *pourrait causer* la mort ou des blessures graves.

Le mot signal **▲ ATTENTION** indique un risque qui, s'il n'est pas évité, *pourrait causer* des blessures mineures ou modérées.

Le mot **AVIS** est utilisé pour les pratiques qui ne sont pas reliées aux blessures personnelles.

Lire attentivement toutes les consignes de sécurité contenues dans cette Notice ou collées sur la pompe. Garder les autocollants de sécurité en bon état; les remplacer s'ils manquent ou s'ils ont été endommagés.

Rendre les ateliers à l'épreuve des enfants; poser des cadenas et des interrupteurs principaux; enlever la clé des démarreurs.

## Consignes de sécurité générales

1. Pour éviter tout risque de blessures corporelles graves et de dommages matériels importants, lire attentivement ces consignes de sécurité avant de procéder à l'installation de la pompe.
2. Pour installer cette pompe, respecter les codes de la plomberie, du bâtiment et de l'électricité de la municipalité et du gouvernement fédéral. Pour installer cette pompe, n'utiliser que des tuyaux rigides.
3. **▲ AVERTISSEMENT** **Pression dangereuse.** Le corps de la pompe risque d'exploser si la pompe est utilisée pour augmenter la pression à plus de 689 kPa (100 lb/po<sup>2</sup>). Sur la tuyauterie de refoulement, poser une soupape de sûreté qui permettra d'évacuer tout le débit de la pompe à une pression de 689 kPa (100 lb/po<sup>2</sup>). Si cet énoncé est contraire aux codes, respecter ce qui est stipulé par les codes. Ne pas utiliser cette pompe si la pression d'arrivée de l'eau est supérieure à 345 kPa (50 lb/po<sup>2</sup>).
4. Il est recommandé d'utiliser un disjoncteur de sécurité basse pression pour couper le courant alimentant la pompe au cas où la pression de refoulement chuterait suite à une interruption de l'arrivée de l'eau d'alimentation, à un tuyau brisé, etc.
5. Ne jamais faire fonctionner la pompe à sec, sinon ses pièces internes risquent d'être endommagées, la pompe risque de surchauffer (et les personnes qui manipuleront ou interviendront sur la pompe risqueront d'être brûlées). De plus, cette pratique annule la garantie.
6. **▲ AVERTISSEMENT** **Risque d'incendie ou d'explosion.** Pour empêcher tout risque d'incendie ou d'explosion, ne pomper que de l'eau avec cette pompe. Ne pas pomper de liquides inflammables ni de produits chimiques. Ne pas utiliser cette pompe près de veilleuses fonctionnant au gaz, ni en présence de vapeurs de produits chimiques, d'essence

ou de tout autre produit inflammable. L'utilisation d'une électropompe pour pomper des liquides autres que de l'eau ou dans une atmosphère contenant des vapeurs de produits chimiques, d'essence ou de tout autre produit inflammable risque d'enflammer ces liquides ou ces vapeurs et de causer des blessures, voire la mort, suite à une explosion et/ou à un incendie.

7. **▲ ATTENTION** **Risque de brûlures.** Si de l'eau reste emprisonnée dans la pompe pendant qu'elle fonctionne, cette eau risque de se transformer en vapeur. La vapeur emprisonnée dans la pompe risque de provoquer une explosion et des brûlures. Ne jamais faire fonctionner la pompe si son refoulement est fermé ou obstrué.
8. **▲ ATTENTION** **Risque de brûlures.** Ne pas toucher un moteur pendant qu'il fonctionne. Les moteurs modernes sont conçus pour fonctionner par des températures élevées. Pour ne pas se brûler pendant qu'on intervient sur la pompe, toujours la laisser refroidir pendant au moins 20 minutes après l'avoir arrêtée et avant de la manipuler.

## Consignes de sécurité concernant l'électricité

Cette pompe est livrée avec un cordon électrique à 3 conducteurs, dont un de mise à la terre. Ne brancher ce cordon électrique que dans une prise de courant adéquatement mise à terre et protégée par un disjoncteur de fuite à la terre. Ne pas lever cette pompe par son cordon électrique.

- ▲ AVERTISSEMENT** **Tension dangereuse.** Risque de secousses électriques, de brûlures, voire de mort. Mettre cette pompe à la terre avant de la brancher sur le courant électrique. Couper le courant avant d'intervenir sur la pompe, le moteur ou le réservoir.
- Cette pompe et son servorégulateur ne sont pas submersibles. Toujours garder le moteur sec. Ne pas le laver. Ne pas l'immerger. Le protéger contre la pluie.
  - Si on doit utiliser un cordon prolongateur, n'utiliser uniquement une approbation intérieure / extérieure, 3 fils, 2mm<sup>2</sup> (14 GA), à la terre du cordon de type. Ne permettre à aucune partie du cordon prolongateur ni à sa fiche et à sa prise de reposer dans l'eau ou dans un endroit humide.
  - Avant d'intervenir sur la pompe, la débrancher de la prise de courant. Pour éviter de subir des secousses électriques mortelles si on doit intervenir sur la pompe, procéder comme il est indiqué ci-dessous.
  - Couper le courant alimentant la prise de courant avant d'intervenir sur la pompe. Après avoir débranché la fiche du cordon électrique de la prise de courant, attendre au moins 20 minutes avant d'intervenir sur la pompe afin de la laisser refroidir.
  - Il faut être extrêmement prudent lorsqu'on remplace un fusible. Pour réduire les possibilités de secousses électriques mortelles, NE PAS se tenir dans l'eau et ne pas mettre de doigt dans la douille du fusible.
  - Mettre à la terre la boîte de sortie de la prise de courant.
  - Ne brancher la pompe et son servorégulateur que dans une prise de courant adéquatement mise à la terre protégée par un interrupteur de fuite à la terre.

**Conserver le reçu de caisse original aux fins d’admissibilité à la garantie**

**Garantie limitée**

La présente garantie limitée est entrée en vigueur le 1er juin 2011 et remplace toute garantie non datée ou antérieure à cette date. SIMER garantit à l’acheteur/au consommateur d’origine (l’Acheteur) que ses produits sont exempts de tout vice de matériau et de fabrication. Cette garantie est valable pendant douze (12) mois à partir de la date d’achat d’origine. Si, dans les douze (12) mois suivant la date d’achat d’origine, un produit se révèle défectueux, il doit être réparé ou remplacé, à la discrétion de SIMER, selon les modalités énoncées aux présentes. Il est à noter que la présente garantie limitée s’applique aux défauts de fabrication seulement. Elle ne couvre pas l’usure normale. Tout dispositif mécanique doit faire l’objet d’un entretien périodique pour veiller à son bon fonctionnement. La présente garantie limitée ne couvre pas les réparations attribuables à l’usure normale d’une pièce ou de l’équipement.

Le reçu de caisse original et l’étiquette d’information sur la garantie sont nécessaires pour déterminer l’admissibilité à la garantie. Cette dernière est établie en fonction de la date d’achat de l’article et non de la date de son remplacement sous garantie. La garantie se limite à la réparation ou au remplacement de l’article original seulement et ne couvre pas l’article de rechange (c.-à-d. un article remplacé sous garantie par achat). L’Acheteur assume les frais de retrait, d’installation, de transport et tous les frais accessoires.

Pour obtenir des pièces ou de l’aide technique, NE PAS retourner le produit au détaillant. Contacter le service à la clientèle de SIMER au 1 800 468-7867.

Toute demande de règlement en vertu de la présente garantie doit être faite en retournant l’article (à l’exception des pompes de puisard; voir la marche à suivre ci-dessous) au magasin où celui-ci a été acheté ou à l’usine dès qu’une défectuosité est soupçonnée. SIMER prendra les mesures correctives nécessaires dans un délai rapide et raisonnable. Aucune demande de réparation ne sera acceptée plus de 30 jours après l’expiration de la garantie.

La garantie ne peut être cédée et ne s’applique pas aux produits utilisés à des fins commerciales ou de location.

**Pompes d’eaux d’égout**

NE PAS RETOURNER une pompe d’eaux d’égout (qui a été installée) au détaillant. Communiquer avec le service à la clientèle de SIMER. Les pompes d’eaux d’égout qui ont été utilisées, puis retirées présentent un risque de contamination.

En cas de défaillance de la pompe d’eaux d’égout :

- Porter des gants en caoutchouc pour manipuler la pompe.
- À des fins de garantie, retourner l’étiquette figurant sur le cordon de la pompe et l’original du reçu au détaillant.
- Mettre la pompe au rebut conformément à la réglementation locale.

**Exceptions à la garantie limitée de douze (12) mois**

Produit	Période de garantie
BW85P, M40P	90 jours
2115, 2300, 2310, 2330, 2943, 2955, 2956, 2957, A5500	2 ans
Pompe pour puits submersibles de 4 pouces, 2945, 2958, 2975PC, 3075SS, 3963, 3984, 3995	3 ans
Réservoir préchargé de système d’eau, 3985, 3986, 3988, 3989, 5910, 5950, 5955, 5965, 5975	5 ans

**Modalités générales et restriction des recours**

L’Acheteur doit payer tous les frais de main d’œuvre et de transport nécessaires au remplacement du produit garanti couvert par cette garantie. Cette garantie ne s’applique pas à ce qui suit : (1) Les catastrophes naturelles; (2) Les produits qui, selon SIMER, ont fait l’objet d’une négligence, d’une utilisation abusive, d’un accident, d’une mauvaise application ou d’une altération; (3) Les défaillances dues à une installation, une utilisation, un entretien ou un entreposage inappropriés; (4) Une application, une utilisation ou une réparation atypique ou non approuvée; (5) Les défaillances causées par la corrosion, la rouille ou d’autres matériaux étrangers au système, ou par une utilisation à une pression supérieure au maximum recommandé.

Cette garantie établit la responsabilité unique de SIMER et le recours exclusif de l’Acheteur en cas de produit défectueux.

SIMER NE POURRA TRE TENUE RESPONSABLE DE TOUT DOMMAGE INDIRECT OU CONSÉCUTIF QUEL QU’IL SOIT.

LA GARANTIE LIMITÉE SUSMENTIONNÉE EST EXCLUSIVE ET REMPLACE TOUTES LES AUTRES GARANTIES EXPRESSES ET TACITES, Y COMPRIS, MAIS SANS S’Y LIMITER, LES GARANTIES DE QUALITÉ MARCHANDE ET D’ADAPTATION À UN USAGE PARTICULIER. LA GARANTIE LIMITÉE SUSMENTIONNÉE NE DOIT PAS ÊTRE PROLONGÉE AU-DELÀ DE LA DURÉE PRÉVUE AUX PRÉSENTES.

Certains États ne permettent pas l’exclusion ou la limitation des dommages indirects ou consécutifs, ni les limitations relatives à la durée des garanties implicites. Par conséquent, il se peut que les limitations ou les exclusions ci-dessus ne s’appliquent pas. Cette garantie procure des droits juridiques précis à l’Acheteur. Cependant, il est possible de bénéficier d’autres droits, qui varient selon l’État.

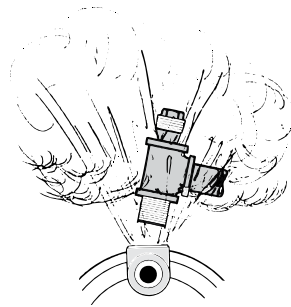
**SIMER • 293 Wright Street • Delavan, WI U.S.A. 53115**

**Téléphone : 1 800 468-7867 • Télécopieur : 1 800 390-5351 • simerpump.com**

Utiliser cette pompe de surpression à fonctionnement automatique « Ace-In-The-Hole » pour augmenter la pression de l'eau fournie par la municipalité. Les branchements de la tuyauterie sont décrits dans cette Notice.

## Renseignements généraux

- Ne pomper que de l'eau propre avec cette pompe de surpression à fonctionnement automatique « Ace-In-The-Hole ». Pour ne pas boucher la pompe et pour ne pas endommager le joint de son arbre, ne pas pomper d'eau contenant des matières solides, des corps étrangers, du sable, du limon ou des substances abrasives.
- Si on doit augmenter la pression de l'eau pompée d'un puits, s'assurer que les clapets de non-retour du système sont bien serrés. Si la pression du système chute pendant que la pompe du puits ne fonctionne pas, la pompe de surpression à fonctionnement automatique peut démarrer et s'arrêter continuellement. Des démarrages et des arrêts rapides ou excessifs de la pompe de surpression à fonctionnement automatique risquent d'endommager son moteur, ce qui annulera la garantie.
- Ne pas utiliser de pâte pour raccords filetés sur les orifices filetés de la pompe. N'utiliser que du ruban d'étanchéité au PTFE pour rendre étanches ces filets. Les pâtes d'étanchéité pour raccords filetés endommageront les matériaux du servorégulateur.  
**AVIS** : Le bouchon d'amorçage est déjà doté d'un joint torique; il n'est donc pas nécessaire de le rendre étanche.
- Serrer à la main tous les raccords et tous les tuyaux branchés sur la pompe, puis les serrer de 1-1/2 tour de plus au maximum.
- Un serrage excessif de ces raccords et de ces tuyaux risque de briser la pompe, ce qui annulera la garantie.
- Le diamètre nominal minimum des tuyaux et des raccords branchés sur la pompe doit être d'au moins 1 pouce. Des tuyaux et des raccords ayant un diamètre inférieur à 1 pouce diminueront le débit, ce qui risque d'endommager la pompe suite à une cavitation.
- S'assurer qu'il n'y a pas de prises d'air ni de poches d'air dans le tuyau d'aspiration. Toute prise d'air dans le tuyau d'aspiration aspirera de l'air, sans toutefois que l'eau coule par cette prise d'air. Toute prise d'air et toute poche d'air empêcheront la pompe de s'amorcer adéquatement, ce qui risquera de diminuer considérablement son débit.
- Le socle sur lequel la pompe sera posée doit être de niveau, bien solide et aussi près que possible de la source d'eau. Il doit également être protégé contre toute humidité et inondation excessives.
- Utiliser la plus courte longueur de tuyau possible et le moins possible de raccords. De grandes longueurs de tuyau et de nombreux raccords augmentent le frottement, ce qui diminue le débit de la pompe.
- Supporter le poids de la tuyauterie et de la pompe.
- Ne pas permettre à la pompe, à son servorégulateur ni aux composants de système de geler. Le gel endommagera la pompe et la garantie sera annulée.
- Périodiquement, inspecter la pompe, le servorégulateur et les composants du système.



**Figure 1 – Ne pas faire fonctionner la pompe si l'arrivée est fermée**

**AVIS** : Les codes de la municipalité exigent peut-être l'utilisation d'une soupape de sûreté ou d'un régulateur de pression.

**⚠ ATTENTION Risque de fuite et d'inondation.** Ne pas utiliser cette pompe si la pression d'arrivée de l'eau est de moins de 70 kPa (10 lb/po<sup>2</sup>) ou supérieure à 345 kPa (50 lb/po<sup>2</sup>).

**⚠ AVERTISSEMENT Pression dangereuse et risque d'explosion.** Cette pompe peut développer des pressions extrêmement élevées pendant qu'elle fonctionne si son refoulement est fermé ou obstrué. Pour utiliser cette pompe en toute sécurité, nous recommandons de respecter ce qui suit :

Sur la tuyauterie de refoulement, poser une soupape de sûreté qui permettra d'évacuer tout le débit de la pompe à une pression de 689 kPa (100 lb/po<sup>2</sup>). Amener le tuyau de refoulement branché sur la soupape de sûreté jusqu'à un renvoi à l'égout de plancher ou jusqu'à tout autre renvoi à l'égout qui assurera une évacuation adéquate.

## Installation

**⚠ ATTENTION Risque d'inondation.** S'assurer que tous les tuyaux et que tous les raccords utilisés sont certifiés pour supporter les pressions que la pompe du système peut produire.

1. Décider du meilleur emplacement pour installer la pompe. Dans cette optique, il faudra considérer ce qui suit :
  - La pompe doit être posée le plus près possible de la conduite principale d'arrivée d'eau
  - On doit pouvoir accéder facilement à la pompe
  - Une prise de courant doit être assez proche pour que le cordon puisse y être branché
  - Les témoins électroluminescents du servorégulateur doivent être visibles.
  - On doit pouvoir facilement brancher la tuyauterie sur la pompe
  - La pompe doit prendre le moins de place possible
2. Monter la pompe sur un socle solide, à l'endroit que l'on a choisi.
3. Choisir un moment dans la journée qui permettra de couper l'arrivée d'eau alimentant l'habitation pendant que l'on procédera à l'installation de la pompe de surpression à fonctionnement automatique.

4. Fermer le robinet de la conduite d'arrivée d'eau principale de l'habitation.
5. Ouvrir n'importe quel robinet de façon à dissiper la pression d'eau dans les tuyaux. Dès que la pression de l'eau dans les tuyaux sera dissipée, fermer le robinet.
6. AVANT DE POURSUIVRE, LIRE ATTENTIVEMENT TOUTE L'OPÉRATION 6. Pour permettre le branchement de la pompe de surpression à fonctionnement automatique à l'aide de coudes, il faudra couper une certaine longueur de la conduite d'arrivée d'eau principale. Pour choisir l'emplacement des coupes à effectuer, il faudra prendre en considération la dimension des coudes qu'on utilisera, la longueur du filetage des raccords ou l'emboîtement des raccords lisses à coller ou à souder, etc. Positionner les coudes en ligne avec les orifices d'aspiration et de refoulement de la pompe. En coupant le tuyau, il se peut que de l'eau coule. Enlever toutes les bavures ou tous les copeaux laissés par l'outil de coupe.

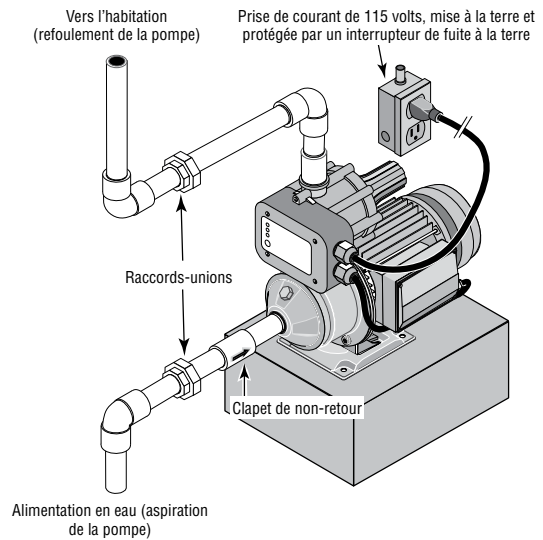
**AVIS :** Il ne sera peut-être pas nécessaire de couper les tuyaux galvanisés. Si un raccord union se trouve à proximité de l'emplacement où la pompe sera installée, le démonter, puis enlever (en le dévissant) le tuyau jusqu'au-delà de l'emplacement où la pompe sera posée. Couper de nouvelles longueurs de tuyau et les fileter de façon à permettre l'installation de la pompe.

**AVIS :** Les orifices d'aspiration femelle et de refoulement mâle de la pompe ont 1 pouce NPT de diamètre et ils sont filetés. En fonction du type des raccordements et du diamètre des tuyaux de l'habitation, il faudra peut-être poser des adaptateurs dans ces orifices.

7. Après avoir déposé la petite longueur de tuyau, on pourra vider la tuyauterie au-dessus de la coupe de façon à ne pas causer de dégâts d'eau. Mettre un seau sous le tuyau coupé alimentant l'habitation. Ouvrir le robinet et se trouvant le plus haut et laisser l'air s'introduire dans les tuyaux pour que l'eau coule dans le seau. Lorsque les tuyaux seront vides, fermer le robinet.
8. Installer les coudes sur la conduite d'arrivée d'eau principale, en les orientant vers la pompe.

**⚠ ATTENTION Risque d'inondation.** Des tuyaux souples risquent d'éclater et de causer une inondation. Il ne faut donc pas utiliser de tuyaux souples pour procéder à cette installation. N'utiliser que des tuyaux rigides conformes aux codes.

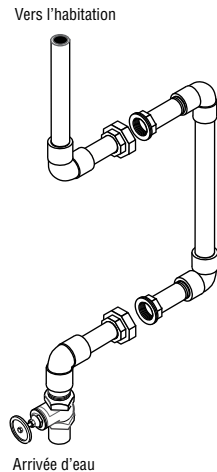
9. Brancher les tuyaux entre les coudes et la pompe, sans oublier de poser un raccord-union sur chaque conduite, un coude sur la conduite de refoulement et un clapet antiretour sur la conduite d'aspiration de la pompe. La flèche frappée sur le clapet de non-retour doit être orientée vers l'aspiration de la pompe (se reporter à la Figure 2.) Sur la conduite de refoulement, poser une soupape de sûreté qui permettra d'évacuer tout le débit de la pompe à une pression de 689 kPa (100 lb/po<sup>2</sup>). Si cette stipulation est contraire aux codes, respecter les codes. Un disjoncteur de sécurité doit également être installé sur la conduite de refoulement au cas où la pression de refoulement de la pompe chuterait. Les codes de la municipalité peuvent aussi exiger l'utilisation d'un tel disjoncteur de sécurité.



**Figure 2 : Installation type d'une pompe de surpression dans une habitation. Les raccords des tuyaux doivent être achetés séparément. Consulter les codes pour savoir quelle soupape de sûreté quel régulateur de pression doivent être utilisés.**

10. Une fois les tuyaux et les raccords installés et rendus étanches, ouvrir le robinet de la conduite d'arrivée d'eau principale de façon à mettre sous pression le système et pouvoir vérifier son étanchéité. Si on remarque des fuites, fermer le robinet de la conduite d'arrivée d'eau principale, ouvrir un robinet de l'habitation pour dissiper la pression dans les tuyaux, puis réparer la fuite. Répéter cette opération jusqu'à ce que le système soit complètement étanche (qu'il ne fuit plus).
11. Ouvrir un robinet pour chasser l'air des tuyaux et permettre à l'eau de couler. Dès que l'eau coulera normalement du robinet, la pompe sera pleine d'eau et complètement amorcée. Fermer le robinet.
12. Avant de poursuivre l'installation, et pour de plus amples détails concernant les fonctions du système, se reporter aux rubriques de cette notice intitulées *Branchements électriques*, *Servorégulateur*, *Fonctionnement normal de la pompe* et *Quand la pompe cesse-t-elle de fonctionner?*.
13. À ce point, on peut brancher pour la première fois le cordon électrique de la pompe dans la prise de courant. Après avoir branché la pompe dans la prise de courant électrique, la pompe démarrera et fonctionnera pendant quelques secondes.
14. Dès que la pompe cesse de fonctionner, c'est-à-dire après qu'elle se soit arrêtée automatiquement, le système est sous surpression. Inspecter de nouveau les tuyaux et les raccords pour s'assurer qu'il n'y a pas de fuites. En cas de fuites, débrancher le cordon électrique de la pompe de la prise de courant; fermer le robinet de la conduite d'arrivée d'eau principale, puis ouvrir un robinet de l'habitation pour dissiper la pression dans les tuyaux. Réparer la fuite. Répéter cette opération jusqu'à ce que le système soit complètement étanche (qu'il ne fuit plus).





**Figure 3 : Branchement type de la tuyauterie de dérivation pour permettre la dépose de la pompe au cas où elle devrait être réparée, sans avoir à fermer toute l'alimentation d'eau de l'habitation.**

### Branchements électriques

**⚠ AVERTISSEMENT Tension dangereuse.** Ne brancher cette pompe que dans une prise de courant adéquatement mise à la terre, protégée par un interrupteur de fuite à la terre et alimentée en courant alternatif de 115 volts, 60 Hz. Cette pompe est livrée avec un cordon électrique à 3 conducteurs dont un de mise à terre et une fiche à 3 broches. Ne pas modifier ni enlever la fiche. S'assurer que la prise de courant correspond, selon le cas, au National Electric Code ou au Code canadien de l'électricité. Pour ne pas subir de secousses électriques dangereuses, toujours garder le cordon électrique sec. Se reporter à la Figure 2.

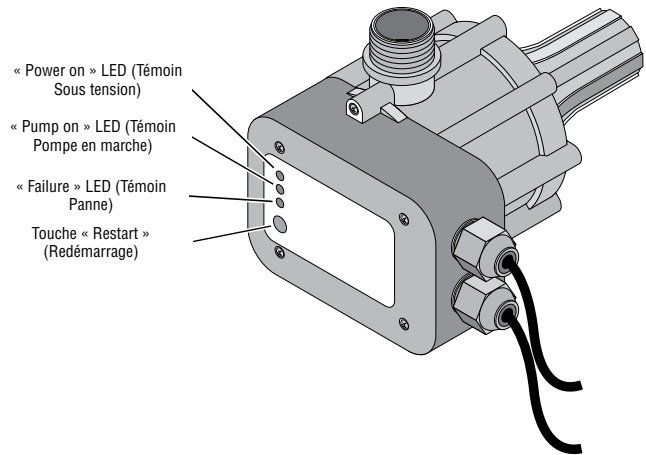
### Servorégulateur

Le servorégulateur est monté sur la pompe. Il protège la pompe contre :

- Un fonctionnement à sec;
- Des démarrages fréquents causés par de petites pertes d'eau dans le système;
- Les chutes de pression.

Le servorégulateur se caractérise par les témoins électroluminescents et les commandes suivants :

- Témoin électroluminescent « Power on » (Sous tension) : Il indique que l'appareil est électriquement branché et qu'il est alimenté en courant électrique. La pompe est prête à fonctionner.
- Témoin électroluminescent « Pump on » (Pompe en marche) : Il indique que la pompe fonctionne et qu'elle pompe de l'eau.
- Témoin électroluminescent « Failure » (Panne) : Il indique que la pompe n'est pas alimentée en eau.
- Touche « Restart » (Redémarrage) : Elle permet de réenclencher les caractéristiques sécurité qui se sont déclenchées et à la pompe de redémarrer.



**Figure 4 – Panneau des commandes du servorégulateur**

### Fonctionnement normal de la pompe de surpression à fonctionnement automatique

**⚠ AVERTISSEMENT Risque de brûlures.** Ne JAMAIS faire fonctionner la pompe à sec, sinon elle risque de surchauffer et les personnes qui la manipuleront risqueront de se brûler. L'impulseur et le joint de l'arbre de la pompe peuvent également être endommagés si la pompe fonctionne à sec, ce qui pourrait causer des fuites ou une inondation. De plus, la garantie sera annulée. Avant de démarrer la pompe, la remplir d'eau.

S'assurer que la pompe de surpression à fonctionnement automatique a été adéquatement installée, amorcée, que le tuyau d'aspiration n'est pas obstrué et qu'il est ouvert.

Brancher le cordon électrique de la pompe dans la prise de courant. Les témoins électroluminescents « Power on » et « Pump on » s'allumeront indiquant, respectivement, que le courant électrique alimente la pompe et que la pompe est prête à fonctionner.

La pompe démarrera et fonctionnera pendant quelques secondes après que la pression du système aura augmenté et que l'eau aura cessé de couler.

### Quand la pompe cesse-t-elle de fonctionner?

**Réglage de la pression/Plus de débit :** La pompe cesse de fonctionner et le témoin électroluminescent « Pump on » s'éteint pendant plusieurs secondes après :

- Que la pression du système est supérieure à la pression de démarrage, et
  - Que le ou les robinets de l'habitation auront été fermés.
- Ce fonctionnement est normal.

**Redémarrage :** Dès que le débit est supérieur à 1/4 gal/min ou dès que la pression chute sous le réglage de la pression de démarrage, la pompe redémarre et le témoin électroluminescent « Pump on » s'allume. La pompe continuera de fonctionner pendant plusieurs secondes après :

- Qu'elle aura atteint sa pression maximale, et
- Que le ou les robinets de l'habitation auront été fermés.



**AVIS :** Ce délai avant que la pompe s'arrête empêche des fonctionnements et des arrêts rapides dès qu'on ouvre et ferme rapidement un robinet (par exemple, pendant qu'on se brosse les dents).

**Chute de pression/Plus de débit :** Normalement, dès que la pompe démarre, la pression de l'eau augmente très rapidement et le servorégulateur détecte qu'il y a débit. S'il n'y a pas de débit d'eau pas et si la pression dans le système n'augmente pas, le servorégulateur a détecté « qu'il y a manque d'eau ». Il peut également détecter cette situation pendant que la pompe fonctionne si l'eau cesse de parvenir à la pompe. Pour protéger la pompe contre un fonctionnement à sec :

- Plusieurs secondes après que le servorégulateur aura détecté « qu'il n'y a pas d'eau », la pompe cessera de fonctionner.
- Le témoin électroluminescent « Pump on » s'éteindra et
- Le témoin électroluminescent « Failure » s'allumera.

**Redémarrage :** S'assurer que la conduite d'aspiration n'est pas obstruée et qu'elle est bien branchée sur une source d'eau.

- Appuyer sur la touche « Restart » et le tenir appuyé pendant 5 secondes.
  - Le témoin électroluminescent « Pump on » doit s'allumer, et
  - Le témoin électroluminescent « Failure » s'éteindra.
- Si le débit est adéquat, la pompe continuera de fonctionner pendant plusieurs secondes après qu'elle aura atteint la pression réglée et que le ou les robinets de l'habitation auront été fermés.

## Lubrification

Le moteur a été lubrifié à l'usine pour la durée des paliers. Le joint de l'arbre de la pompe est lubrifié et refroidi par l'eau.

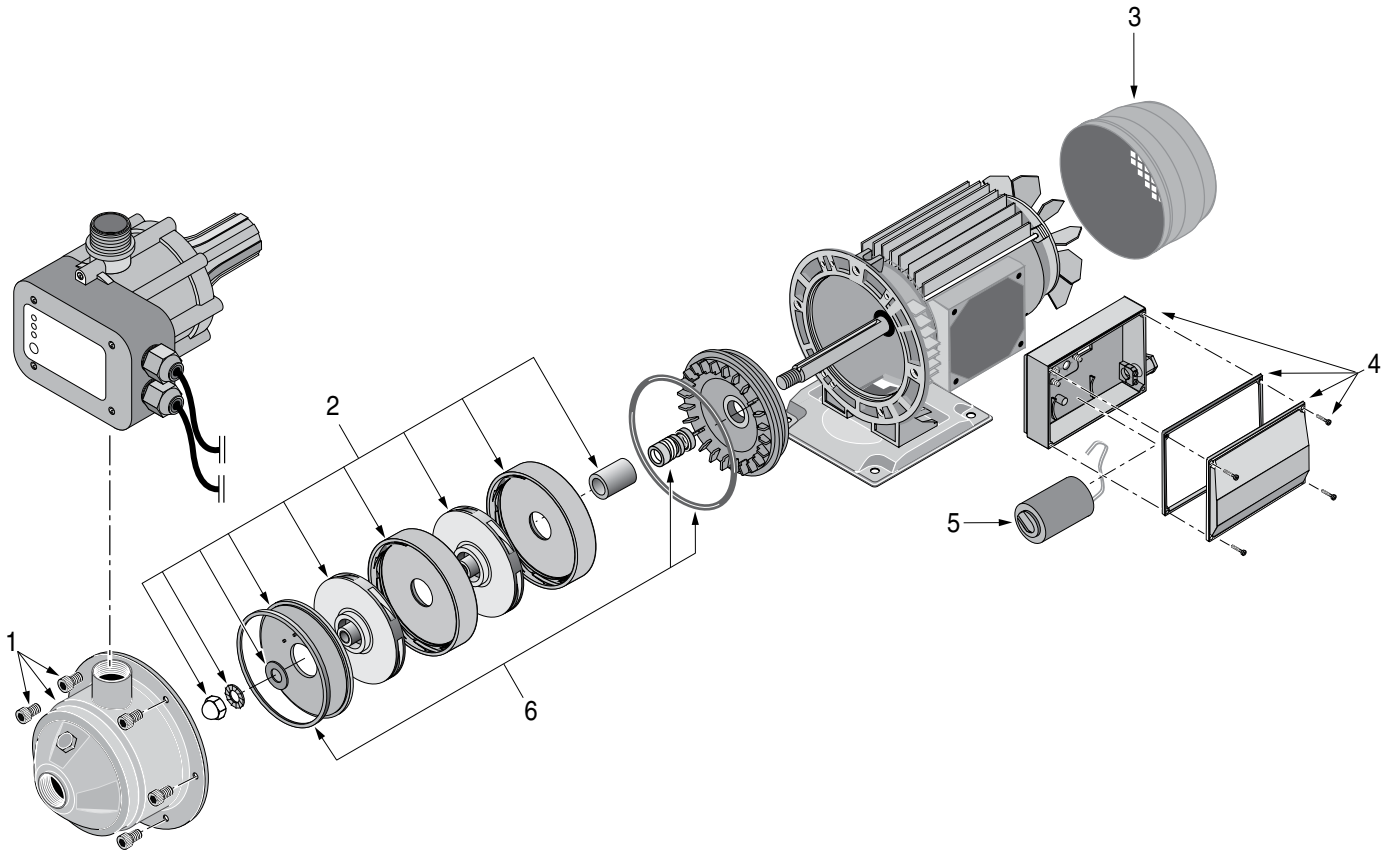
## Entretien de la pompe

**⚠ AVERTISSEMENT Tension dangereuse.** Risque de secousses électriques, de brûlures, voire de mort. Avant d'intervenir sur la pompe et le servorégulateur, débrancher le cordon électrique de la prise de courant. Ne pas manipuler la pompe ni le servorégulateur et ne pas essayer d'intervenir sur la pompe si on a les mains humides ou si l'on se tient sur un plancher mouillé ou humide.

Le moteur est doté d'un limiteur de surcharge à réenclenchement automatique. Si le moteur surchauffe, le limiteur de surcharge interrompra le courant électrique alimentant la pompe pour empêcher qu'elle soit endommagée; le limiteur de surcharge se réenclenchera automatiquement dès que le moteur aura refroidi. Si le limiteur de surcharge se déclenche de façon répétitive, vérifier la pompe et déterminer la cause de cet incident (basse tension, impulseur bouché, etc.).

## Diagnostic des pannes

Symptômes	Causes possibles	Mesures correctives
Le moteur ne démarre pas.	Le fusible est sauté ou le disjoncteur est disjoncté.	COUPER LE COURANT; Remplacer le fusible ou réenclencher le disjoncteur.
	Le cordon électrique n'est pas branché dans une prise de courant.	Brancher le cordon électrique dans une prise de courant mise à la terre, alimentée en courant alternatif de 115 volts.
Le moteur chauffe et le limiteur de surcharge se déclenche ou bien le moteur ne fonctionne pas et ne fait que « murmurer ».	La tension est trop basse.	Vérifier la tension alimentant la pompe.
	L'impulseur ne tourne pas librement.	Vérifier l'impulseur pour s'assurer qu'il tourne librement et qu'il n'est pas bouché.
Le moteur fonctionne mais la pompe ne débite pas d'eau.* <small>* Débrancher le cordon électrique de la pompe de la prise de courant, puis ouvrir un robinet pour confirmer que l'eau circule dans le système.</small>	La pompe n'est pas adéquatement amorcée	Réamorcer la pompe conformément aux instructions.
	Le filtre à eau est bouché.	Arrêter la pompe. Fermer l'arrivée d'eau et remplacer la cartouche filtrante. Le filtre doit être posé sur le côté refoulement de la pompe.
	Le robinet de refoulement est fermé.	Ouvrir le robinet.
	Le diamètre des tuyaux est trop petit.	Remplacer les tuyaux par des tuyaux du même diamètre que les orifices d'aspiration et de refoulement de la pompe.
	L'impulseur est bouché.	Nettoyer l'impulseur.
	Les tuyaux sont gelés.	Les dégeler.
*La pompe ne débite pas à son débit maximal.	Les tuyaux rigides sont corrodés	Les remplacer par des tuyaux rigides en plastique ou des tuyaux en acier neufs.
	Le diamètre des tuyaux est trop petit.	Remplacer les tuyaux par des tuyaux du même diamètre que les orifices d'aspiration et de refoulement de la pompe.
	La pompe n'est pas suffisamment alimentée en eau.	Utiliser un tuyau d'arrivée d'eau de diamètre plus gros; vérifier le système de pompage du puits.
	Basse tension.	S'assurer que la prise de courant est alimentée en courant alternatif de 115 volts.



Ref.	Désignation	Qté.	No. de pièce
1	Corps de la pompe (comprend les boulons)	1	FPP1801
2	Trousse des pièces internes	1	FPP1870
3	Carter du ventilateur	1	721S1090
4	Trousse de boîte de câblage/Couvercle/Joins	1	FPP1802
5	Condensateur	1	171P5750
6	Trousse de joints d'arbre et de joints toriques	1	FPP1850

## Instrucciones importantes de seguridad

**Guarde estas instrucciones** - Este manual contiene instrucciones importantes que se deben seguir durante la instalación y el mantenimiento del bombas de sumidero. Guarde este manual para referencia futura.

▲ Este es un símbolo de alerta sobre la seguridad. Cuando vea este símbolo en su bomba o en este manual, busque para ver si hay alguna de las siguientes palabras de señal y esté alerta a la posibilidad de lesiones personales.

▲ **PELIGRO** indica un riesgo que, de no evitarse, *provocará* la muerte o lesiones de gravedad.

▲ **ADVERTENCIA** indica un riesgo que, de no evitarse, *podría provocar* la muerte o lesiones de gravedad.

▲ **PRECAUCIÓN** indica un riesgo que, de no evitarse, *podría provocar* lesiones leves o moderadas.

**AVISO** hace referencia a una práctica no relacionada con una lesión física.

Mantenga las etiquetas de seguridad en buenas condiciones. Reemplace las etiquetas de seguridad faltantes o dañadas.

Asegúrese de que los talleres sean "a prueba de niños", use candados e interruptores maestros; retire las llaves de arranque/encendido.

## Instrucciones generales de seguridad

- Para evitar el riesgo de lesiones corporales graves y daños materiales, lea con atención las instrucciones de seguridad antes de instalar esta bomba.
- Observe los códigos de plomería, construcción y electricidad tanto locales como nacionales cuando instale la bomba. Use tubos rígidos cuando instale esta bomba.
- ▲ **ADVERTENCIA** **Presión peligrosa.** El cuerpo de la bomba puede explotar si ésta se usa para reforzar presión por encima de los 100 psi (689 kPa). Instale una válvula de desahogo de presión en la línea de descarga, capaz de pasar el caudal total de la bomba a 100 psi (689 kPa). Si esta disposición está en conflicto con el código, siga las instrucciones del código. No use esta bomba con una presión de admisión superior a 50 psi (345 kPa).
- Se recomienda instalar un interruptor de cierre de seguridad por baja presión, para apagar la bomba en caso de una presión de descarga baja debido a la interrupción del suministro de agua entrante, a una tubería rota, etc.
- Nunca deje marchar la bomba en seco. Esto podría dañar las piezas internas de la bomba, recalentarla (lo que provocaría quemaduras a las personas que estuviesen trabajando con la bomba o reparándola), y anulará la garantía.
- ▲ **ADVERTENCIA** **Riesgo de incendio o de explosión.** Para evitar el riesgo de incendio y explosión, bombee agua solamente con esta bomba. No bombee líquidos ni sustancias químicas inflamables. No use la bomba cerca de luces piloto de gas o en áreas en presencia de vapores químicos o de gases. El uso de una bomba eléctrica con líquidos que no sean agua o en una atmósfera que contenga vapores químicos o gases, podrá inflamar esos líquidos o gases, provocando lesiones o muerte debido a una explosión y/o un incendio.

- ▲ **ADVERTENCIA** **Peligro de quemaduras.** Si el agua queda atrapada en la bomba durante el funcionamiento, ésta se puede convertir en vapor. El vapor atrapado puede conducir a una explosión y a quemaduras. Nunca deje marchar la bomba con la llave de salida cerrada u obstruida.
- ▲ **ADVERTENCIA** **Peligro de quemaduras.** No toque un motor en funcionamiento. Los motores modernos están diseñados para funcionar a altas temperaturas. Para evitar quemaduras durante las reparaciones y el mantenimiento de la bomba, deje que se enfríe durante 20 minutos después de apagarla y antes de intentar manipularla.

## Instrucciones de seguridad asociadas con la electricidad

La bomba viene provista de un cordón de 3 conductores con conexión a tierra. Conéctela solamente a un tomacorriente debidamente puesto a tierra y protegido por un "GFCI" (disyuntor diferencial). No levante la bomba por medio del cordón eléctrico.

▲ **ADVERTENCIA** **Tensión peligrosa.** Puede provocar choque eléctrico, quemaduras o muerte. Conecte la bomba a tierra antes de conectarla a una fuente de suministro de energía. Desconecte la corriente antes de trabajar con la bomba, con el motor o con el tanque.

- La bomba y el controlador no son sumergibles. Mantenga el motor seco en todo momento. No lave el motor. No lo sumerja. Proteja el motor en situaciones de clima lluvioso.
- Si usa un cordón de alargue, utilizar sólo un aprobado interior / exterior, de 3 hilos, 14 GA, cable de conexión a tierra tipo. No permita que ninguna parte del cordón o los extremos del receptáculo queden apoyados en el agua o en lugares húmedos.
- Desenchufe la bomba antes de repararla o de realizar trabajos de mantenimiento. Para evitar choques fatales, proceda de la siguiente manera si es necesario reparar o realizar trabajos de mantenimiento en la bomba.
- Desconecte la corriente a la caja de salida de la bomba antes de desenchufarla. Después de haberla desenchufado, deje que la bomba se enfríe durante 20 minutos antes de tratar de trabajar en la misma.
- Proceda con extrema cautela cuando cambie los fusibles. Para reducir la posibilidad de choques eléctricos fatales, NO se pare sobre el agua ni ponga sus dedos en el portafusibles.
- Conecte a tierra la caja eléctrica de salida.
- Enchufe la bomba y el controlador en un tomacorriente conectado a tierra y protegido por un Disyuntor Diferencial ("GFCI" según sus siglas en inglés).

**Retener el recibo original a fin de determinar la elegibilidad para la garantía**

**Garantía limitada**

Esta Garantía Limitada entra en vigor el 1 de junio de 2011 y sustituye toda garantía sin fecha o garantía con fecha anterior al 1 de junio de 2011.

SIMER le garantiza al comprador consumidor original (el “Comprador” o “Usted”) de sus productos, que éstos estarán libres de defectos en materiales y en mano de obra por un período de doce (12) meses, a partir de la fecha de la compra original del consumidor. Si dentro de los doce (12) meses a partir de la fecha de la compra inicial del consumidor, Será reparado o reemplazado a opción de la SIMER, sujeto a los términos y condiciones establecidos en la presente. Tome nota de que esta garantía limitada cubre defectos de manufactura solamente y no el desgaste común. Todos los aparatos mecánicos periódicamente necesitan repuestos y servicio para un funcionamiento correcto. Esta garantía limitada no cubre las reparaciones que se realicen cuando el uso normal haya agotado la vida útil de una pieza o del aparato.

Es necesario retener el recibo de compra original y la etiqueta de información de la garantía a fin de determinar la elegibilidad para la garantía. La elegibilidad se basa en la fecha de compra del producto original - no en la fecha del reemplazo bajo la garantía. La garantía es limitada y cubre solamente la reparación o el reemplazo del producto original adquirido, no del producto reemplazado (es decir que se permite un reemplazo por compra bajo la garantía). El comprador pagará todos los costos de remoción, instalación, mano de obra y envío necesarios, así como todo costo adicional asociado.

Si necesita piezas o resolución de problemas, NO regrese el producto a la tienda minorista. Llame el Servicio a la Clientela de SIMER al 1-800-468-7867.

Las reclamaciones hechas bajo esta garantía se realizarán mediante la devolución del producto (a excepción de las bombas cloacales - ver a continuación) al concesionario de venta al público en donde se haya adquirido o a la fábrica, inmediatamente después de haber descubierto cualquier presunto defecto. SIMER entonces tomará la medida correctiva tan pronto como sea razonablemente posible. No se aceptarán solicitudes de servicio, si se reciben más de 30 días después del vencimiento de esta garantía.

La garantía no es transferible y no cubre productos utilizados en aplicaciones comerciales o de alquiler.

**Bombas cloacales**

NO devuelva una bomba cloacal (que se haya instalado) a su tienda minorista. Comuníquese con el Departamento de Atención al Cliente de SIMER. Las bombas cloacales que hayan estado en servicio y se hayan removido pueden representar un peligro de contaminación.

Si su bomba cloacal ha fallado:

- Use guantes de caucho cuando manipule la bomba;
- Para los fines de la garantía, devuelva la etiqueta del cordón de la bomba y el recibo de compra original a la tienda minorista;
- Descarte la bomba cumpliendo con todas las normas locales que correspondan para su eliminación.

**Excepciones para la garantía limitada de doce (12) meses**

Producto	Período de garantía
BW85P, M40P	90 días
2115, 2300, 2310, 2330, 2943, 2955, 2956, 2957, A5500	2 años
Bombas de pozo sumergibles de 4”, 2945, 2958, 2975PC, 3075SS, 3963, 3984, 3995	3 años
Tanque precargado del sistema de agua, 3985, 3986, 3988, 3989, 5910, 5950, 5955, 5965, 5975	5 años

**Términos y condiciones generales; Limitación de recursos**

Usted deberá pagar por todos los gastos de mano de obra y de envío necesarios para reemplazar el producto cubierto por esta garantía. Esta garantía no se aplicará en las siguientes situaciones: (1) caso de fuerza mayor (2) productos que, a sólo juicio de SIMER hayan sido sometidos a negligencia, abuso, accidente, mala aplicación, manejo indebido o alteraciones; (3) fallas debido a instalación, operación, mantenimiento o almacenamiento inadecuados; (4) aplicaciones, usos o servicios que no sean normales o aprobados; (5) fallas provocadas por corrosión, herrumbre u otros materiales extraños en el sistema, o una operación a presiones que excedan los máximos recomendados.

Esta garantía establece la única obligación de SIMER y el recurso exclusivo del Comprador con respecto a los productos defectuosos. SIMER NO SE HARÁ RESPONSABLE DE NINGÚN DAÑO CONSECUENTE, INCIDENTAL O CONTINGENTE.

LAS GARANTÍAS LIMITADAS QUE ANTECEDEN SON EXCLUSIVAS Y EN LUGAR DE TODA OTRA GARANTÍA EXPLÍCITA E IMPLÍCITA, INCLUYENDO, PERO SIN LIMITARSE A LAS GARANTÍAS IMPLÍCITAS DE COMERCIALIZACIÓN E IDONEIDAD PARA UN FIN ESPECÍFICO. LAS GARANTÍAS LIMITADAS QUE ANTECEDEN NO SE EXTENDERÁN MÁS ALLÁ DEL PERÍODO DE DURACIÓN INDICADO EN LA PRESENTE.

Algunos Estados no permiten la exclusión o limitación de daños incidentales o consecuentes o de limitaciones de tiempo sobre garantías implícitas, de modo que es posible que las limitaciones o exclusiones que preceden no correspondan en su caso. Esta garantía le otorga derechos legales específicos y es posible que Usted también tenga otros derechos que pueden variar de un Estado al otro.

**SIMER • 293 Wright Street • Delavan, WI U.S.A. 53115**

**Teléfono: 1-800-468-7867 • Fax: 1-800-390-5351 • Sitio Web: [simerpump.com](http://simerpump.com)**

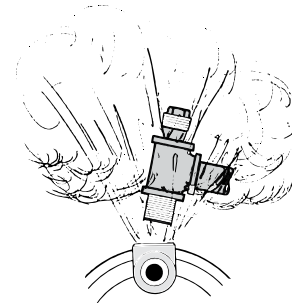
Use bomba automática de refuerzo “Ace-In-The-Hole” para reforzar la presión del agua de servicio municipal. Las conexiones de plomería se describen en este manual.

## Información general

- Bombee solamente agua limpia con su bomba automática de refuerzo “Ace-In-The-Hole”. Para evitar obstruir la bomba y dañar el sello del eje, no bombee agua que contenga partículas sólidas, materiales extraños, arena, limo o sustancias abrasivas.
- Si está reforzando la presión de una bomba de pozo, verifique que las válvulas checadoras del sistema estén bien ajustadas. Si cae la presión del sistema cuando la bomba de pozo no está marchando, la bomba automática de refuerzo puede encenderse y comenzar el ciclo. Un ciclo excesivo o rápido puede dañar el motor y anulará la garantía.
- No use compuestos para juntas de tuberías en los orificios de la bomba; use solamente cinta de PTFE para sellar las roscas. El compuesto para juntas de tuberías dañará los materiales del controlador.  
**AVISO:** El tapón de cebadura ya tiene un aro tórico instalado y no es necesario sellarlo.
- Ajuste a mano todas las juntas de las tuberías a la bomba más 1-1/2 vueltas (no más).  
Si ajusta demasiado, puede romper la bomba y se anulará la garantía.
- Las tuberías y los accesorios a la bomba deben ser por lo menos de 1 pulgada de diámetro nominal. Las tuberías o los accesorios menores de 1 pulgada de diámetro reducirán el rendimiento y pueden dañar la bomba debido a la cavitación.
- Verifique que no hayan fugas de aire ni bolsas de aire en la tubería de aspiración. Una fuga de aire en la tubería de aspiración puede hacer penetrar aire, aunque no se observen fugas de agua. Las fugas de aire y las bolsas de aire evitarán que la bomba se cebe debidamente, y puede reducir su rendimiento en forma considerable.
- El montaje de la bomba debe ser nivelado, sólido, tan cerca de la fuente de agua como sea posible, y protegido contra el exceso de humedad y contra inundaciones.
- Use el trayecto más corto posible para la tubería y la menor cantidad posible de accesorios. Trayectos de tubería largos y numerosos accesorios aumentan la fricción y reducen el flujo del agua.
- Apoye el peso de la tubería y de la bomba.
- No permita que la bomba, el controlador de presión ni ningún componente del sistema se congelen. El congelamiento dañará la bomba y anulará la garantía.
- Inspeccione periódicamente la bomba, el controlador de presión y los componentes del sistema.

**AVISO:** El código local puede especificar el uso de una válvula de desahogo de presión o de un regulador de presión.

**⚠ PRECAUCIÓN** **Riesgo de fugas y de inundación.** No use esta bomba con una presión de admisión inferior a 10 psi (70 kPa) o superior a 50 psi (345 kPa).



**Figura 1 – No deje marchar la bomba con la admisión cerrada**

**⚠ ADVERTENCIA** **Peligro de presión y riesgo de explosión.** Esta bomba puede desarrollar una presión alta si se hace funcionar con la descarga cerrada u obstruida. Para una operación segura, recomendamos lo siguiente:

Instale una válvula de desahogo de presión en la línea de descarga, capaz de pasar el caudal total de la bomba a 100 psi (689 kPa). Si esta disposición está en conflicto con el código, siga las instrucciones del código. Deje que la descarga de la válvula de desahogo vaya hacia un desagüe del piso o a otro desagüe que permita una eliminación adecuada.

## Instalación

**⚠ PRECAUCIÓN** **Riesgo de inundación.** Verifique que toda la plomería y los accesorios estén clasificados para resistir la presión del sistema que se espera que genere la bomba.

1. Decida cuál es el mejor lugar para instalar la bomba. Tenga en cuenta lo siguiente:
  - debe estar cerca de la línea principal de suministro de agua.
  - la bomba debe ser accesible
  - el cordón eléctrico debe llegar hasta un tomacorriente
  - las luces DEL del controlador deben ser visibles
  - facilidad de plomería
  - ahorro de espacio

**AVISO:** Se recomienda (y es posible que su código local así lo requiera) instalar un interruptor de cierre de seguridad por baja presión en la descarga de la bomba para apagar la corriente en caso de una baja presión de descarga (provocada por una tubería rota, etc.).

2. Instale la bomba sobre una base firme en el lugar que haya decidido.
3. Escoja un momento en que pueda cerrar el suministro de agua a la casa mientras instala la bomba automática de refuerzo.
4. Cierre la válvula principal de suministro de agua a la casa.
5. Abra cualquier grifo para descargar la presión del agua en la plomería. Una vez que haya descargado la presión del agua, cierre el grifo.



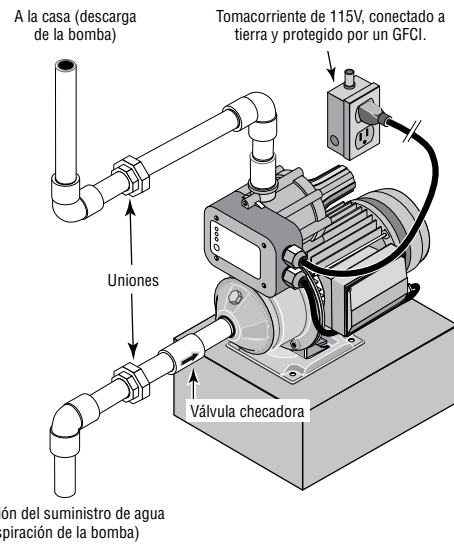
6. LEA COMPLETAMENTE EL PASO 6 ANTES DE COMENZAR A TRABAJAR EN LA BOMBA. Usted debe sacar un largo de la tubería de la línea de suministro principal de agua para permitir la instalación de los codos para la bomba automática de refuerzo. Los lugares de los cortes deben tener en cuenta el tamaño de los codos que se estén usando, el largo de las roscas en las juntas fileteadas o la superposición en las juntas adheridas o soldadas, etc. Coloque los codos en línea con las roscas de aspiración y descarga de la bomba. Puede haber cierta fuga de agua mientras se esté cortando la tubería. Saque las rebabas o virutas creadas por la herramienta de corte.

**AVISO:** Es posible que no se necesite cortar las tuberías galvanizadas. Si hay una unión cerca del lugar de la bomba, desarme la unión y saque (destornille) la tubería hasta pasar el lugar de ubicación de la bomba. Corte y enrosque nuevos largos de tubería para permitir la instalación de la bomba.

**AVISO:** Tanto los orificios hembra de aspiración como los orificios macho de descarga tienen roscas NPT de 1 pulgada. Según el tipo de conexión que usted tenga y el tamaño de la tubería de su casa, es posible que deba instalar adaptadores en los orificios.

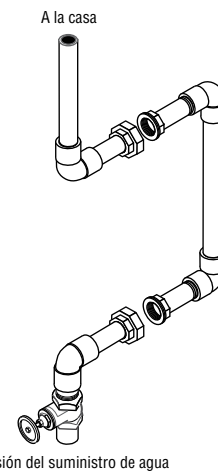
7. Una vez que haya sacado un trozo pequeño de tubería, podrá drenar la tubería que se encuentre por encima del corte para evitar que el agua ensucie el área. Coloque un balde debajo de la abertura que conduce hacia la casa. Abre el grifo más alto en el sistema para dejar entrar el aire, de manera que el agua pueda caer y salir de las tuberías hacia el balde. Una vez que haya drenado, cierre el grifo.
8. Instale los codos en la línea de suministro principal de agua. Apúntelos hacia la bomba.
 

**⚠ PRECAUCIÓN Riesgo de explosión de la manguera y de inundación.** No haga la instalación con mangueras flexibles. Use solamente tubos rígidos que cumplan con las disposiciones del código.
9. Instale la tubería desde los codos hasta la bomba, incluyendo una unión en cada línea, un codo en la línea de descarga y una válvula de retención en la línea de aspiración de la bomba. La flecha en la válvula checkadora debe apuntar hacia la aspiración de la bomba (consulte la Figura 2). Instale una válvula de desahogo de presión en la línea de descarga, capaz de pasar el caudal total de la bomba a 100 psi (689 kPa). Si esta disposición está en conflicto con el código, siga las instrucciones del código. También se debería instalar un interruptor de cierre de seguridad por baja presión en la línea de descarga, que puede ser exigido por sus códigos locales.
10. Con todas las tuberías y los accesorios instalados y sellados herméticamente, abra lentamente el suministro principal de agua para presurizar el sistema y verificar que no haya fugas. Si aparecen fugas, cierre la válvula principal, abra un grifo para descargar la presión y repare la fuga. Repita este paso hasta que ya no haya fugas en el sistema.
11. Abra un grifo para descargar el aire de las tuberías y dejar que corra el agua. Cuando observe que sale un chorro firme de agua del grifo, la bomba estará llena de agua y completamente cebada. Cierre el grifo.



**Figura 2: Instalación típica de refuerzo en un entorno doméstico. Adquiera los accesorios de plomería por separado. Consulte el código con los requerimientos para la válvula de desahogo y el regulador de presión.**

12. Antes de continuar con la instalación consulte las secciones de este manual tituladas *Conexiones Eléctricas*, *Controlador automático de presión*, *Funcionamiento normal*, y *Cuándo deja de funcionar la bomba*, para obtener información detallada sobre cómo funciona el sistema.
13. Ahora usted puede enchufar la bomba por primera vez. Cuando enchufe el cordón eléctrico, la bomba se encenderá y marchará por unos segundos.
14. Cuando la bomba deje de marchar (después de apagarse automáticamente), el sistema estará a las presiones de refuerzo. Inspeccione la tubería y los accesorios nuevamente para verificar que no haya fugas. Si aparecen fugas, desenchufe la bomba, cierre la válvula principal de suministro de agua, abra un grifo para descargar la presión y repare la fuga. Repita este paso hasta que no haya más fugas en el sistema.



**Figura 3: Tubería típica de desviación que se necesita para permitir la remoción de la bomba para reparaciones sin cerrar el sistema de agua doméstico.**

## Conexiones eléctricas

**⚠ ADVERTENCIA** **Riesgo de choque eléctrico peligroso o fatal.** Enchufe la bomba solamente en un tomacorriente de 115 voltios, 60 ciclos, conectado a tierra y protegido por un Disyuntor Diferencial (“GFCI” según sus siglas en inglés). La bomba viene equipada con un cordón eléctrico trifilar y un enchufe conectados a tierra. No modifique ni saque el enchufe. Asegúrese de que el tomacorriente cumpla con las normas del National Electric Code o del Canadian Electrical Code, según corresponda. Para evitar el peligro de choque eléctrico, mantenga el cordón seco en todo momento. Consulte la Figura 2.

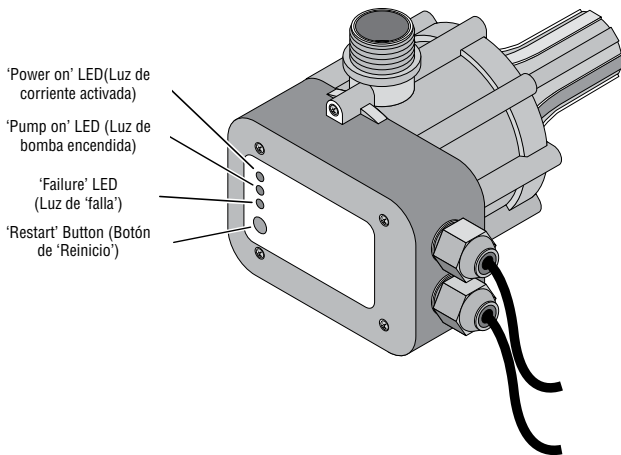
## Controlador automático de presión

El Controlador Automático de Presión se monta sobre la bomba y la protege contra:

- funcionamiento en seco;
- arranques frecuentes provocados por pérdidas pequeñas de agua en el sistema;
- caída de presión.

El Controlador Automático de Presión tiene las luces DEL (diodo emisor de luz) y los controles siguientes:

- Luz de ‘Power on’ (Corriente activada): indica que la unidad está conectada eléctricamente y que hay tensión eléctrica. La bomba está lista para funcionar.
- Luz de ‘Pump on’ (Bomba encendida): indica que la bomba está marchando y bombeando agua.
- Luz de ‘Failure’ (Falla): indica que no se detecta agua desde la bomba.
- El botón de ‘Restart’ (Reinicio), reposiciona todos los medios de seguridad que se hayan disparado y permite que la bomba se vuelva a encender.



**Figura 4 – Tablero de control de controlador automático de presión**

## Funcionamiento normal de la bomba automática de refuerzo

**⚠ ADVERTENCIA** **Peligro de quemaduras.** NUNCA deje marchar la bomba en seco. Si se deja que la bomba marche sin agua, ésta se podrá recalentar y podrá quemar a las personas que estén manipulando la bomba. También podrá dañar el impulsor y el sello, provocando fugas o inundación, y anulará la garantía. Llene la bomba con agua antes de encenderla.

Verifique que la bomba automática de refuerzo se haya instalado y cebado debidamente (Consulte la Página 4), y que la tubería de aspiración no esté obstruida y esté abierta.

Enchufe la bomba. Se encenderán las luces de ‘Power on’ y ‘Pump on’, indicando respectivamente, que hay tensión eléctrica y que la bomba está lista para funcionar.

La bomba se encenderá y continuará funcionando hasta unos segundos después de que la presión del sistema haya ascendido y se haya detenido el flujo.

## ¿Cuándo deja de funcionar la bomba?

**Punto de referencia de presión/ sin flujo:** La bomba dejará de funcionar y la luz de ‘Pump on’ se apagará por varios segundos después de que:

- La presión del sistema sea superior a la presión de inicio, y
  - El flujo se haya detenido.
- Este es el funcionamiento normal.

**Reinicio:** Un flujo de agua en el sistema mayor de 1/4 gpm o una caída en la presión por debajo del punto de referencia de la presión inicial, hará que la bomba reinicie su ciclo y se encienda la luz de ‘Pump on’. La bomba continuará funcionando hasta varios segundos después de que:

- Llegue a la máxima presión de la bomba, y
- el flujo se haya detenido.

**AVISO:** La demora de la bomba en apagarse evita la creación de un ciclo rápido cuando los grifos de agua se abren y cierran rápidamente (por ejemplo, cuando uno se lava los dientes, etc.).

**Caída de presión / Sin flujo:** Normalmente, cuando la bomba inicia el bombeo, rápidamente genera presión y flujo. Si no hay flujo y la presión no sube, detecta un estado de “falta de agua”. También puede detectar esto durante el funcionamiento, si falla el suministro de agua hacia la bomba. Para proteger a la bomba y evitar que marche en seco:

- Varios segundos después de detectar “no hay agua”, la bomba dejará de funcionar,
- Se apagará la luz de ‘Pump on’, y
- La luz de ‘Failure’ se encenderá.

**Reinicio:** Asegúrese de que la línea de aspiración no esté obstruida y que esté conectada a una fuente de suministro de agua.

- Oprima y sostenga el botón de 'Restart' durante 5 segundos.
- La luz de 'Pump on' se deberá encender, y
- La luz de 'Failure' se apagará.

Si el flujo es adecuado, la bomba funcionará hasta varios segundos después de que alcance la presión del punto de referencia y el flujo se detenga.

## Lubricación

El motor viene lubricado de fábrica para la vida útil de los cojinetes. El sello de la bomba se enfría por agua y es auto lubricante.

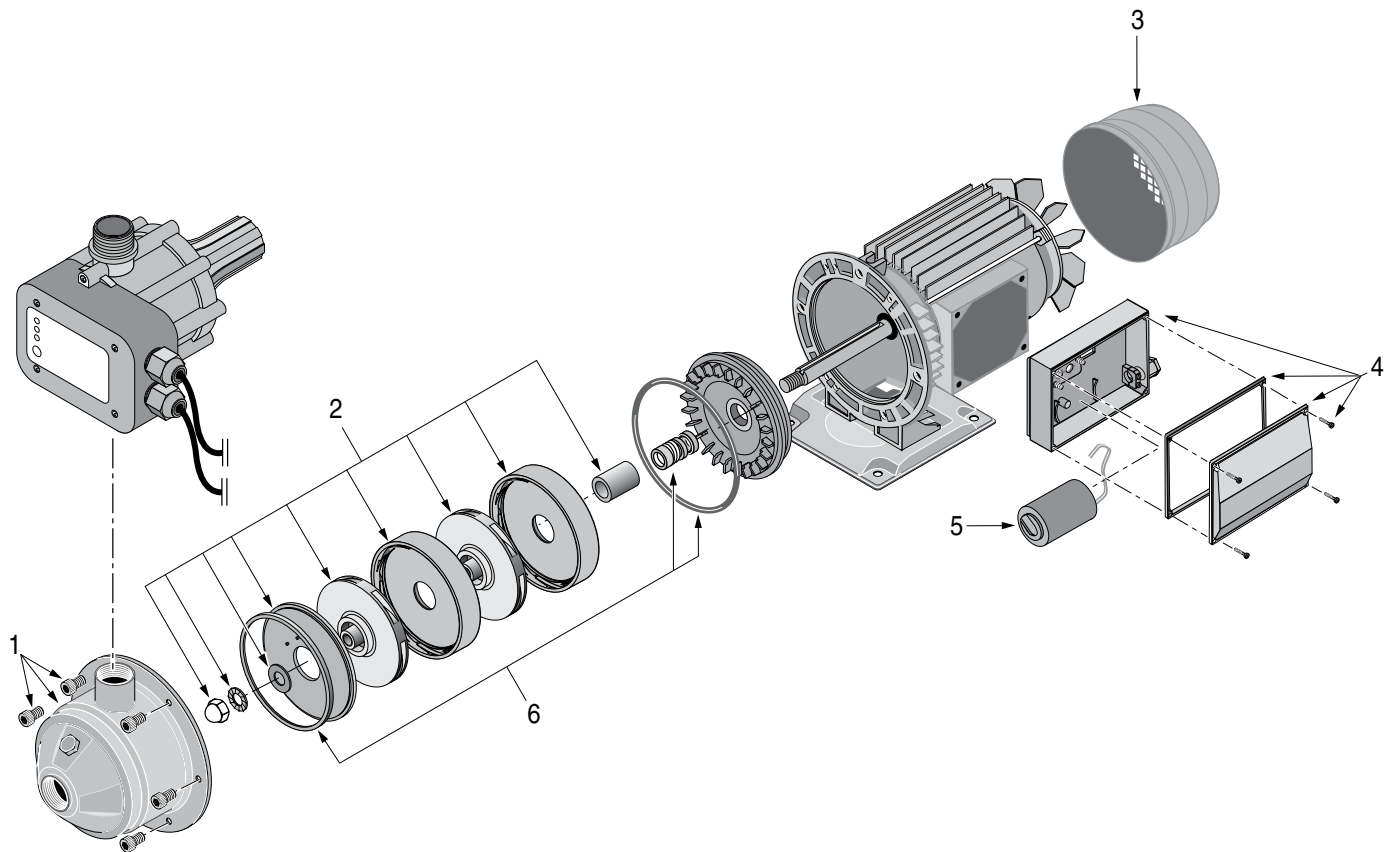
## Servicio de la bomba

**⚠ ADVERTENCIA Tensión peligrosa.** Puede provocar choques, quemaduras o muerte. Desenchufe la bomba y el controlador antes de realizar trabajos de reparación o mantenimiento en los mismos. No maneje la bomba ni el controlador, ni trate de trabajar en la bomba con manos mojadas o cuando esté parado sobre un piso mojado o húmedo.

El motor tiene un protector de sobrecarga térmico que se reposiciona automáticamente. Si se recalienta el motor, el protector de sobrecarga cortará la corriente para evitar daños y se reposicionará después de que el motor se haya enfriado. Si el protector de sobrecarga se dispara repetidamente, inspeccione la bomba para determinar la causa (baja tensión, impulsor obstruido, etc.).

## Localización de fallas

Síntoma	Causa(s) posible(s)	Medida correctiva
El motor no funciona.	El fusible está quemado o se disparó el disyuntor.	DESCONECTE LA CORRIENTE: Cambie el fusible o reposicione el disyuntor.
	El cordón eléctrico no está enchufado.	Enchufe en un tomacorriente de 115 voltios conectado a tierra.
El motor marcha en caliente y el protector de sobrecarga se dispara, o el motor no marcha y sólo zumba.	La tensión es demasiado baja.	Verifique la tensión de suministro a la bomba.
	El impulsor no se está moviendo con libertad.	Verifique que el impulsor se esté moviendo libremente y que no esté obstruido.
El motor marcha pero no descarga agua.*  * Desenchufe la bomba; luego abra los grifos y observe si el agua corre a través del sistema.	Cebadura inadecuada.	Vuelva a cebar según las instrucciones.
	Filtro de agua obstruido.	Detenga la bomba, cierre el suministro de agua y cambie el cartucho de filtro. El filtro se debe instalar del lado de la descarga de la bomba.
	Válvula de descarga cerrada.	Abra la válvula.
	Tubería de tamaño demasiado pequeño.	Vuelva a conectar las tuberías usando una tubería del mismo tamaño que los orificios de aspiración y de descarga en la bomba.
	El impulsor está obstruido.	Limpie el impulsor.
* La bomba no descarga agua a toda su capacidad.	Las tuberías están congeladas.	Descongele las tuberías.
	Tuberías corroídas.	Reemplace con tuberías nuevas de plástico rígido o de acero.
	La tubería es de un tamaño demasiado pequeño.	Vuelva a conectar las tuberías usando una tubería rígida del mismo tamaño que los orificios de aspiración y de descarga en la bomba.
	No se suministra suficiente agua a la bomba.	Agrande la tubería de admisión; inspeccione el sistema de la bomba de pozo.
	Baja tensión.	Verifique que el tomacorriente sea de 115 voltios.



Ref.	Descripción	Cant.	No. de piezas
1	Juego de unidad de bomba (incluye pernos)	1	FPP1801
2	Juego de repuestos internos	1	FPP1870
3	Rejilla de protección	1	721S1090
4	Juego de caja de cables / Cubierta / Empaquetadura	1	FPP1802
5	Capacitor	1	171P5750
6	Juego de sello del eje y aro tórico	1	FPP1850





