



# MARINE PRODUCT DATA SHEET

OEM: 277-3100 (3" Blower)  
AFTERMARKET: 277-3110 (3" Blower)

SHURflo has developed a unique nylon fan that includes 6 blades to ensure high performance and efficient ventilation. Installation of the Yellowtail™ Blower is made easy with extended barbs and slotted mounting bracket.

### TYPICAL APPLICATIONS

Ventilation for engine compartments, bilges, galleys and head closets. For other applications contact SHURflo

### BLOWER

Type: In-line Blower  
Port (Output): 3" Barb  
Port (Inlet): 3" Barb  
Fan: 6 Blade

### ELECTRICAL

Motor: 12VDC Permanent Magnet  
Protection: External Fuse (Not supplied)  
Leads: 12 In (0.3M) Tinned Wire  
Fuse: 5 Amp Recommended  
Control: No Control

### MATERIALS

Housing: ABS Plastic  
Fan: Nylon 6/6 30% Glass Filled

### APPROVALS

ISO 9097 Marine, Ignition Protected, CE,  
USCG 183.410 Compliant, NMMA Type Accepted, ABYC

### WARRANTY

3 Year Limited Warranty  
See SB-1050 For Full Warranty Details

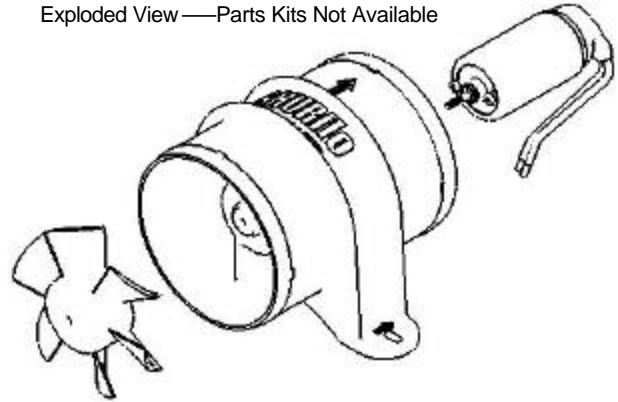
### SHIPPING

Net Weight: 0.8 Lb [0.36 Kg] each  
Carton Weight: 29 Lb [13.15 Kg]  
Blowers in carton: 30  
Carton Size: 24"L x18 "W x 11"H  
[60.9 cm x 45.7 cm x 27.9 cm]

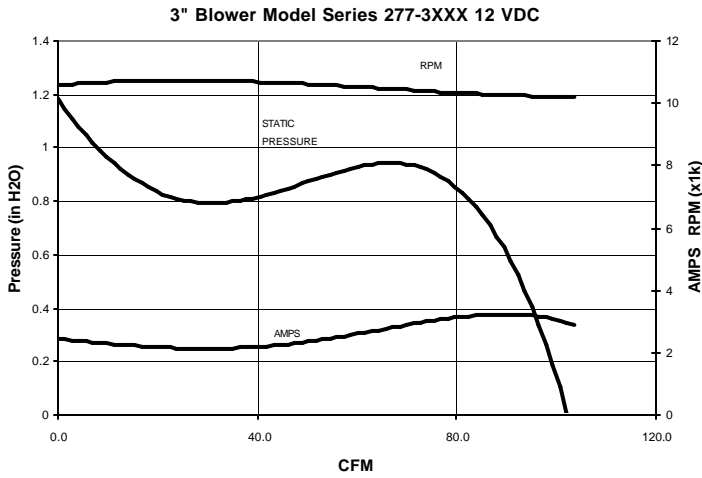
### RELATED DOCUMENTS

Catalog: MS-030-140  
Installation Manual: 911-723  
Maintenance: 911-723  
Applications Spec Guide: MS-020-005  
Warranty: SB-1050

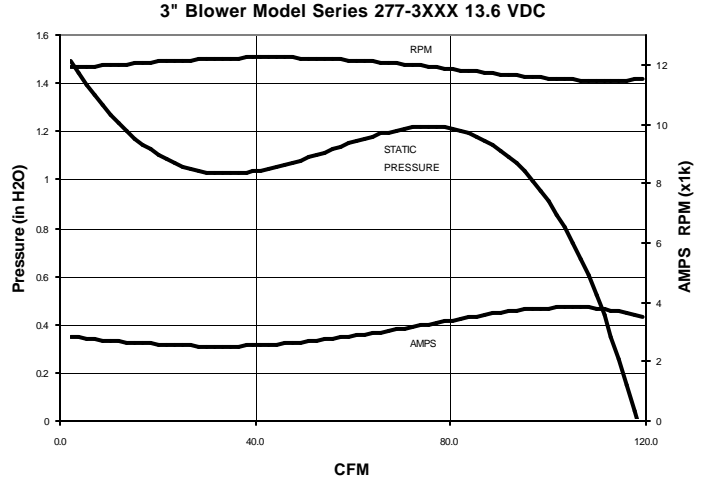
Exploded View —Parts Kits Not Available



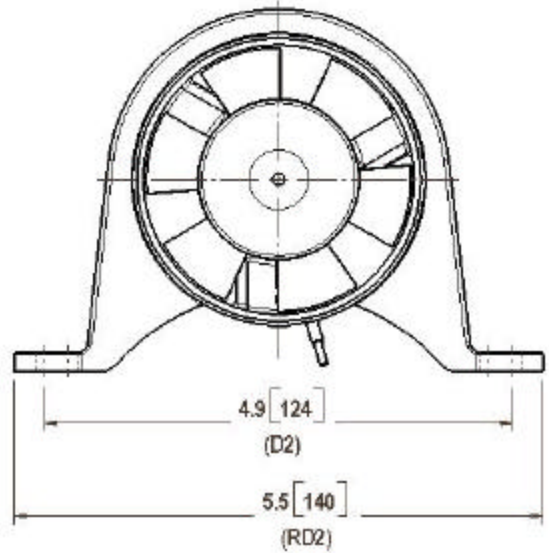
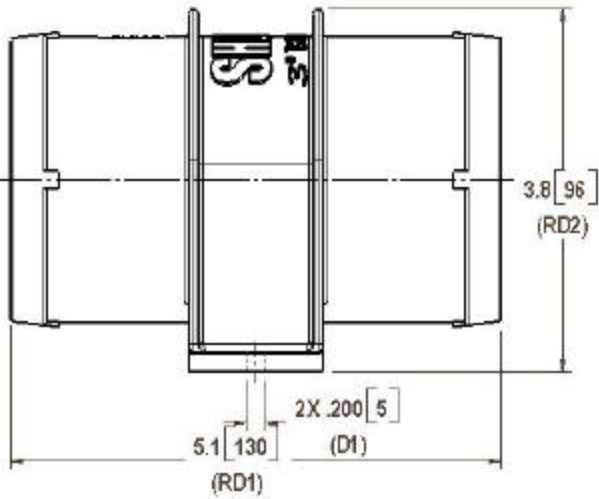
**Performance at Nominal Voltage 12 DVC**



**Performance at Rated Voltage (113.3%) 13.6 DVC**



**DIMENSIONS [mm]**



\*ISO Registered Facility

*SHURflo reserves the right to update specifications, prices, or make substitutions.*

SHURflo \*  
 5900A Katella Ave.  
 Cypress, Ca. 90630  
 (800) 854-3218 (562) 795-5200  
 FAX (562) 795-7554  
 Shipping/UPS: 5900C Katella Ave.  
 Cypress, Ca. 90630

SHURflo East  
 52748 Park Six Court  
 Elkhart, IN 46514-5427  
 (800) 762-809 (574) 262-0478  
 FAX (574) 264-2169  
 Http://www.shurflo.com  
 © 2001

SHURflo Ltd. \*  
 Unit 5 Sterling Park  
 Gatwick Road, Crawley  
 West Sussex, RH10 2QT  
 United Kingdom  
 +44 1293 424000  
 FAX +44 1293 421880

