

STANDARD PART

NOTICE: THIS DRAWING EMBODIES A CONFIDENTIAL PROPRIETARY DESIGN ORIGINATED BY SHURFLO PUMP MFG. CO., INC. AND ALL DESIGN, MANUFACTURING, PREPRODUCTION USE AND SALE RIGHTS REGARDING THE SAME ARE EXPRESSLY RESERVED. IT IS SUBMITTED UNDER A CONFIDENTIAL RELATIONSHIP FOR A SPECIFIC PURPOSE, AND THE RECIPIENT AGREES BY ACCEPTING THIS DRAWING NOT TO SUPPLY OR DISCLOSE ANY INFORMATION REGARDING IT TO ANY UNAUTHORIZED PERSON, OR TO INCORPORATE IN OTHER PROJECTS ANY FEATURE UNIQUE TO THIS DESIGN. ANY AVAILABLE RIGHTS HERETO ARE EXPRESSLY RESERVED. THIS DRAWING SHALL BE RETURNED TO SHURFLO PUMP MFG. CO., INC. UPON REQUEST.

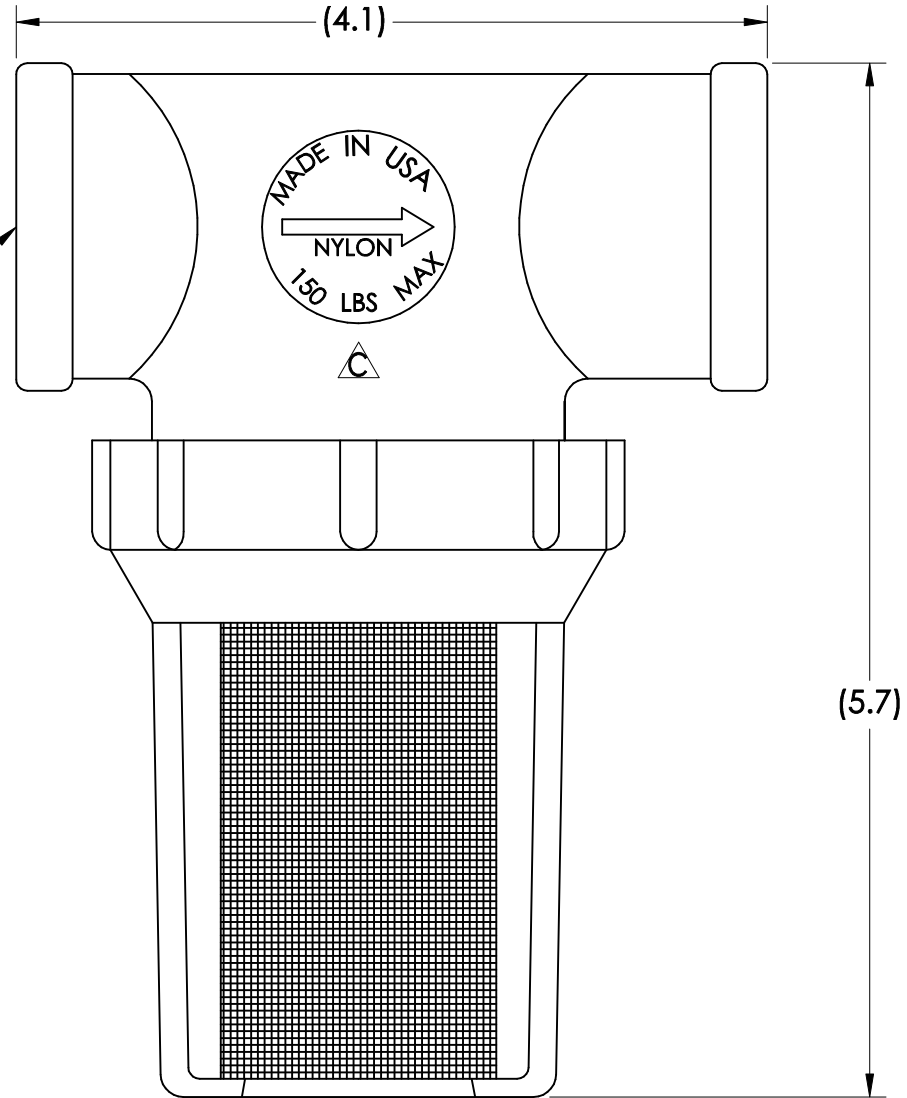
REVISION HISTORY

REV.	DESCRIPTION	DATE	BY	CHK
C	SEE ECO 8624	3/10/04	NG	RB

NOTES: UNLESS OTHERWISE SPECIFIED

- ① MATERIAL: NYLON HOUSING AND POLYIMIDE BOWL, BUNA SEALS
- ② CLEAR BOWL, CREAM HOUSING

(2X 1"-11 1/2 NPT)



-00	18670	10763
DASH # (-XX)	VENDOR PART NUMBER	SHURFLO VENDOR NUMBER
VENDOR TYPE: <input type="checkbox"/> COMMERCIAL (NON-SPECIFIC) <input checked="" type="checkbox"/> SPECIFIC		

MATERIAL: ①	DO NOT SCALE DRAWING	APPROVALS	DATE	 5900 Katella Ave. Cypress, CA 90630 FIRST IN FLUID INNOVATION
FINISH: ②	UNLESS OTHERWISE SPECIFIED DIMENSIONS ARE IN INCHES @68° F TOLERANCES ARE: FRACTIONS: DECIMALS: ANGLES: ± 1/32 ± .X = .030 ± 0.5° ± .XXX = .005 ± .XXXX = .001 FILLET RADII .010-.030 BREAK CORNERS R.005-.015 OR CHAMFER FINISH 125 MICRO IN. PER ANSI B46.1	DRAWN BY: HM	05/01	
STANDARD SHURFLO SYMBOLS				TITLE: 1" NPT PORTS, 50 MESH SCREEN RAW WATER STRAINER
[C] INDICATES CRITICAL TO FORM, FIT, OR FUNCTION. [X.XXX] INDICATES AN INSPECTION DIMENSION. [X.XXXX ±.XXX] INDICATES AN ORIGINAL DESIGN DIMENSION AND TOLERANCE. THE DESIGN DIMENSION WILL BE REVERTED TO IF NEW TOOLING IS CREATED OR IF THE EXISTING TOOLING IS REWORKED IN THIS AREA. [XX] INDICATES A FLAGGED NOTE. [Δ] INDICATES LOCATION AND REVISION LEVEL OF A CHANGE.				SIZE A PART NUMBER: 15-059-02 REV: C
PRELIMINARY DESIGN NUMBER: --				SCALE: 1/1 PART FILENAME: 15-059-02_C.DWG SHEET 1 OF 1