

SPECIFICATIONS:

MODEL NUMBER: 2088-594-500

PUMP DESIGN: Positive Displacement 3 Chamber Diaphragm Pump

CHECK VALVE: None

CAM: 3.0 Degree

MOTOR: Permanent Magnet, P/N 11-195-00, with Power Cord

VOLTAGE: 115 VAC Nominal

PRESSURE SWITCH: None

LIQUID TEMPERATURE: 130 Degrees Fahrenheit (54 Degrees Centigrade) Max.

PRIME: Self-Priming Up To 9 Ft. Vertical,
Max. Inlet Pressure 30 PSI (2.1 Bar)

PORTS: 1/2" - 14 Male Parallel Thread

MATERIAL OF CONSTRUCTION:

PLASTICS- Polypropylene

VALVES- Santoprene

DIAPHRAGM- Santoprene

FASTENERS- Zinc Plated Steel

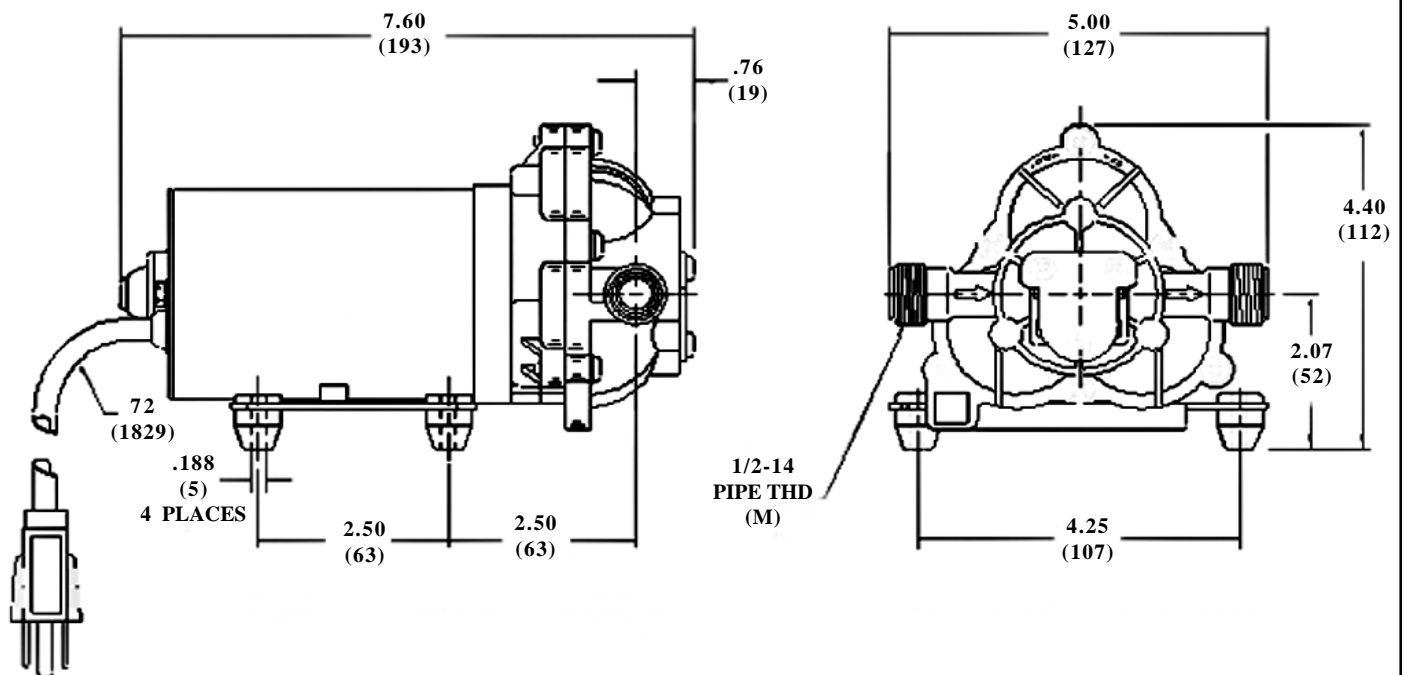
NET WEIGHT: 5.5 Lbs (2.5 Kg)

DUTY CYCLE: Intermittent (See Temperature Rise Chart)

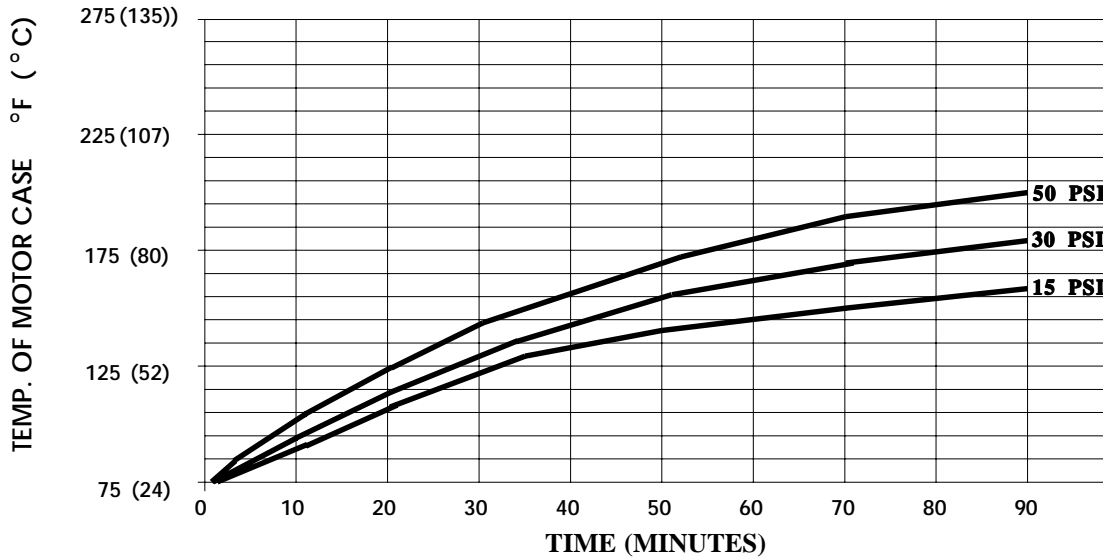
TYPICAL APPLICATIONS: Water Delivery

APPROVALS: N.S.F. Listed

DIMENSIONS:

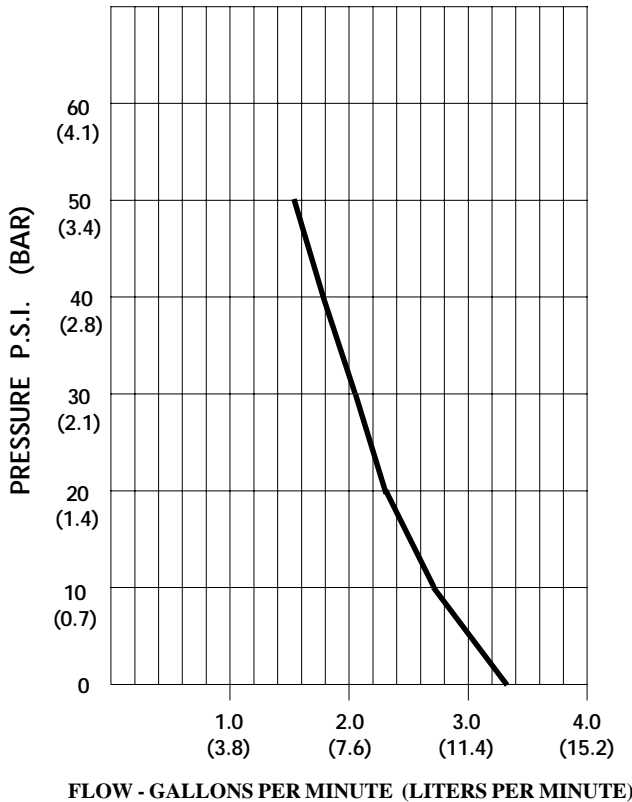


TEMPERATURE RISE



THIS GRAPH IS FOR USE AS A DESIGN GUIDE. IT IS BASED ON RUNNING CONTINUOUSLY WITH AN AMBIENT TEMPERATURE OF 75° F IN STILL AIR.

TYPICAL PERFORMANCE



PRESSURE (PSI)	FLOW (GPM/LIT)	RPM MIN/MAX	CURRENT (AMPS)	VOLTAGE (VOLTS)
OPEN	3.30/12.5	1985/2160	0.55	115 VAC
10	2.65/10.0	1938/2115	0.60	"
20	2.30/8.7	1826/1990	0.70	"
30	2.00/7.6	1745/1895	0.80	"
40	1.80/6.8	1670/1835	0.85	"
50	1.50/5.7	1620/1790	0.90	"

*-SPECIFICATIONS SUBJECT TO CHANGE WITHOUT NOTICE.
-ALL DATA BASED ON TESTING WITH WATER.*