

## SPECIFICATIONS:

**MODEL NUMBER:** 100-000-25

**PUMP DESIGN:** Positive Displacement Wobbler Pump

**MOTOR:** Permanent Magnet, P/N 11-144-07

**VOLTAGE:** 12VDC Nominal

**LIQUID TEMPERATURE:** 130 Degrees Fahrenheit Max.

**PRIME:** Self-Priming Up To 4 in. Vertical,  
Max. Inlet Pressure 30 PSI (2.1 Bar)

**PORTS:** 3/8" Barb

**MATERIAL OF CONSTRUCTION:**

**PLASTICS-** Polyphenylene Sulfide

**ELASTOMERS-** Nitrile-Butadiene

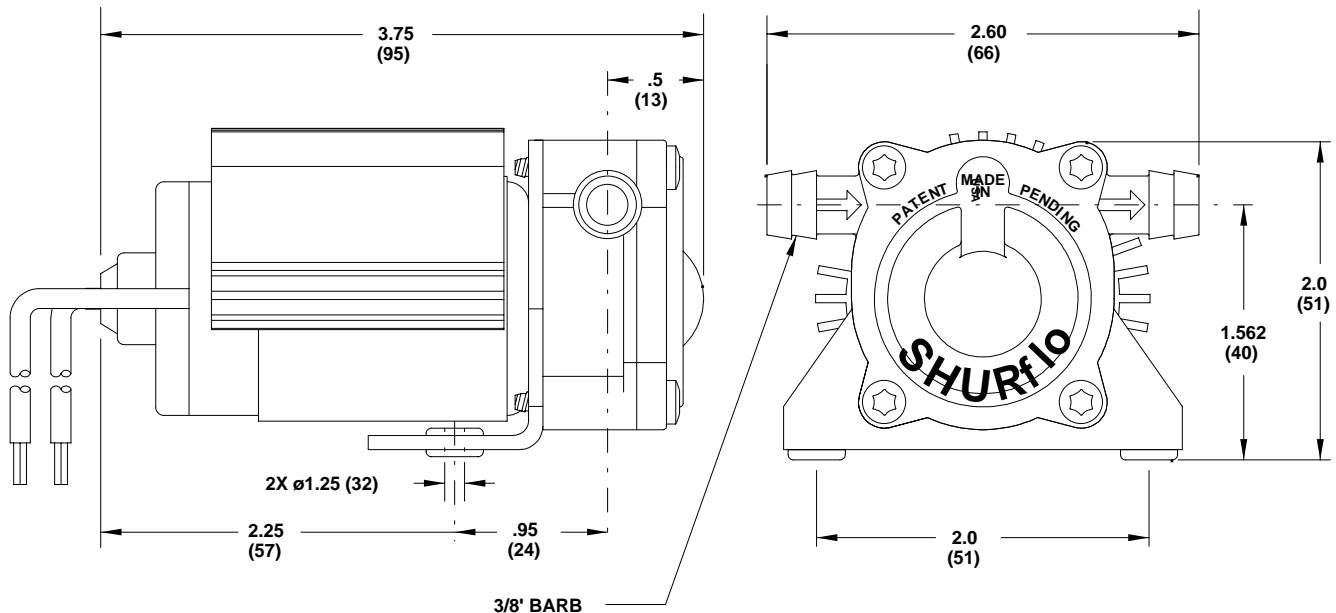
**FASTENERS-** Stainless Steel

**NET WEIGHT:** .75 Lbs (34g)

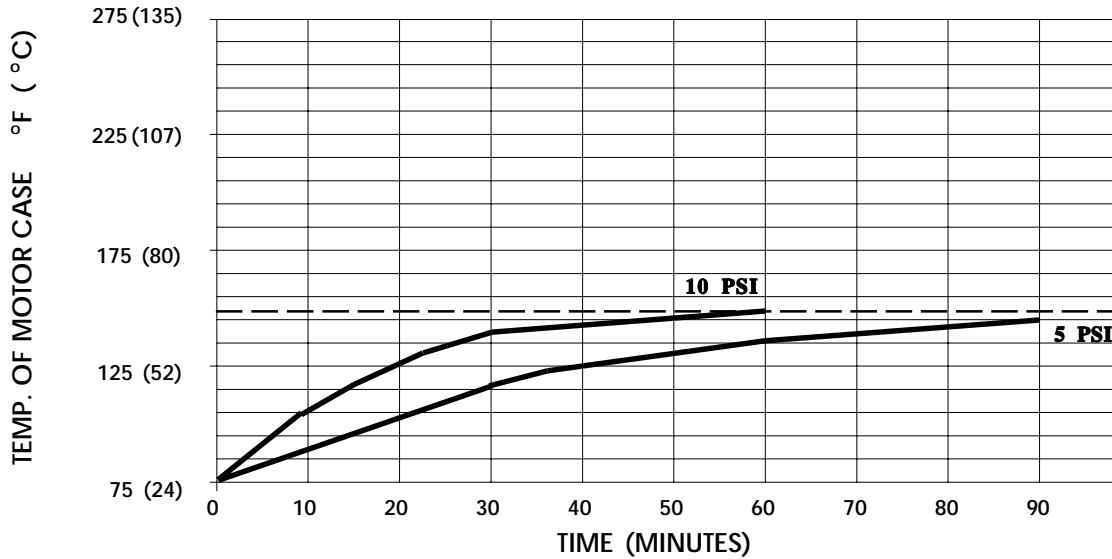
**DUTY CYCLE:** Intermittent (See Temperature Rise Chart)

**TYPICAL APPLICATIONS:** ATF/Power Steering Fluid Transfer Pump

## DIMENSIONS:



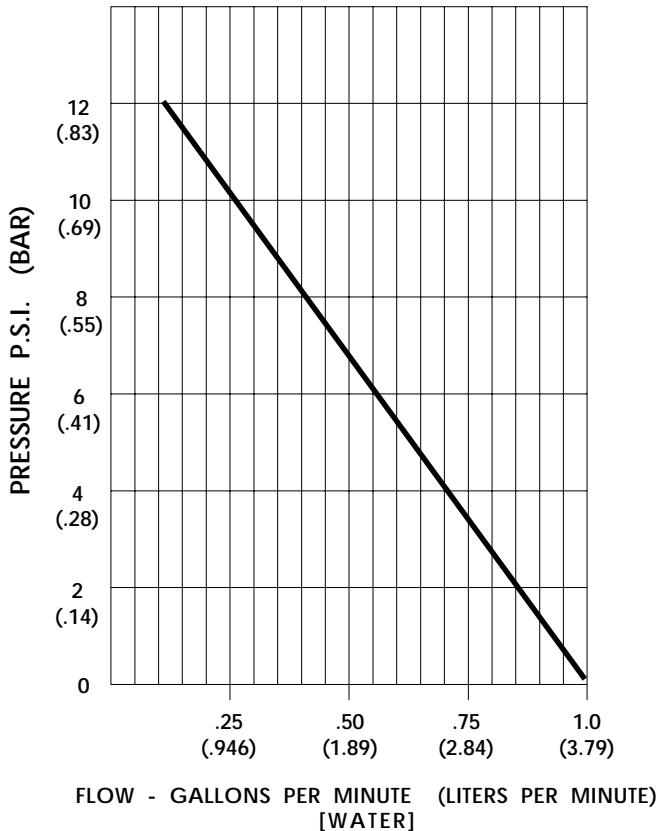
### TEMPERATURE RISE



THIS GRAPH IS FOR USE AS A DESIGN GUIDE. IT IS BASED ON RUNNING CONTINUOUSLY WITH AN AMBIENT TEMPERATURE OF 70 °F IN STILL AIR. THE THERMAL BREAKER WILL OPEN WHEN THE CASE TEMPERATURE REACHES 140 °F.

[ - - - - - TRIP POINT OF THERMAL PROTECTOR ]

### TYPICAL PERFORMANCE



PRESSURE (PSI)	FLOW (GPM/LIT)	CURRENT (AMPS)	VOLTAGE (VOLTS)
2	<b>0.87/3.3</b>	<b>1.3</b>	<b>12VDC</b>
4	<b>0.71/2.7</b>	<b>1.4</b>	"
6	<b>0.57/2.2</b>	<b>1.5</b>	"
8	<b>0.41/1.6</b>	<b>1.6</b>	"
10	<b>0.27/1.0</b>	<b>1.8</b>	"
12	<b>0.11/0.4</b>	<b>1.9</b>	"

*-SPECIFICATIONS SUBJECT TO CHANGE WITHOUT NOTICE.*

*-ALL DATA BASED ON TESTING WITH WATER.*