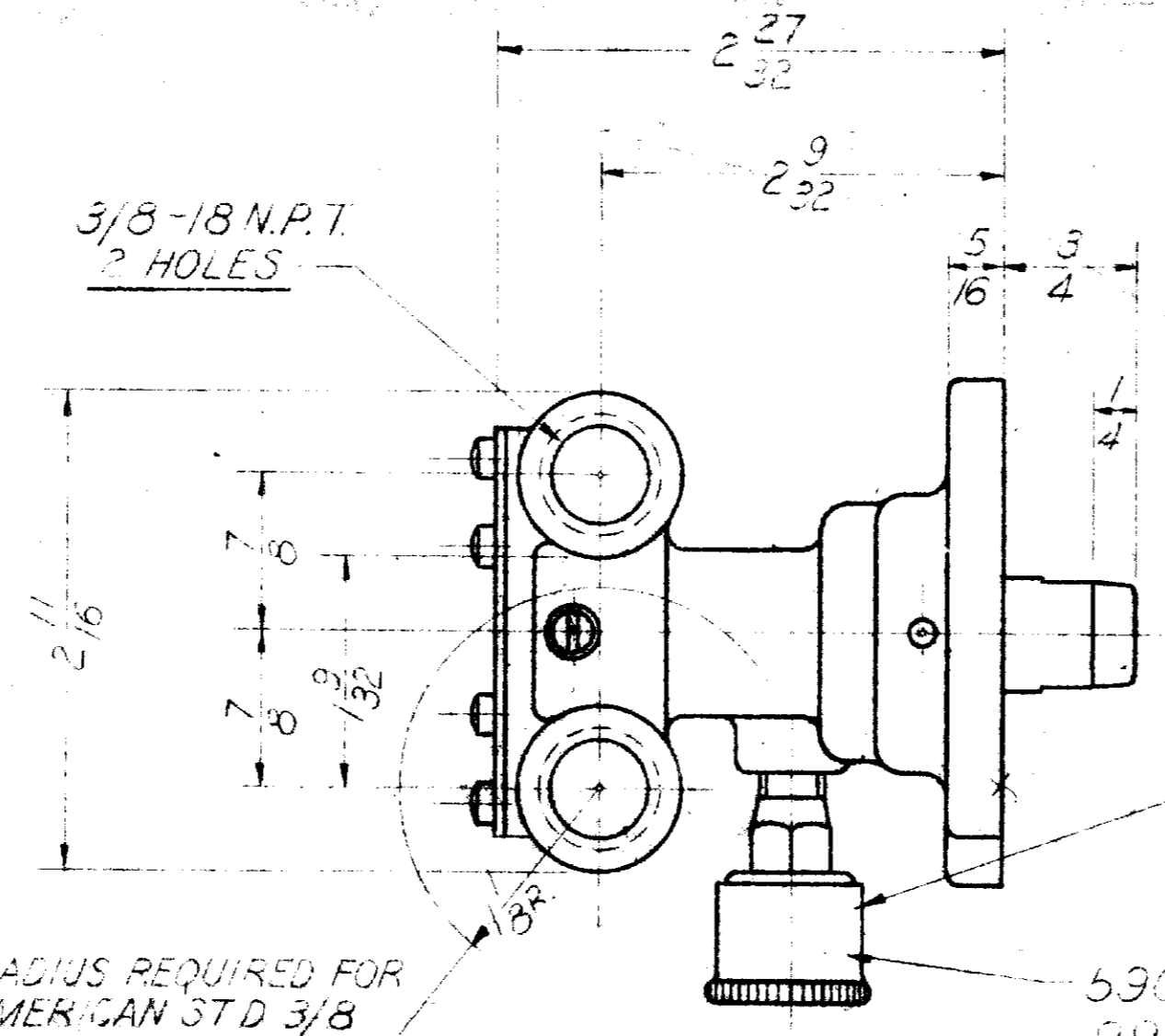


MAJOR REPAIR KIT #12243 (E)
 MINOR REPAIR KIT #12949 (E)

T-1116

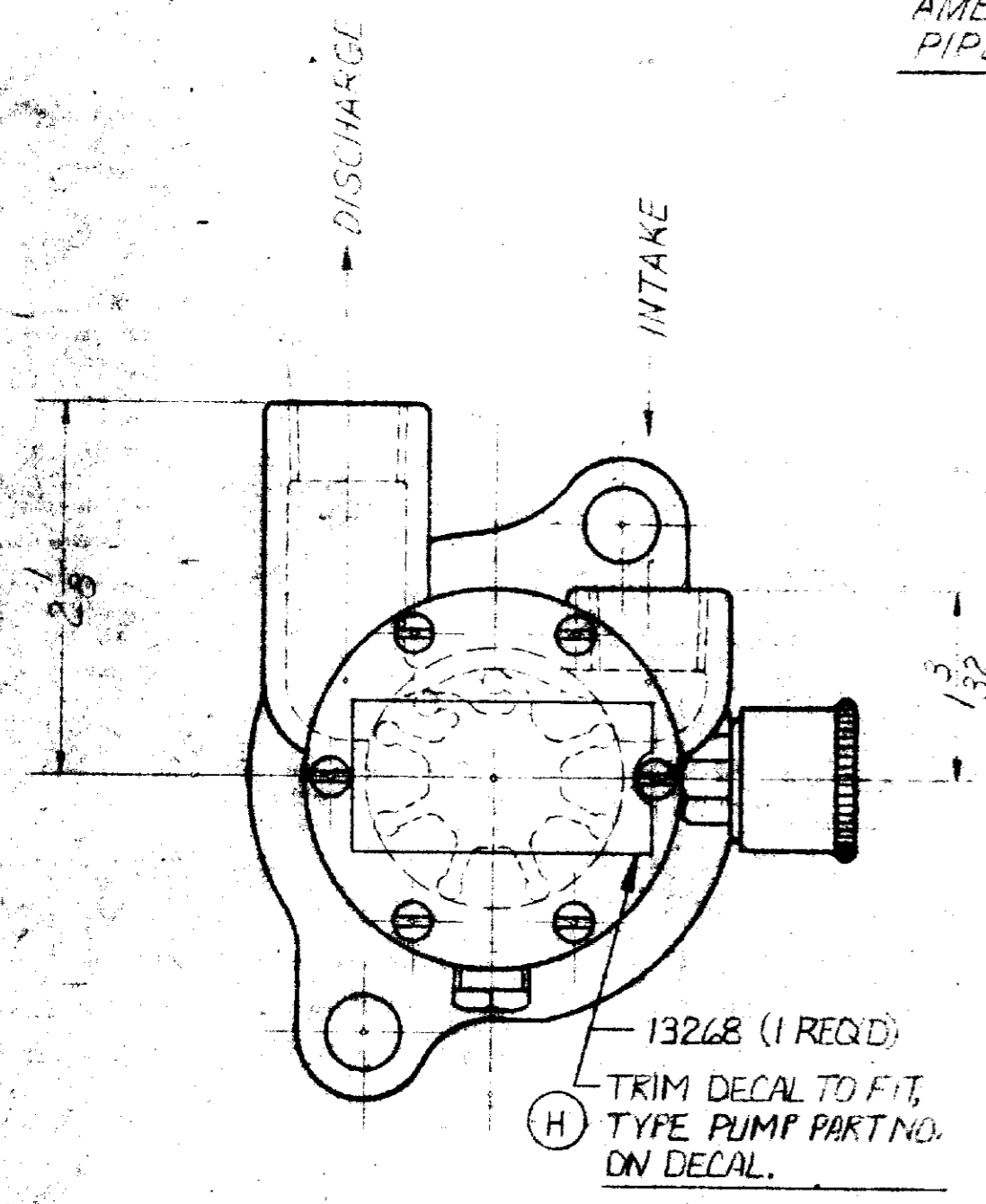


PACK GREASE CUP WITH
 (A) TEXACO REGAL STARFAR
 N° 2 GREASE ONLY

RADIUS REQUIRED FOR
 AMERICAN STD 3/8
 PIPE 90° ELBOW

- 590-BBC 1 REQ'D
- 9981 7 REQ'D
- 9978 1 REQ'D
- 10332 1 REQ'D
- 9979 1 REQ'D
- 10388 1 REQ'D
- 10514 2 REQ'D
- 10991 1 REQ'D

COUNTER-CLOCKWISE ROTATION

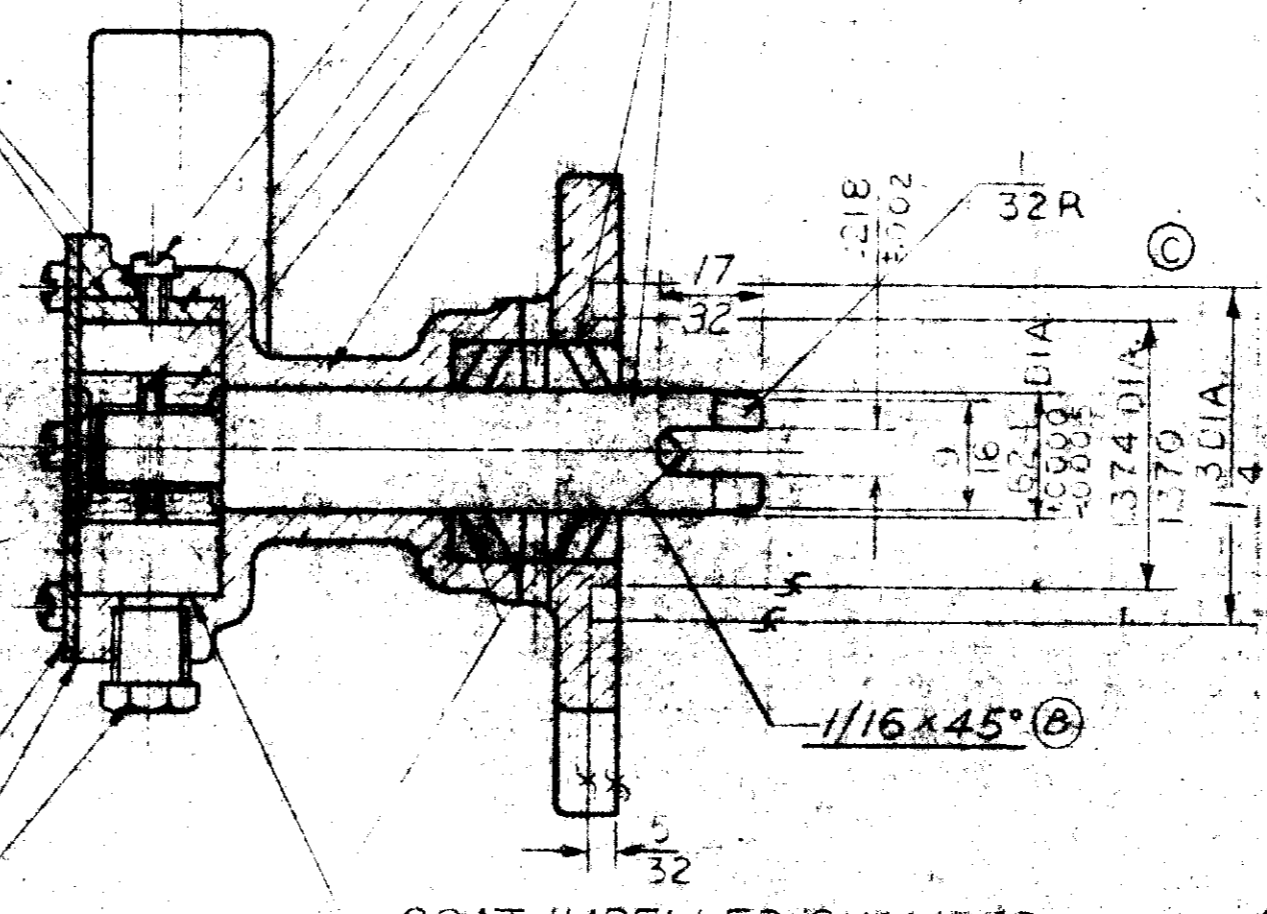


CAPACITY
 1.5 G.P.M. @ 1000 R.P.M.

PERMATEX

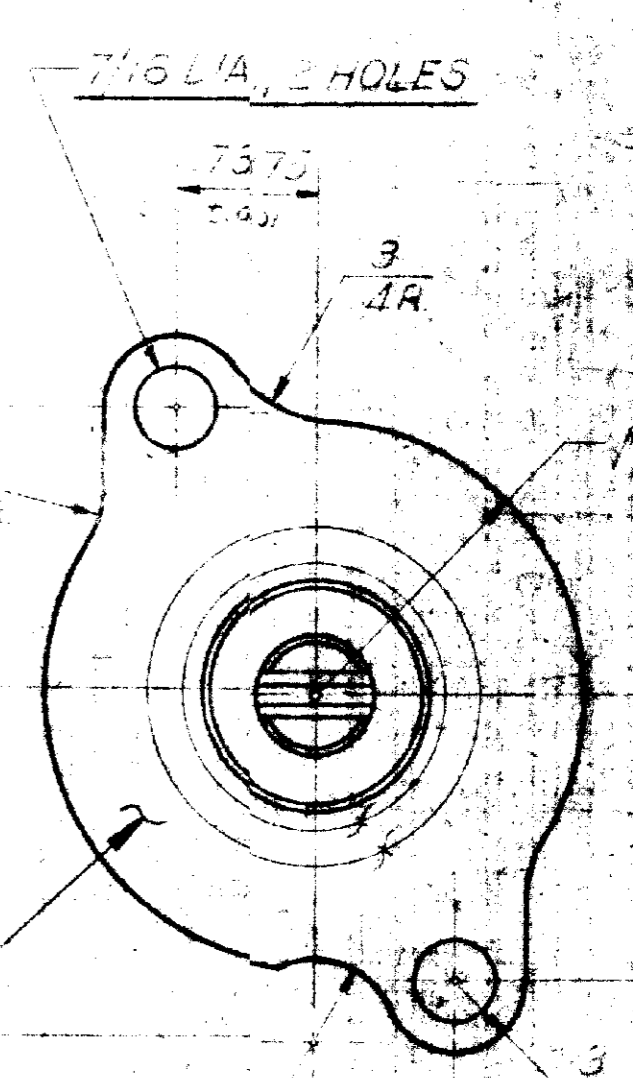
- 9976 1 REQ'D
- 9977 1 REQ'D
- 336 1 REQ'D

PUT LUBRICATE ON
 LIP OF SEAL ONLY



COAT IMPELLER CHAMBER
 WITH TEXACO REGAL STARFAR
 N° 2 GREASE ONLY

STAMP DATE CODE
 ON FLANGE SURFACE



DATE 15 F 25
 2 5 71

REF: ATOMIC FOUR ENGINE
 FLOW: 4-1011P

SHERWOOD BRASS WORKS
 DETROIT, MICHIGAN

H DECAL ADDED #13268	
S PACKAGING NOTE ADDED	ITEM 31-7
F 12243 KIT ADDED	
E 12243 KIT REUSED	
D MAJOR SERVICE KIT ADDED	
C PILOT GROOVE ADDED	

IMPELLER PUMP ASSY		SEE DRAWINGS
DATE FULL	REV	
DATE REV	REV	
DATE	REV	
DATE	REV	
DATE	REV	

T-1116