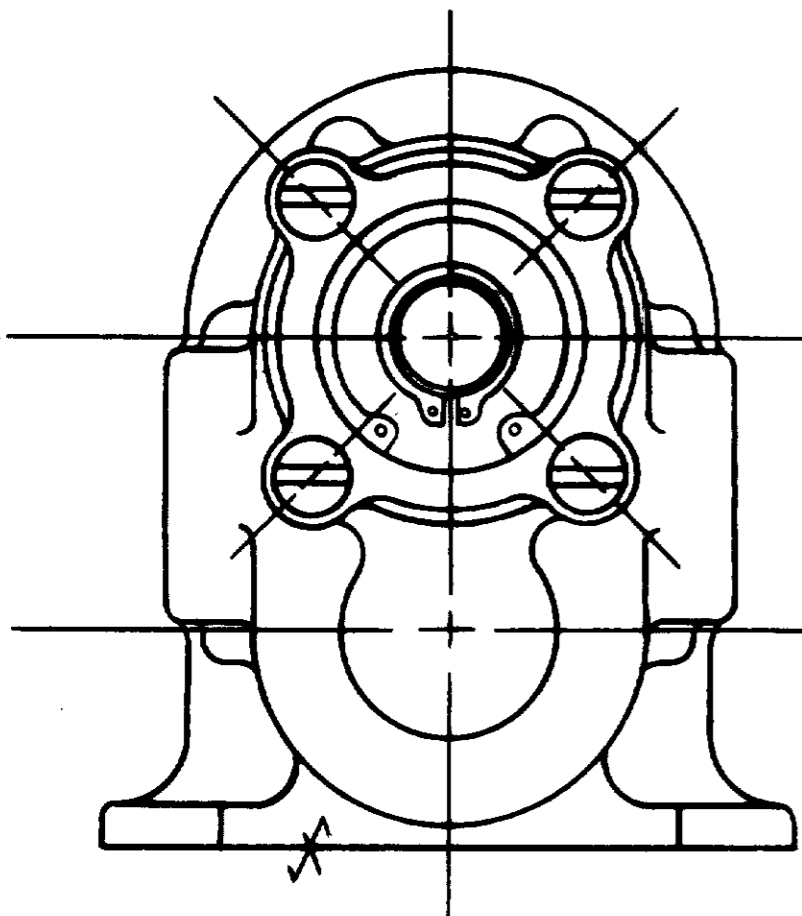
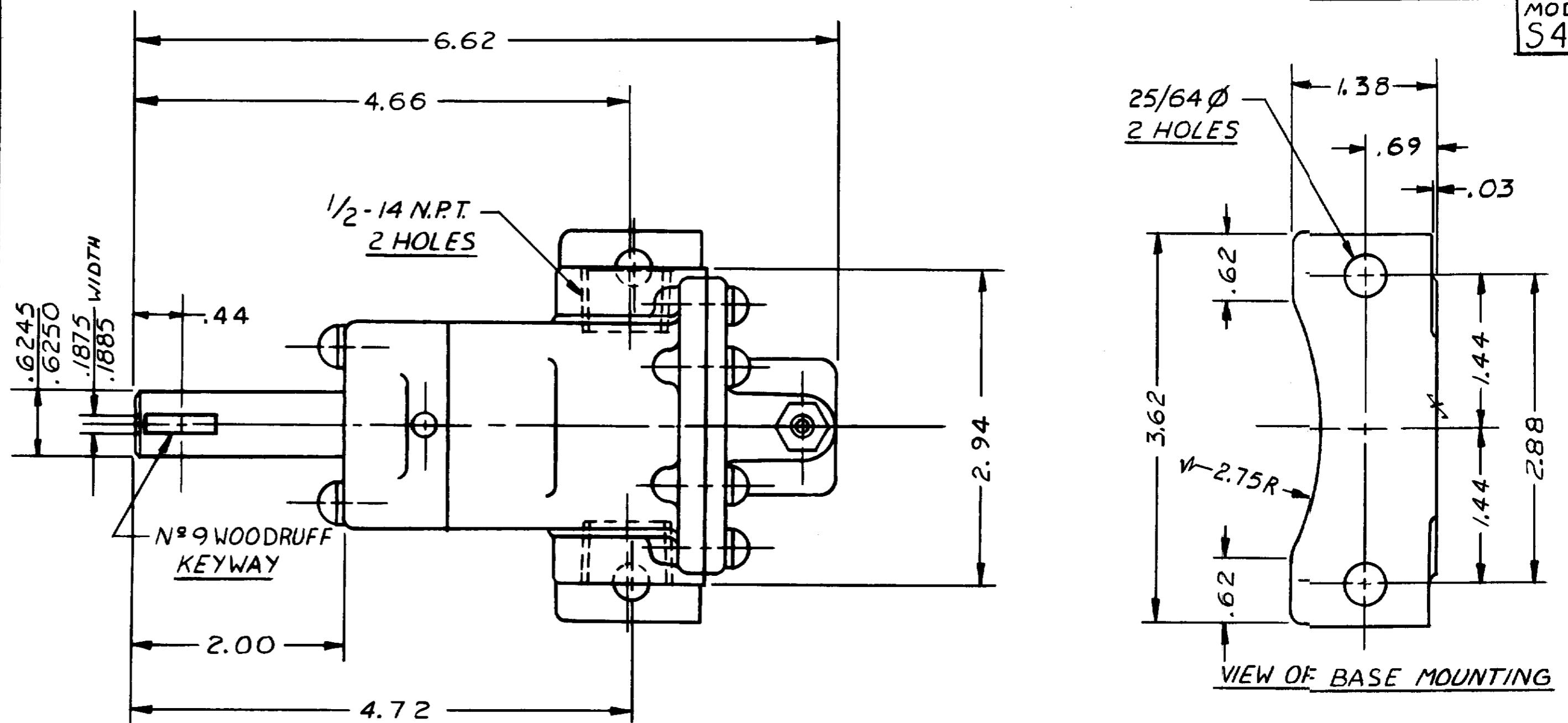


MODEL  
S4-1

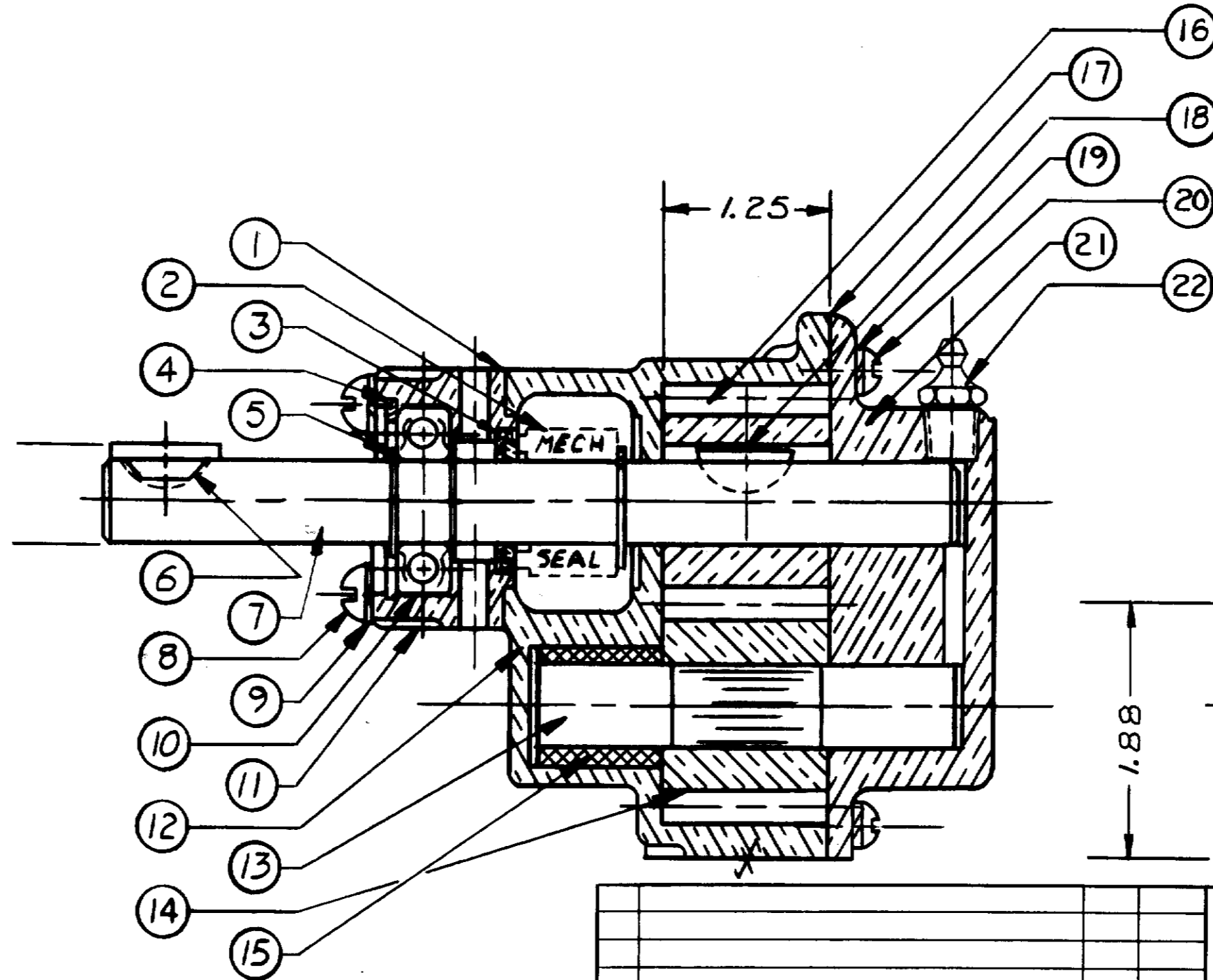
PARTS LIST

ITEM	PART N <sup>o</sup>	DESCRIPTION	QTY.
1	4263	.010 VELLUMOID GASKET	1
2	10523	MECH. SEAL - BUNA N	1
3	10926	SEAL SEAT - BUNA N	1
4	4259	RETAINING RING - INT.	1
5	4258	RETAINING RING - EXT.	3
6	12622	NON-ROK KEY	1
7	5782	5/8 DRIVE SHAFT	1
8	4265	1/4-20 x 1-1/2 RD. HD. SCREW	4
9	12710	LOCK WASHER	4
10	4257	BALL BEARING	1
11	11415	BEARING HOUSING	1
12	6438	BODY	1
13	6394	SHAFT-DRIVEN	1
14	456	GEAR-DRIVEN	1
15	6333	BUSHING	1
16	5828	GEAR-DRIVE	1
17	252	.006 VELLUMOID GASKET	1
18	4432	NO. 9 WOODRUFF KEY	1
19	343	LOCK WASHER	8
20	12686	10-24 x 1/2 SCREW	8
21	12070	COVER	1
22	3450	GREASE FITTING	1
2 & 3	10927	SEAL & SEAT ASS'Y.	SERVICE
3 & 11	4241	BEARING HOUSING ASS'Y	SERVICE
12 & 15	6445	BODY ASS'Y	SERVICE

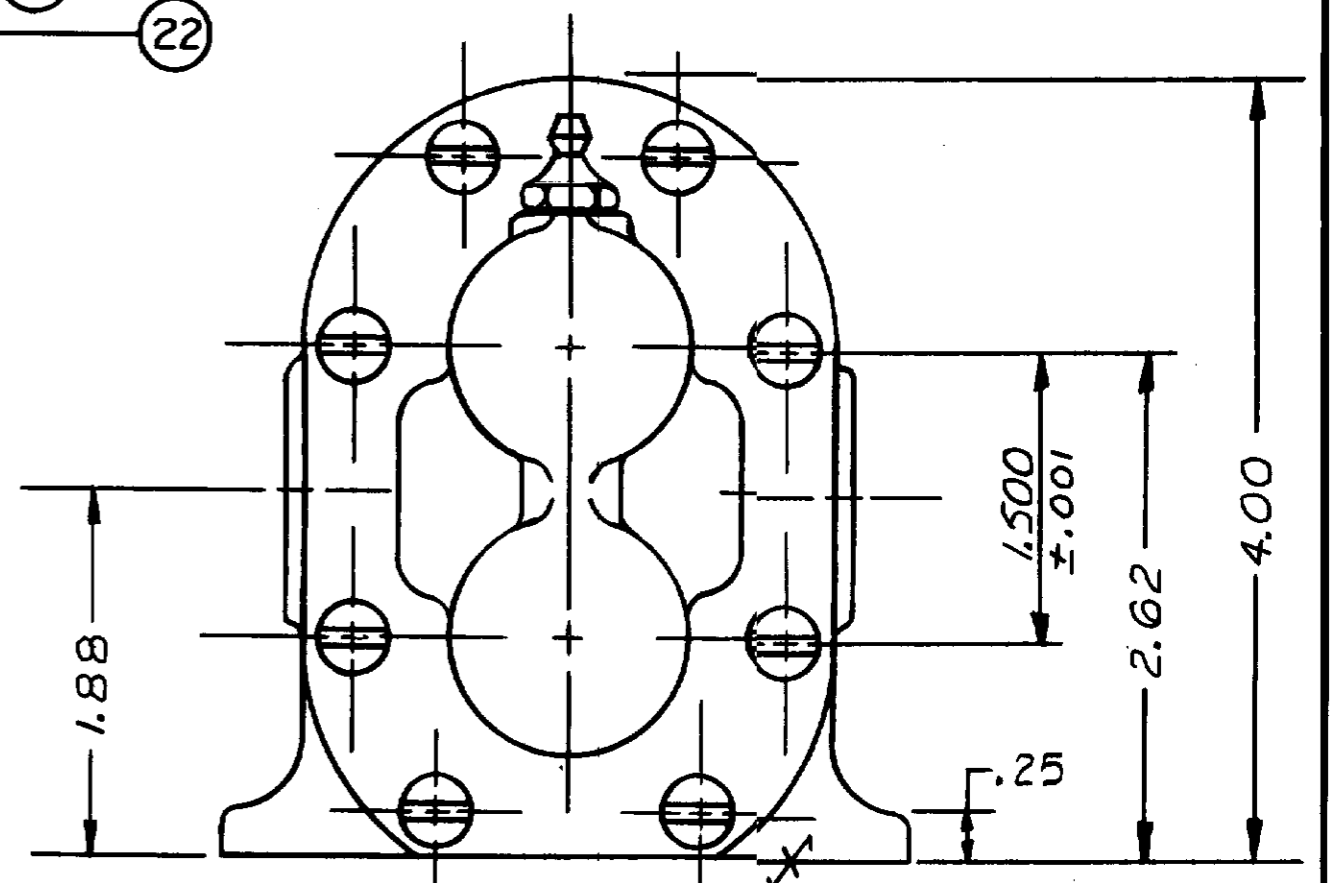


CAPACITY  
5.5 G.P.M. @ 1000 R.P.M.

SPUR GEARS



FLOW CURVE: 710196



REV.	DESCRIPTION	APPR.	DATE

UNLESS OTHERWISE SPECIFIED  
 CAST DIMENSIONS ± .02  
 FILLETS & RADII .06  
 FINISH STOCK .07  
 MACHINING TOLERANCE, INCHES  
 XX ± .01, XXX ± .005  
 SURFACE ROUGHNESS  
 ANGLES ± 0° 30'  
 CORNER BREAKS .01 MAX.  
 ▯ PARALLISM .001  
 ▯ FLATNESS .001  
 ⊥ SQUARNESS .001  
 ⊙ CONCENTRICITY .001  
 ○ ROUNDNESS .0002  
 ↻ RUNOUT .001

**SHERWOOD**  
 A LEAR SIEGLER COMPANY  
 6331 E. JEFFERSON AVE. • DETROIT, MICHIGAN 48207

DRAFTSMAN	DATE	CHECKER	DATE	ASSY NO.
KB	10-8-87	AVB	10/15/87	

TITLE  
**GEAR PUMP ASS'Y**

MATERIAL  
SEE DETAILS

DWG. NO. MODEL  
S4-1