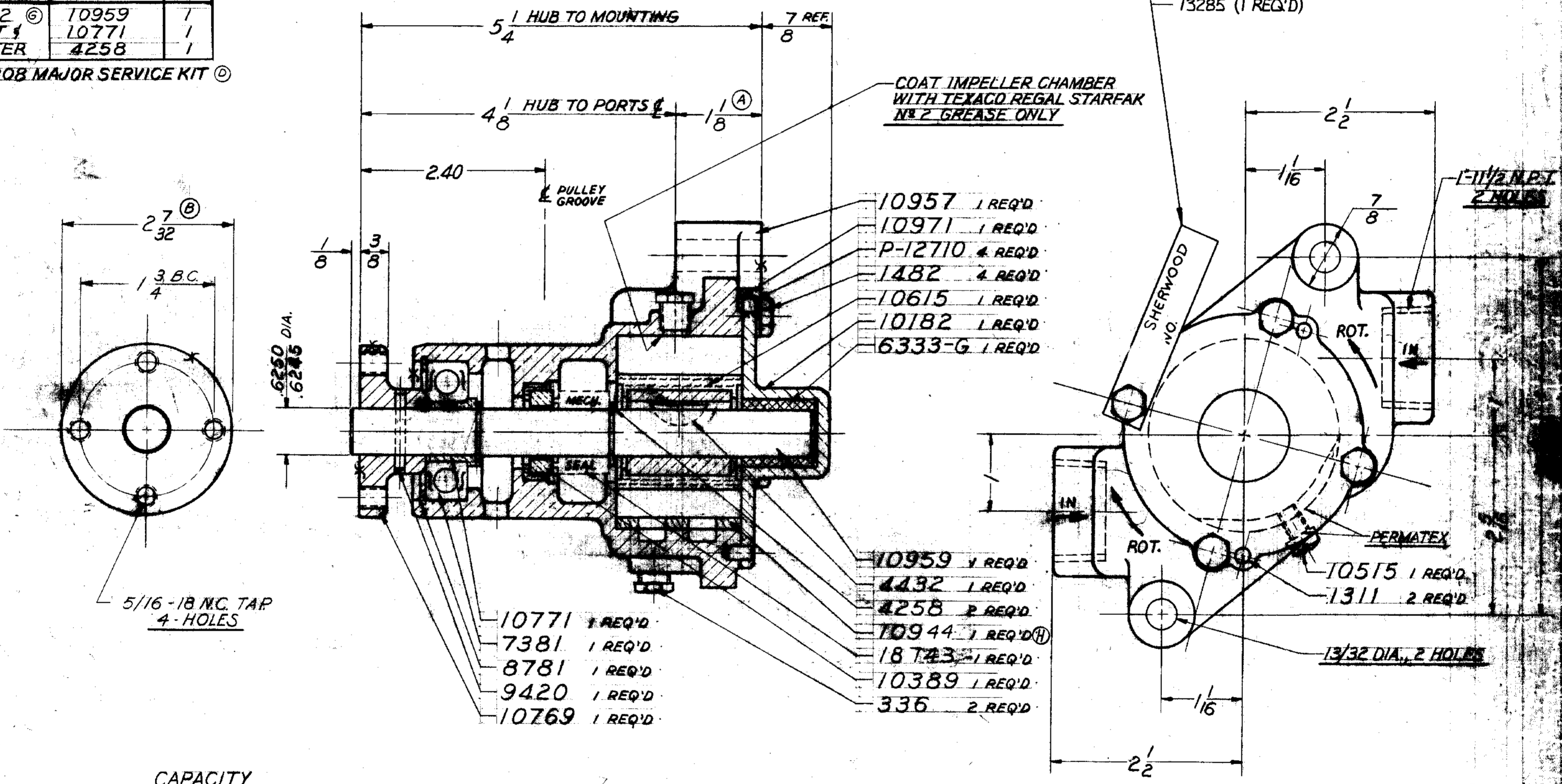


SERVICE PART NO.	COMPONENT PART NO'S	NO. REQ'D
10962	10957	1
HOUSING	1311	2
10783	10182	1
COVER	6333-G	1
10545	18743	1
SEAL & SEAT	10389	1
11102	6333-G	1
REPAIR KIT	7381	1
	10545	1
	10971	1
	10615	1
14212	10959	1
SHAFT & ADAPTER	10771	1
	4258	1

№12308 MAJOR SERVICE KIT ©

STAMP PUMP ASSEMBLY NO.S-11095-G AND DATE CODE ON TAG. ATTACH WITH SCREW. (F)



CAPACITY
 30 G.P.M. @ 3800 R.P.M.

CURVE NO. 64015R-65002R-65003R

UNIT PACKAGING:
 № 17636 CARTON W 1 REQ'D
 12209 LABEL 1 REQ'D
 14486 JIFFY BAG 1 REQ'D

REV.	DESCRIPTION	DATE	BY
I	LABEL & CARTON ADDED	9/13/64	SH
H	10944 WAS 10961	7/18/68	ML
G	№14212 SHAFT ASSY ADDED	9/2/65	AVB
F	ADDED TAG NO 13285		
E	NOTES ADDED	7/26/72	RM
D	MAJOR SERVICE KIT ADDED	5-2-72	RM
C	№11102 REPAIR KIT ADDED	4/26/68	RM
B	WAS 2 1/8 CAST O.D.	11/5/62	RM
A	WAS 3/4 ROSS LENGTH	11/5/62	RM

SHERWOOD
 A DIVISION OF HYPRD CORPORATION
 10000 WILSON AVE., DETROIT, MICHIGAN 48215

TITLE: **IMPELLER PUMP ASS'Y** SEE DETAILS

SCALE: **FULL**

DRAWN: **A.V.B.**

CHECKED: _____

APPROVED: _____

REQ'D. DATE: **9-3-64**

PART NO. **S-11095-G**