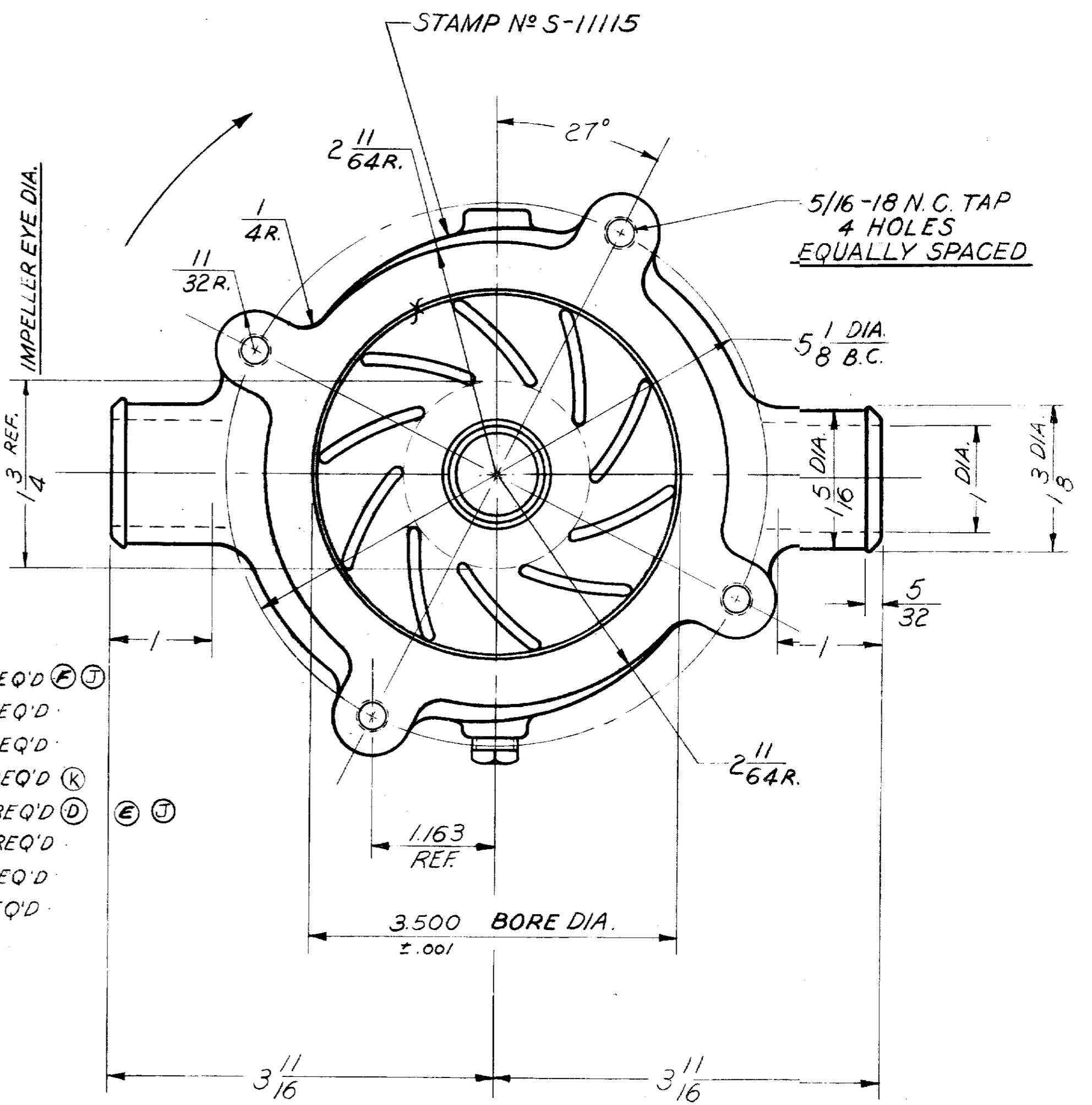
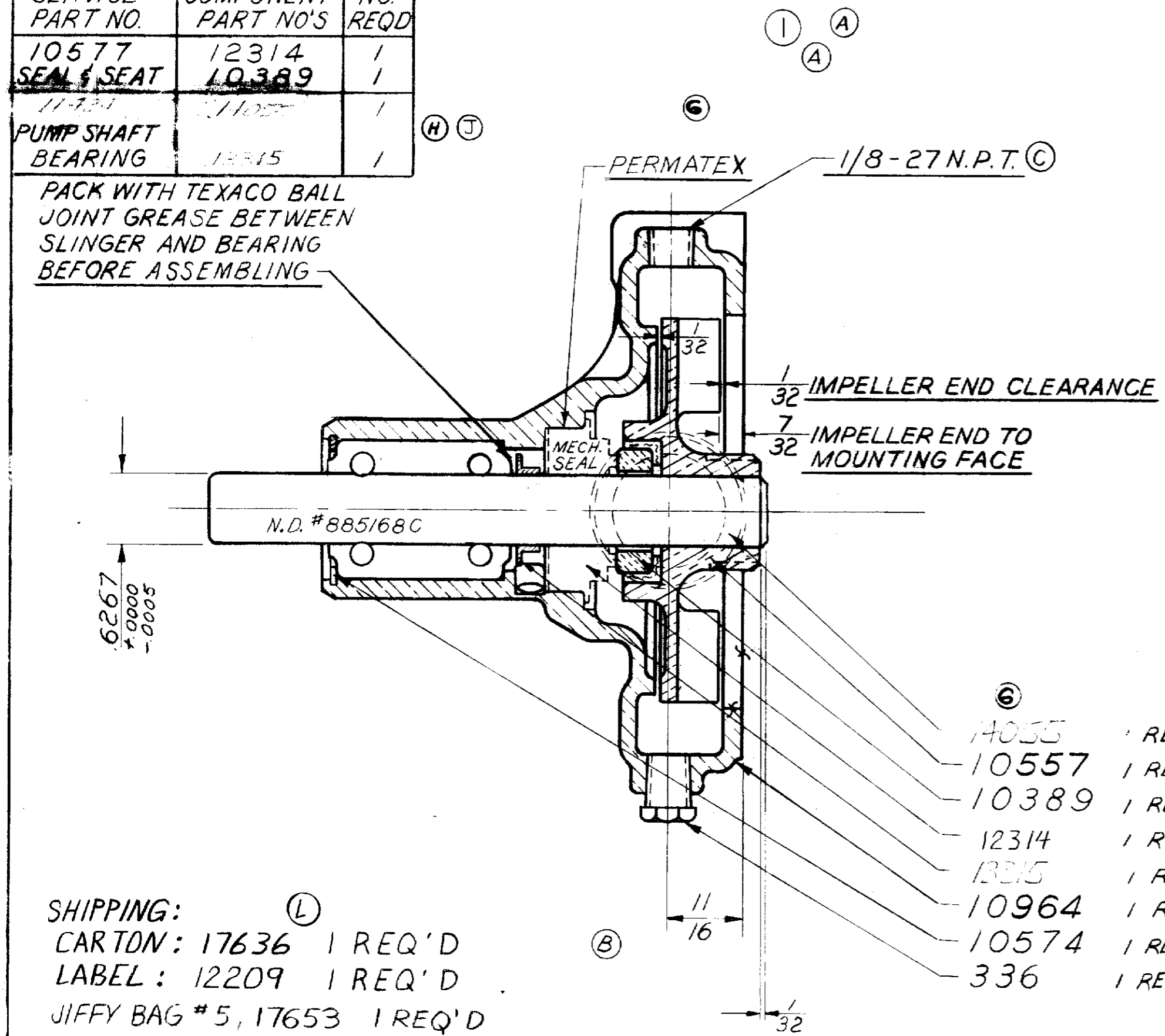


COUNTER-CLOCKWISE ROTATION
(VIEW FROM PULLEY END)

SERVICE PART NO.	COMPONENT PART NO'S	NO. REQ'D
10577	12314	1
SEAL & SEAT	10389	1
11-724	11105	1
PUMP SHAFT BEARING	13315	1

PACK WITH TEXACO BALL JOINT GREASE BETWEEN SLINGER AND BEARING BEFORE ASSEMBLING



SHIPPING: (L)
 CARTON: 17636 1 REQ'D
 LABEL: 12209 1 REQ'D
 JIFFY BAG #5, 17653 1 REQ'D

- 10555 1 REQ'D (E) (J)
- 10557 1 REQ'D
- 10389 1 REQ'D
- 12314 1 REQ'D (K)
- 13315 1 REQ'D (D)
- 10964 1 REQ'D
- 10574 1 REQ'D
- 336 1 REQ'D

CAPACITY
 30 G.P.M. EACH PORT
 15 P.S.I. @ 4000 R.P.M.

PUMP & PULLEY ASS'Y - R.H. ENGINE 06.95-07807

SHERWOOD A DIVISION OF HYPRO CORPORATION 8331 E. JEFFERSON AVE. • DETROIT, MICHIGAN 48207		TITLE: IMPELLER PUMP ASS'Y MATERIAL: SEE DETAILS	
SCALE: FULL DRAWN: ERS CHECKED: A.V.B.		DATE: 9-11-64 DATE: 9-17-64 REF: N-10490	
PART NO. S-11115		PART NO.	

REV.	DESCRIPTION	CHK'R	DATE
L	CARTON & LABEL ADDED	SH	9-13-69
K	12314 WAS 8388	SH	11-12-64
J	PUMP SHAFT BGG ASS'Y CHANGED	RJ	10-2-66
I	N ^o s N-14, 7822 & 7824 WERE FURNISHED BY CHRIS-CRAFT & ASSEMBLED BY SHERWOOD	PJL	5/26/69
H	WAS N ^o 10898 PUMPSHAFT ASS'Y	B.P.	4/24/64
G	N ^o s 10888 & 10636 REMOVED	B.P.	4/24/64
F	WAS N ^o 10573 PUMPSHAFT	B.P.	4/24/64
E	WAS N ^o 11106 SLINGER	B.P.	4/24/64
D	WAS N ^o 10891 SLINGER	A.V.B.	5/12/65
C	1/8 PIPE TAP ADDED	A.V.B.	3/3/65
B	WAS 1 7/8 HUB LOCATION	A.V.B.	1/2/64
A	WAS HUB N ^o 7072 AND FLANGE N ^o 7074 AS FURNISHED BY CHRIS CRAFT	A.V.B.	10/2/64