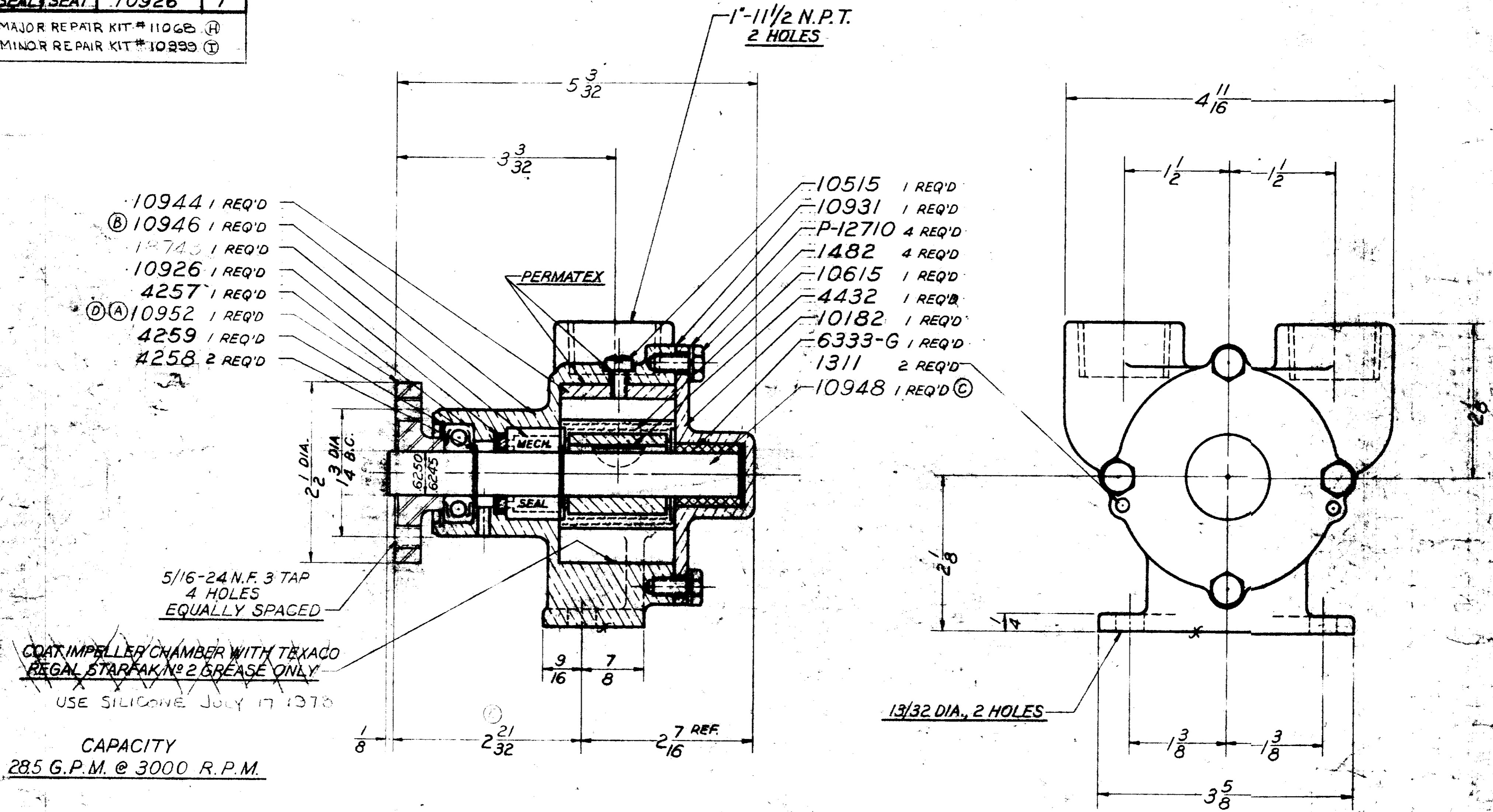


SERVICE PART NO.	COMPONENT PART NO'S	NO. REQ'D
10947	10946	1
BODY	1311	2
10183	10182	1
COVER	6333-G	1
10927	1574	1
SEAL SEAT	10926	1

MAJOR REPAIR KIT # 11068 (H)
 MINOR REPAIR KIT # 10999 (I)



- 10944 1 REQ'D
- (B) 10946 1 REQ'D
- 1574 1 REQ'D
- 10926 1 REQ'D
- 4257 1 REQ'D
- (D)(A) 10952 1 REQ'D
- 4259 1 REQ'D
- 4258 2 REQ'D

- 10515 1 REQ'D
- 10931 1 REQ'D
- P-12710 4 REQ'D
- 1482 4 REQ'D
- 10615 1 REQ'D
- 4432 1 REQ'D
- 10182 1 REQ'D
- 6333-G 1 REQ'D
- 1311 2 REQ'D
- 10948 1 REQ'D (C)

~~COAT IMPELLER CHAMBER WITH TEXACO REGAL STARFAK #2 GREASE ONLY~~
 USE SILICONE JULY 17 1970

CAPACITY
 28.5 G.P.M. @ 3000 R.P.M.

UNIT PACKAGING:
 No 17636 CARTON W 1 REQ'D
 14486 JIFFY BAG 1 REQ'D
 12209 LABEL

I	10999-11068 KITS REVISED	RM 12-7-76
H	12307 KIT REMOVED	RM 12-2-76
G	MAJOR SERVICE KIT ADDED	4-28-72
F	SERVICE NO'S 10947 11068 ADDED	7-1-76
E	WAS AS 2-1-72	4-1-76
D	WAS AS 2-1-72	4-1-76
C	WAS AS 10948	4-1-76
B	WAS AS 10948	4-1-76
A	WAS AS 10948	4-1-76

FLOW CURVE-64004A 187

SHERWOOD
 A DIVISION OF HYPRO CORPORATION
 681 E. JEFFERSON AVE. - DETROIT, MICHIGAN 48207

IMPELLER PUMP ASSY SEE DETAILS

DATE FULL	DATE
DESIGN A.V.B.	DATE 4-1-76
CHECKED	DATE
APPROVED	DATE

PART NO. S-11040-G