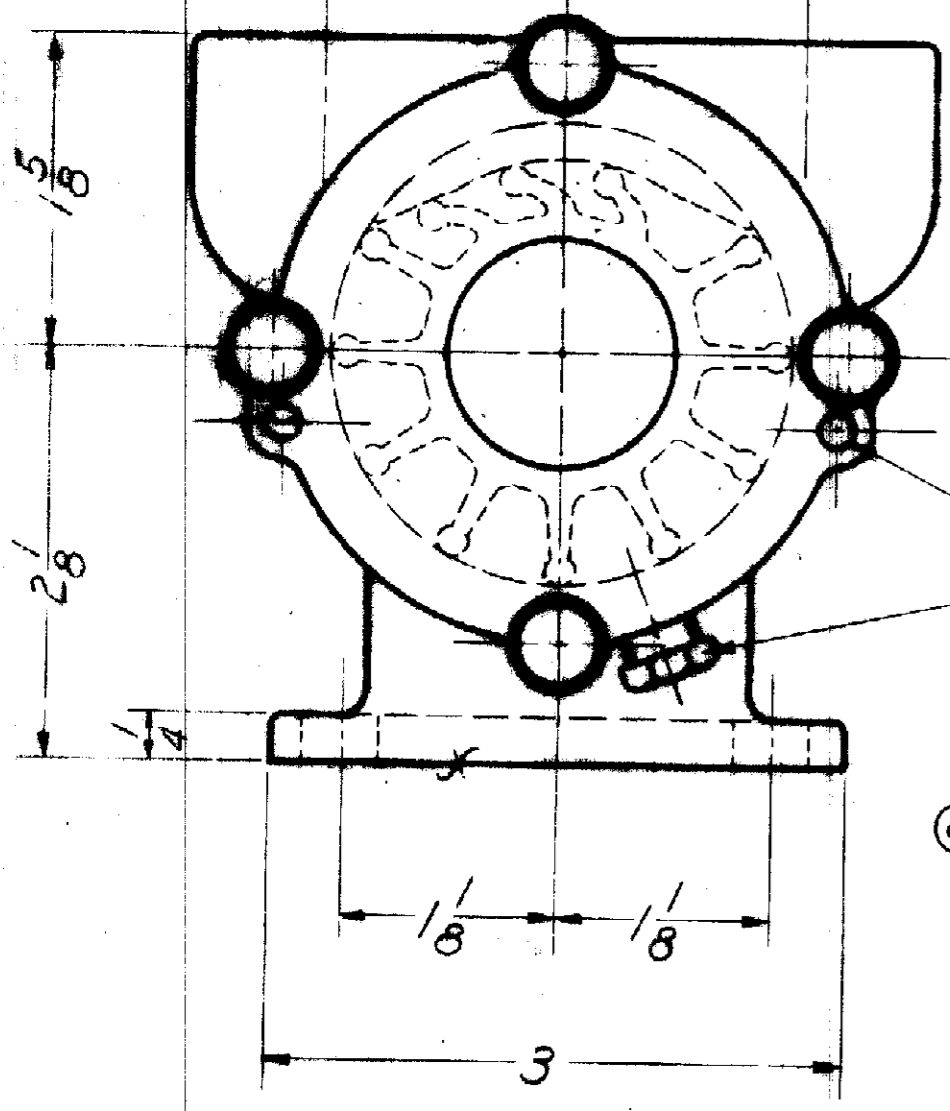
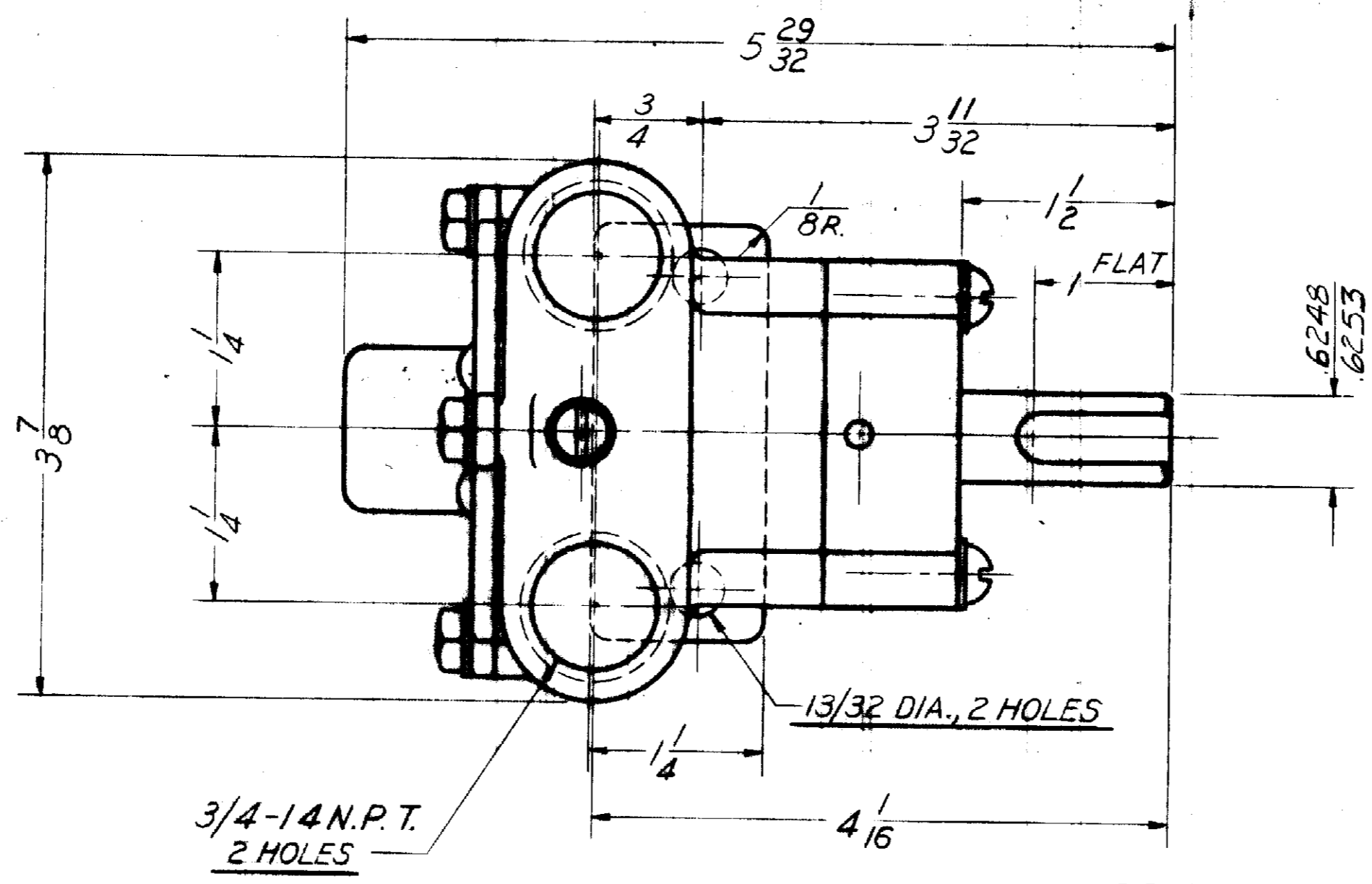
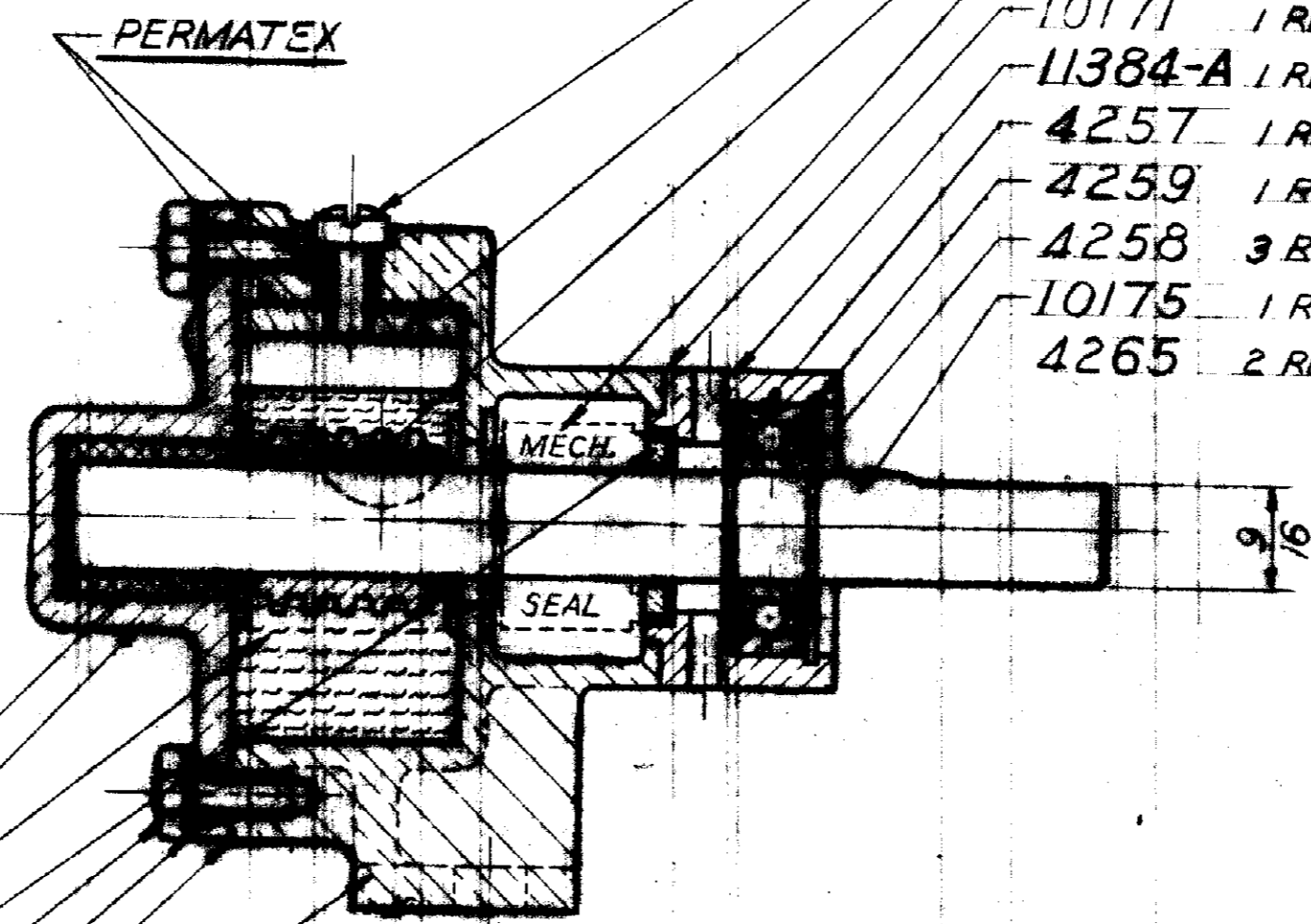


SERVICE PART NO.	COMPONENT PART NO'S	NO. REQ'D
10177	10176	1
BODY	1311	2
10096	10094	1
COVER	6333-G	1
10172	11384-A	1
HOUSING	10926	1
10927	10523	1
SEAL & SEAT	10926	1

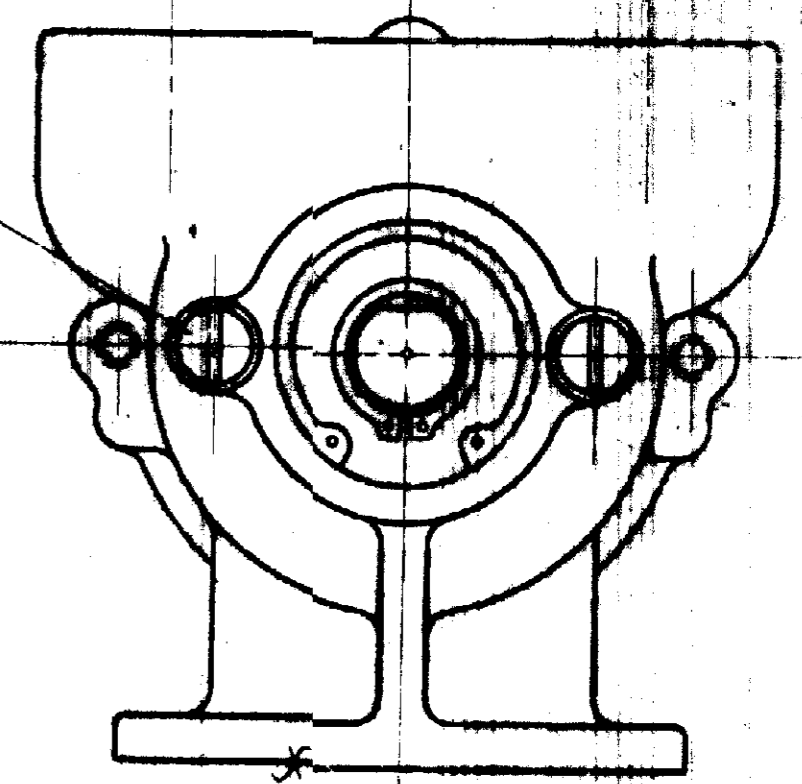
MAJOR REPAIR KIT #12937(L)
MINOR REPAIR KIT #10997(U)



- 1311 2 REQ'D
- 336 1 REQ'D
- 6333-G 1 REQ'D
- 10094 1 REQ'D
- 9959 1 REQ'D
- (E) 10926 1 REQ'D
- 1482 4 REQ'D
- P-12710 6 REQ'D
- 10103 1 REQ'D
- 10176 1 REQ'D



- 9919 1 REQ'D
- 10072 1 REQ'D
- 4432 1 REQ'D
- 10523 1 REQ'D (A)(B)(D)
- 10171 1 REQ'D
- 11384-A 1 REQ'D (F)
- 4257 1 REQ'D
- 4259 1 REQ'D
- 4258 3 REQ'D
- 10175 1 REQ'D
- 4265 2 REQ'D



NOTES (G)
1. USE JIFFY SHIPPING BAG N° 3 & CARTON "Y" FOR PACKAGING PUMP ASS'Y.
2. PASTE CARTON LABEL N° 12209 TO CARTON END PROPERLY MARKED.
(K) 3. INCLUDE SERVICE BULLETIN NO. 11856

K	SURVIVE BULLETIN ADDED	RT 10-23-70
J	10997 KIT REVISED	RM 10-20-70
I	12937 KIT ADDED	KV 10-20-70
H	10997 KIT REVISED	RS 09-17-70
G	10997 PARTS ADDED	RS 09-17-70
F		
E		
D		
C		
B		
A		

CAPACITY
16 G.P.M. @ 3000 R.P.M. MAX.

CURVE NO. 61021R

IMPPELLER PUMP ASS'Y

SEE DETAILS

MODEL "R" N° 50G