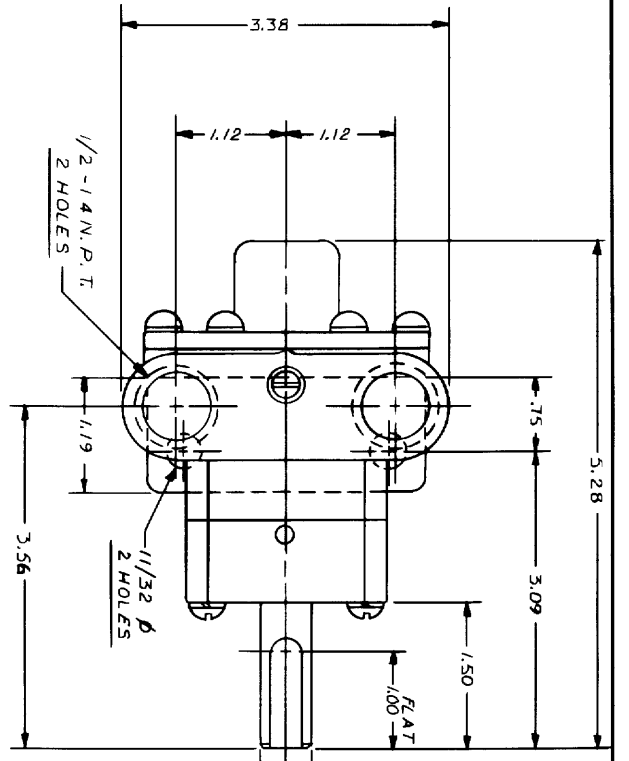


**PARTS LIST**

ITEM	PART NO.	DESCRIPTION	REQD.
1	10286	GASKET	1
2	343	WASHER	8
3	P4286	10-24x1/4 SCREW	6
4	10279	COVER	1
5	2075-G	BUSHING	1
6	1311	3/16 x 3/8 PIN	2
7	336	1/8 NPT x 3/8 PLUG	1
8	10195	10-32 x 1/4 SCREW	1
9	10285	CAM .149	1
10	10093	#2 WOODRUFF KEY	1
11	10197	GASKET	1
12	15103	HOUSING	1
13	4306	BALL BEARING	1
14	4303	INT. RET. RING.	1
15	4304	EXT. RET. RING.	3
16	10289	SHAFT	1
17	5437	1/4x10-24 SCREW	2
18	11361	SEAL SEAT	1
19	10522	MECH. SEAL	1
20	10071	IMPELLER	1
21	10596	BODY	1

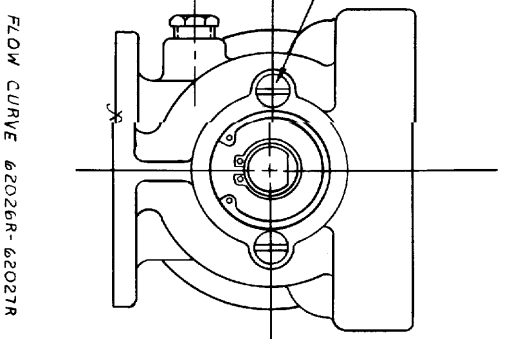
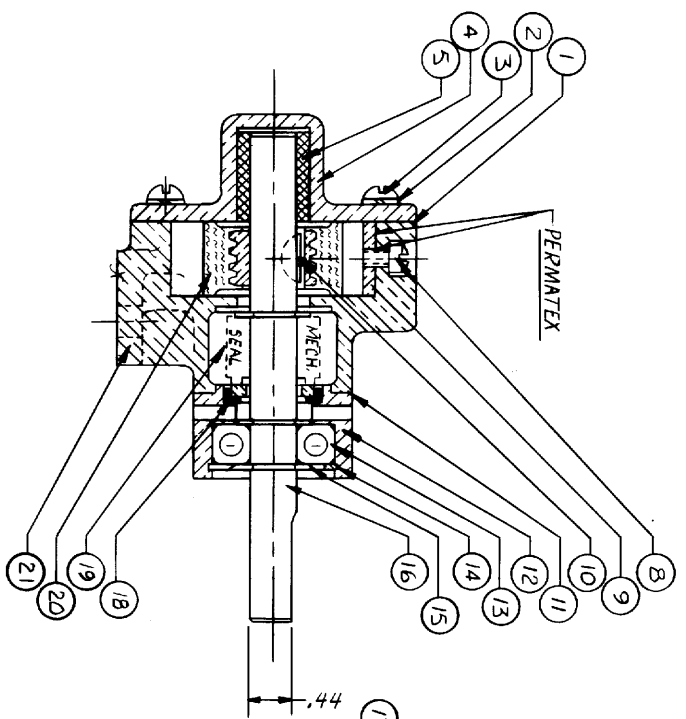
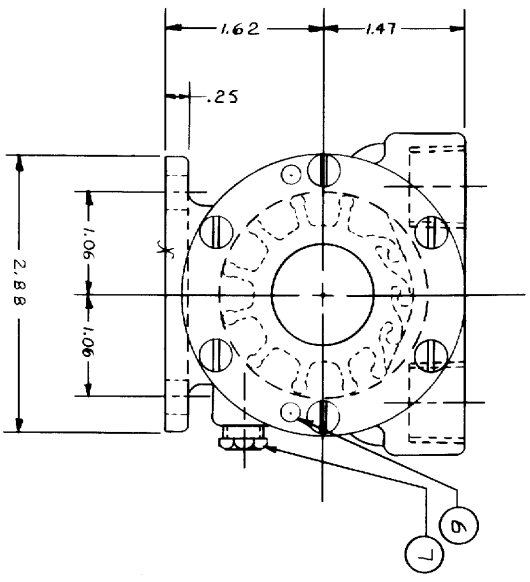
MODEL "R"  
NO. 306



**NOTES**  
 1. USE JIFFY SHIPPING BAG NO 1 & CARTON "R" FOR PACKAGING PUMP ASSY  
 2. PASTE CARTON LABEL NO 12209 TO CARTON END PROPERLY MARKED.  
 3. INCLUDE SERVICE BULLETIN NO. 11855

SERVICE PART NO.	COMPONENT PART NOS.	NO. REQD.
10597	10596	1
10281	1311	2
10198	10279	1
10197	2075-G	1
11361	15103	1
11361	10522	1
11361	11361	1

MAJOR REPAIR KIT # 12935  
 MINOR REPAIR KIT # 10996



FLOW CURVE 62026R-62027R

CAPACITY  
 8.0 G.P.M. @ 3000 R.P.M. MAX.

REV	M	REDRAWN WITHOUT CHANGE	KB	1-14-87
UNLESS OTHERWISE SPECIFIED				
CUTTER DIMENSIONS ±.02				
FINISH STOCK .07				
MACHINING TOLERANCE INCHES				
XX + .01, XXX + .005				
SURFACE ROUGHNESS				
ANGLES 90° ±.01 MAX.				
PARALLELISM .001				
FLATNESS .001				
SQUANNESS .001				
CONCENTRICITY .001				
ROUNDNESS .002				
RUNOUT .001				

**SHERWOOD**  
**ALEAR SIEGLER COMPANY**  
 6331 E. JEFFERSON AVE. • DETROIT, MICHIGAN 48207

DATE: 5-29-61 WJF  
 CHECKER: DATE: 4-3-61

TITLE: **IMPELLER PUMP ASSY**

MATERIAL: SEE DETAILS  
 DWG. NO. MODEL "R" NO. 306