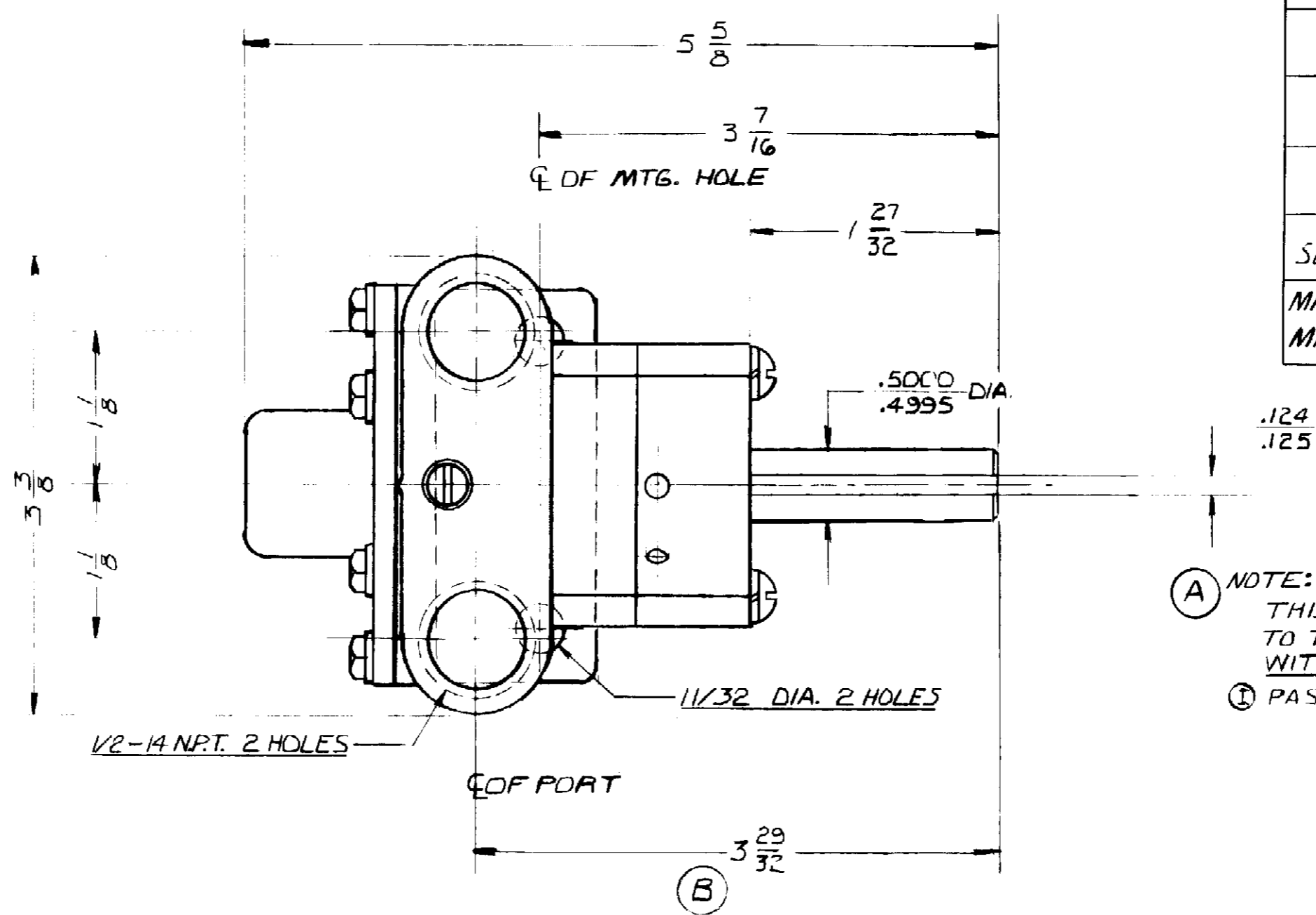


PARTS LIST

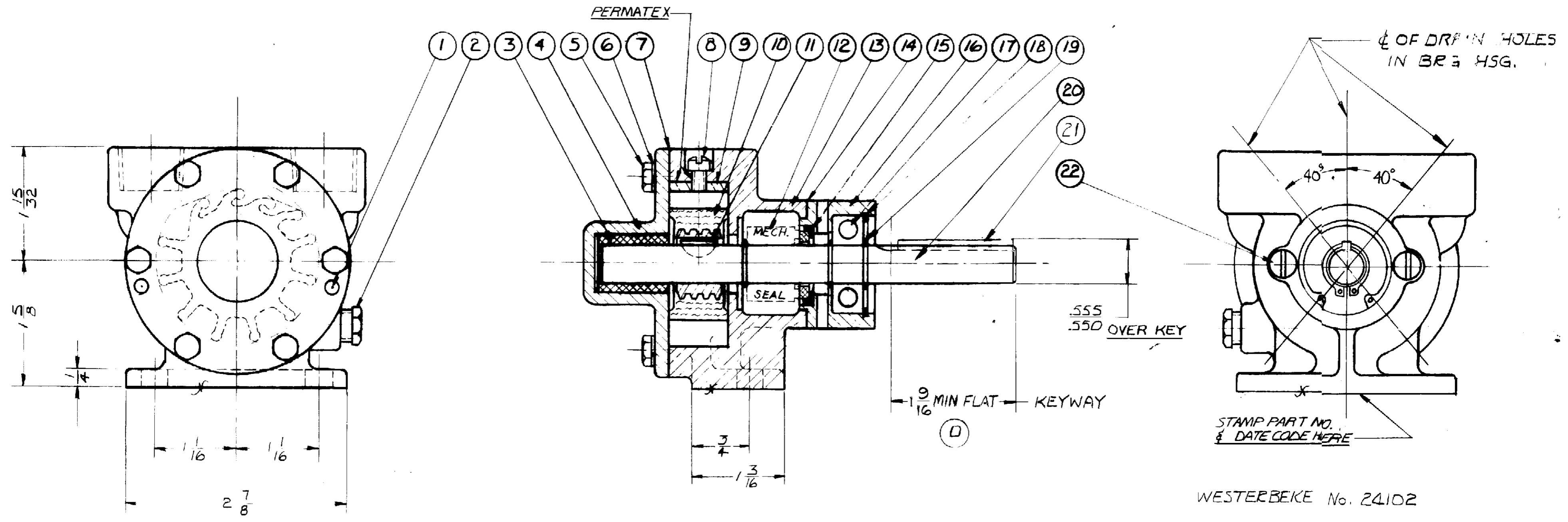
ITEM	PART NO.	DESCRIPTION	REQ'D
1	1311	DOWEL PIN	2
2	336	DRAIN PLUG	1
3	2075-G	BUSHING	1
4	10279	COVER	1
5	18899	HEX HD. CAPSCREW	6
6	343	LOCKWASHER	8
7	10286	GASKET	1
8	10195	CAM SCREW	1
9	10285	CAM	1
10	10077	IMPELLER	1
11	10093	KEY #2 WOODRUFF	1
12	10522	MECH. SEAL	1
13	10596	BODY	1
14	10197	GASKET	1
15	11361	SEAT	1
16	15103	BALL BEARING HSG.	1
17	4306	BALL BEARING	1
18	4303	RET. RING	1
19	4304	RET. RING	3
20	11854	SHAFT	1
21	13370	KEY SQUARE	1
22	5437	SCREW	2
23	11856	SURVIVE BULLETIN	1

F306-1

SERVICE PART NO	COMPONENT PART NO'S	NO. REQ'D
10597	10596	1
BODY	1311	2
10281	10279	1
COVER	2075-G	1
11367	10522	1
SEAL & SEAT	11361	1
MAJOR REPAIR KIT #12935		
MINOR REPAIR KIT #10996		



NOTE:
THIS PUMP ASSEMBLY IS TO BE SHIPPED TO THE CUSTOMER IN A NO 17885 CARTON WITH INSERTS. 16 PUMPS TO A CARTON!
PASTE NO 12209 LABEL TO CARTON END.



WESTERBEKE No. 24102

CURVE NO. 62026A-62027A

REV.	DESCRIPTION	DATE
J	NO 18899 WAS 12686 SCREW	4/13/90
I	CARTON LABEL ADDED	4/13/89
H	DRAIN HOLES ADDED	1-6-84
G	15103 HSG WAS 11379A	11-9-83
F	13370 KEY ADDED	10-31-80
E	SURVIVE BULLETIN ADDED	10-23-80
D	SHAFT KEYWAY REVISED	5-14-80
C	X404T KEY REMOVED	5-14-80
B	3 29/32 WAS 4 19/32	2-13-78
A	NO. 10 CARTON WAS NO. 4	11-10-78

UNLESS OTHERWISE SPECIFIED TOLERANCE TO BE:
CAST DIMENSION ± .020
MACHINED DIMENSION:
FRACTIONAL ± .010
DECIMAL ± .005
ANGLES ± 1/2°
MACHINED SURFACE ROUGHNESS ALLOW 1/16 STOCK ON ALL FINISHED SURFACES FOR MACHINING
BREAK ALL SHARP EDGES .010 MAX
CAST FILLETS AND RAD 1/16 R

SHERWOOD
A DIVISION OF HYPRO CORPORATION
6331 E. JEFFERSON AVE. • DETROIT, MICHIGAN 48207

DRAFTSMAN	DATE	CHECKER	DATE	ASSY NO.
R.J.	8-2-79	RBM	8-3-79	

TITLE: **IMPELLER PUMP ASS'Y**
MATERIAL: **SEE DETAILS**
DWG NO: **R306-1**

F 01210