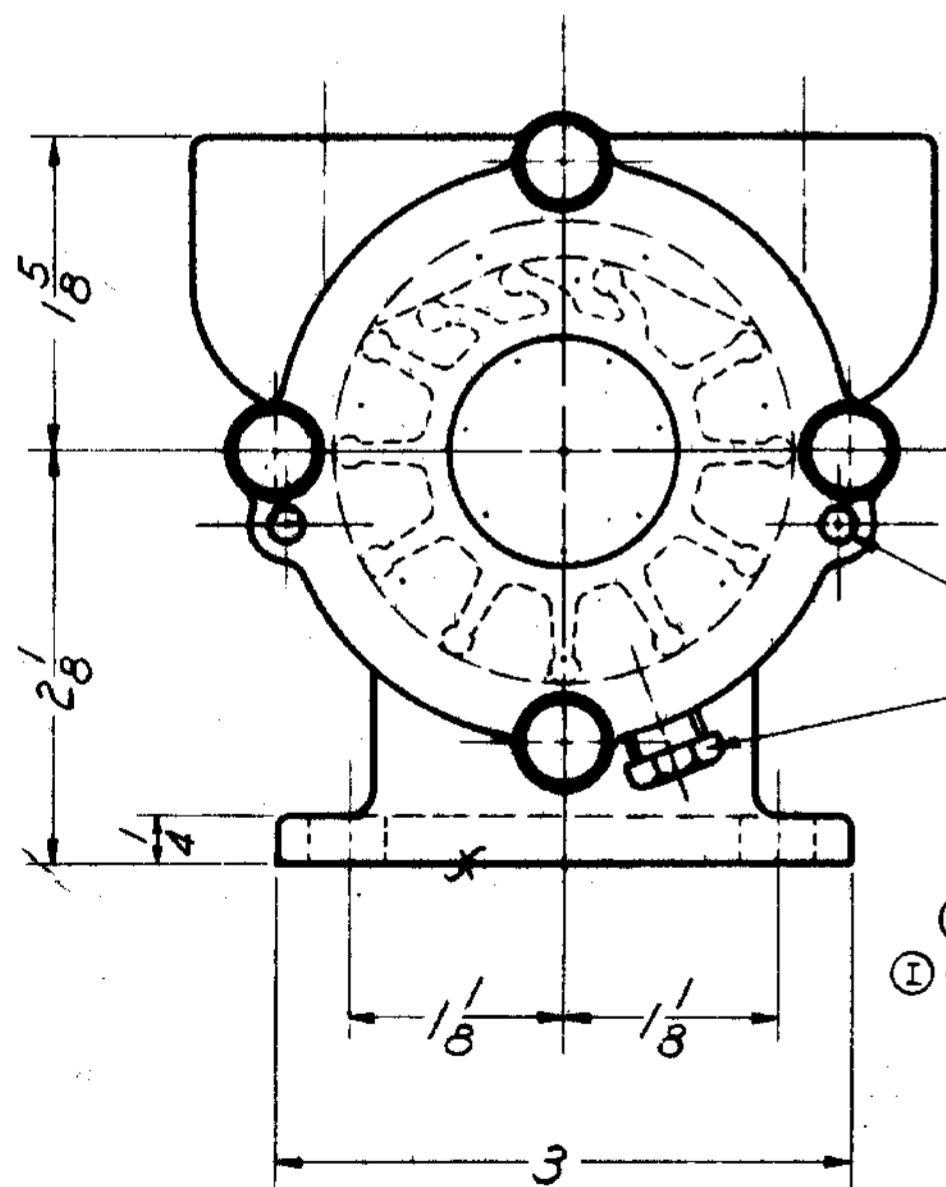
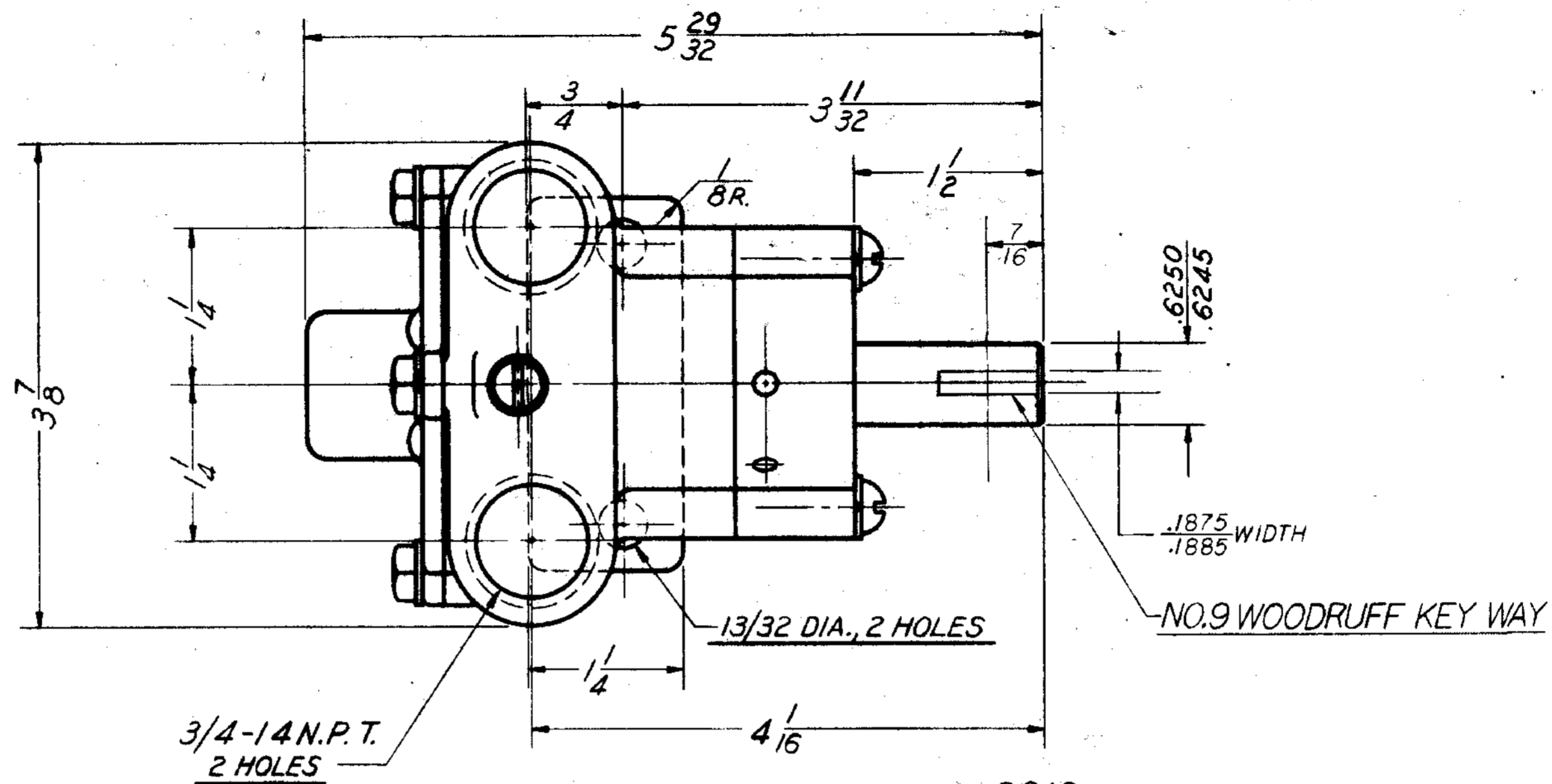
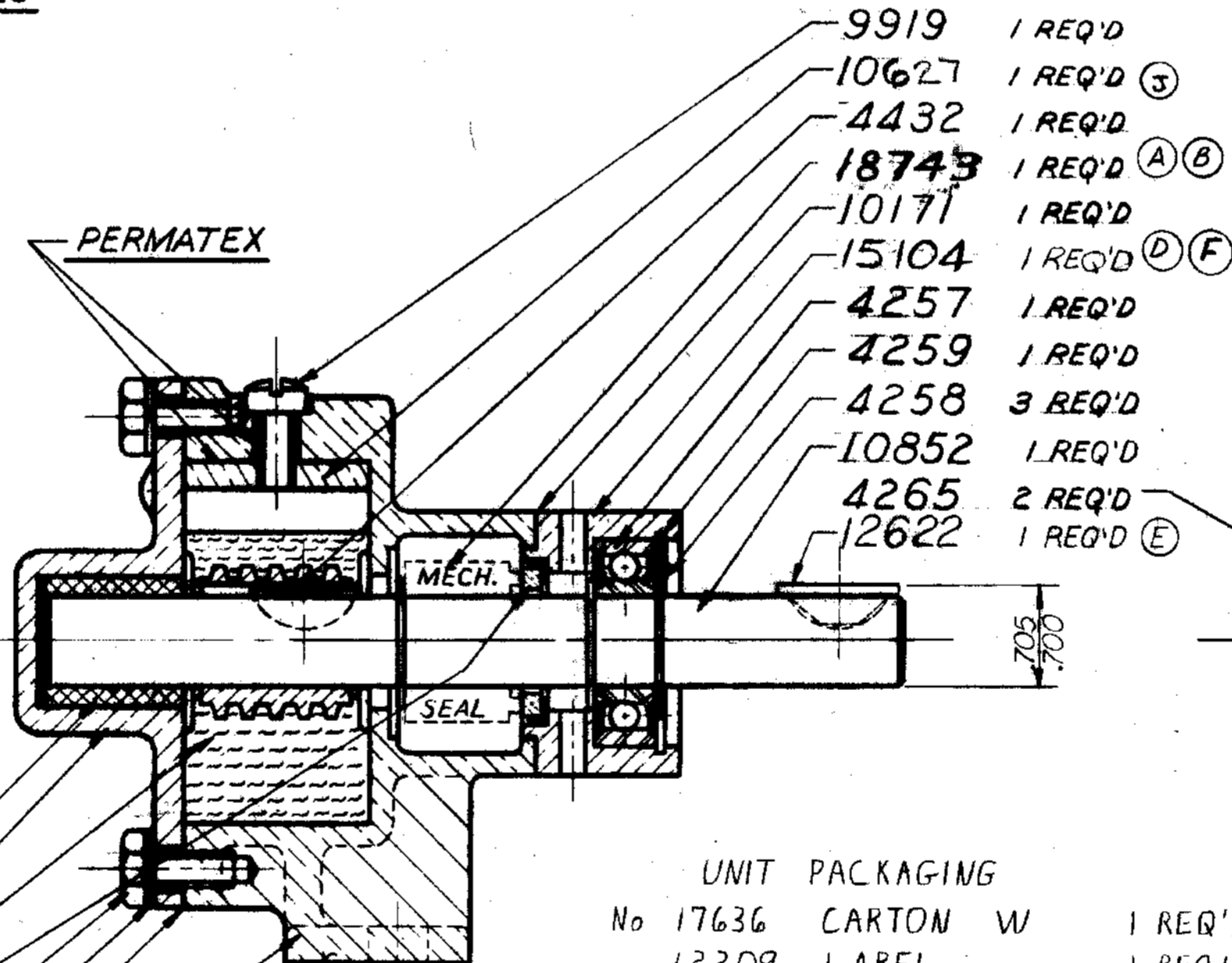


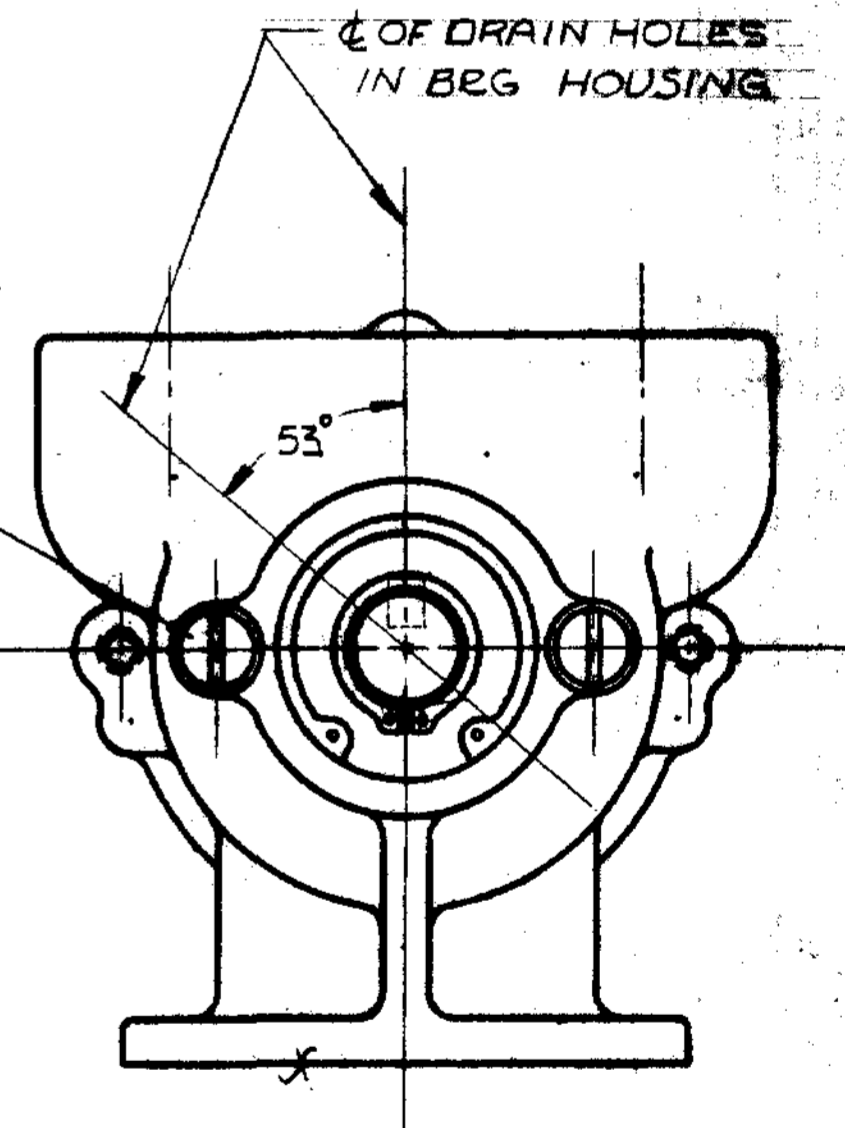
SERVICE PART NO.	COMPONENT PART NO'S	NO. REQ'D
10177	10176	1
BODY	1311	2
10096	10094	1
COVER	6333-G	1
10927	18743	1
SEAL & SEAT	10926	1



- 1311 2 REQ'D
- 336 1 REQ'D
- 6333-G 1 REQ'D
- 10094 1 REQ'D
- 9959 1 REQ'D
- ©10926 1 REQ'D
- ①②19705 4 REQ'D
- P-12710 6 REQ'D
- 10103 1 REQ'D
- 10176 1 REQ'D



- UNIT PACKAGING
- No 17636 CARTON W 1 REQ'D
 - 12209 LABEL 1 REQ'D
 - 14486 JIFFY BAG #4 1 REQ'D



CAPACITY
16 G.P.M. @ 3000 R.P.M. MAX.

REF. FLOW CURVE R-50-G

J	WAS NO 10072 CAM	GM	12-16-92
I	SCREW WAS NO 19297	KB	10-4-91
H	WAS NO 1482 CAPSCREW	AVB	9/2/80
G	MECH. SEAL WAS 10522	KB	8-16-89
F	15104 HSG WAS 11384A	RM	11-9-83
E	12622 KEY ADDED	RM	1-12-78
D	WAS NO 10172 HOUSING	AVB	8/1/87
C	NO 10926 SEAT ADDED	AVB	8/1/87
B	WAS # 7159 SEAL	AVB	7/1/87
A	WAS # 10159 SEAL	AVB	10-2-87

SAME AS F15

SHERWOOD
A DIVISION OF HYPRO CORPORATION
6381 E. JOHNSON AVE. - DETROIT, MICHIGAN 48207

TITLE: IMPELLER PUMP ASS'Y

SCALE: FULL

DRAWN: A.V.B.

CHECKED: []

APPROVED: []

DATE: 1-18-68

PART NO. R-10870-0

SEE DETAILS