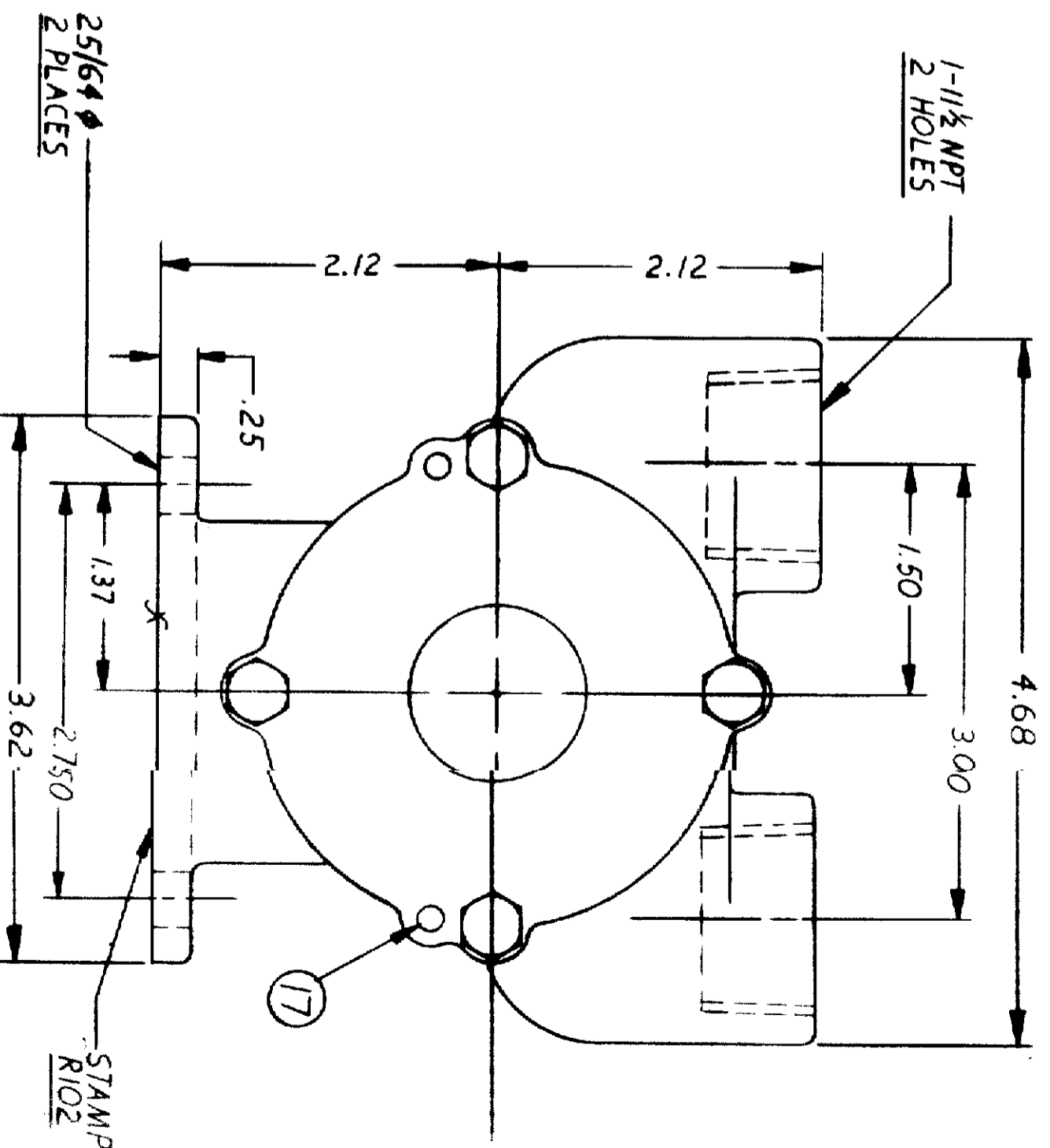
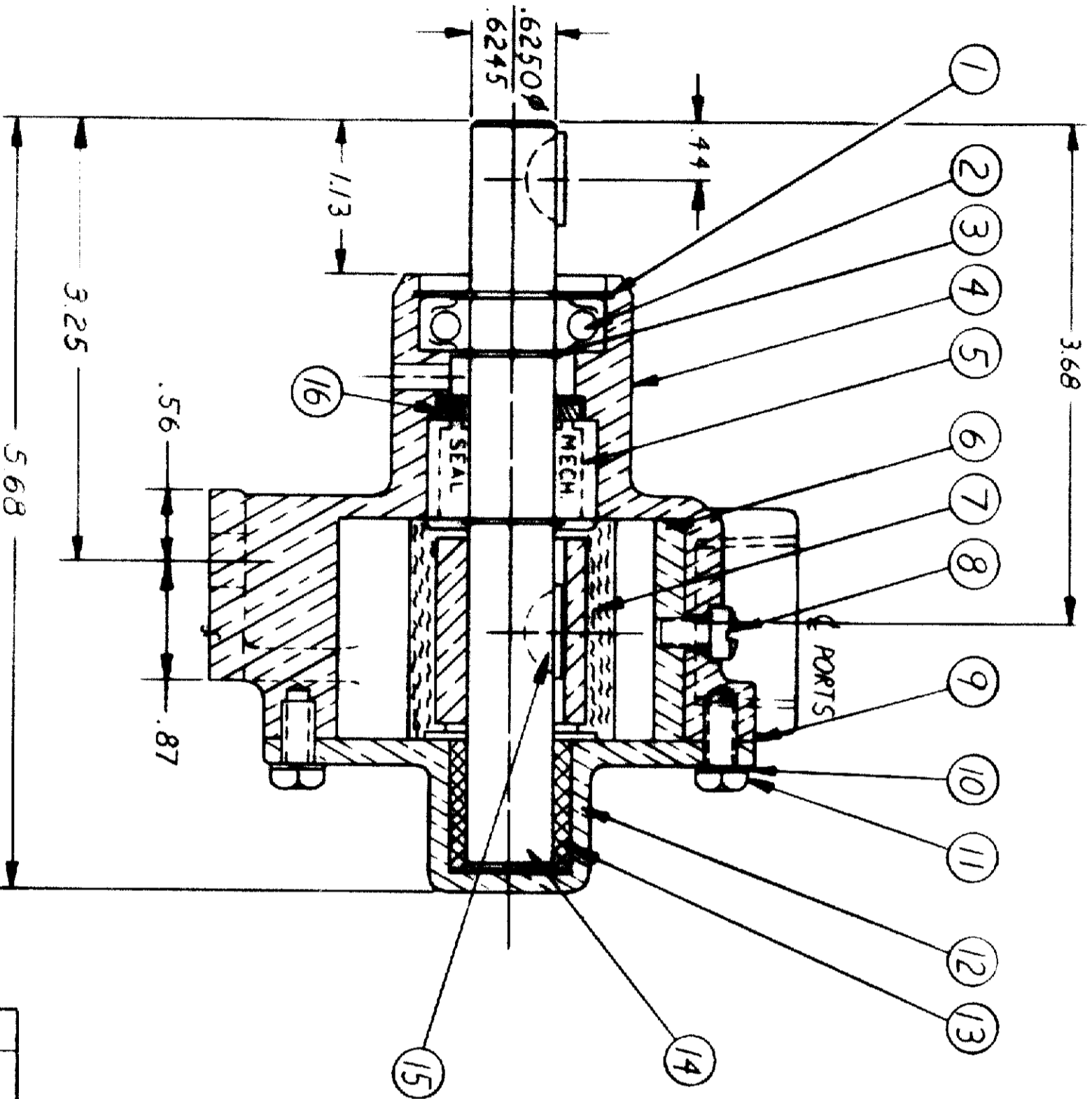


ITEM	PART NO.	DESCRIPTION	REQ'D.
1	4259	RETAINING RING	1
2	4257	BEARING	1
3	4258	EXT. RETAINING RING	3
4	18501	BODY	1
5	18743	MECH. SEAL	1
6	10929	IMPELLER PUMP CAM	1
7	11843	IMPELLER	1
8	10515	CAM SCREW	1
9	10931	GASKET	1
10	12710	LOCKWASHER	4
11	M83	CAPSCREW	4
12	10182	COVER	1
13	6333	BUSHING	1
14	18502	SHAFT	1
15	4432	NR 9 KEY	2
16	10926	SEAL SEAT	1
17	1311	DOWEL PIN	2

SERVICE PART NO.	COMPONENT PART NO'S	NO. REQ'D
18503	18501	1
BODY	1311	2
10183	10182	1
COVER	6333	1
10927	10523	1
SEAL & SEAT	10926	1



PACKAGING

No. 11516 PALLET 1 REQ'D
 14120 TUBE CONTAINER 1 REQ'D
 14122 PAD 7 REQ'D
 18025 INSERT 5 REQ'D
 25 PUMPS/LAYER X 4 LAYERS = 100 PUMPS/PALLET

UNIT PACKAGING
 No 17636 CARTON W 1 REQ'D
 14486 TITLY ENL. N. 4 1 REQ'D
 12209 LABEL 1 REQ'D

R102

REV	DESCRIPTION	DATE	BY	APP'D
A	PACKAGING NOTE ADDED		BM	

UNLESS OTHERWISE SPECIFIED
 CAST DIMENSIONS ± .02
 FILETS & RADIUS .06
 FINISH STOCK .07
 MACHINING TOLERANCE INCHES
 XX ± .01, XXX ± .005
 SURFACE ROUGHNESS
 ANGLES ± 0° 30'
 CORNER BREAKS .01 MAX.
 PARALLELISM .001
 FLATNESS .001
 SQUARENESS .001
 CONCENTRICITY .001
 ROUNDNESS .0002
 RUNOUT .001

SHERWOOD
 A DIVISION OF HYDRO CORPORATION
 4331 E. JEFFERSON AVE. • DETROIT, MICHIGAN 48207

DRAFTSMAN: ML
 DATE: 4-19-88
 CHECKED: AVB
 DATE: 5/11/88
 PROJ. NO.: 774

TITLE: RUBBER IMPELLER PUMP ASSEMBLY

MATERIAL: SEE DETAIL
 DWG. NO.: R102