

PARTS LIST

ITEM	PART NO.	DESCRIPTION	QTY.
1	18466	SHAFT	1
2	18446	PULLEY	1
3	4258	RETAINING RING-EXT.	3
4	4259	RETAINING RING-INT.	1
5	4257	BEARING	1
6	10926	SEAL SEAT	1
7	18743	MECH. SEAL	1
8	10615	IMPELLER	1
9	18467	HOUSING	1
10	12231	O-RING	1
11	18468	COVER	1
12	12710	LOCKWASHER	3
13	18266	CAPSCREW 1/4-20x3/4	3
14	6333	BUSHING	1
15	12841	NO.9 NON-ROK	1
16	10515	SCREW 1/4-20x3/8	1
17	10944	CAM	1
18	13285	TAG	1
19	18744	SEAL & SEAT ASS'Y	1
11414	18469	COVER ASS'Y	1
8,10	18653	MAJOR REPAIR KIT	SERVICE
8,10	18654	MINOR REPAIR KIT	SERVICE

△

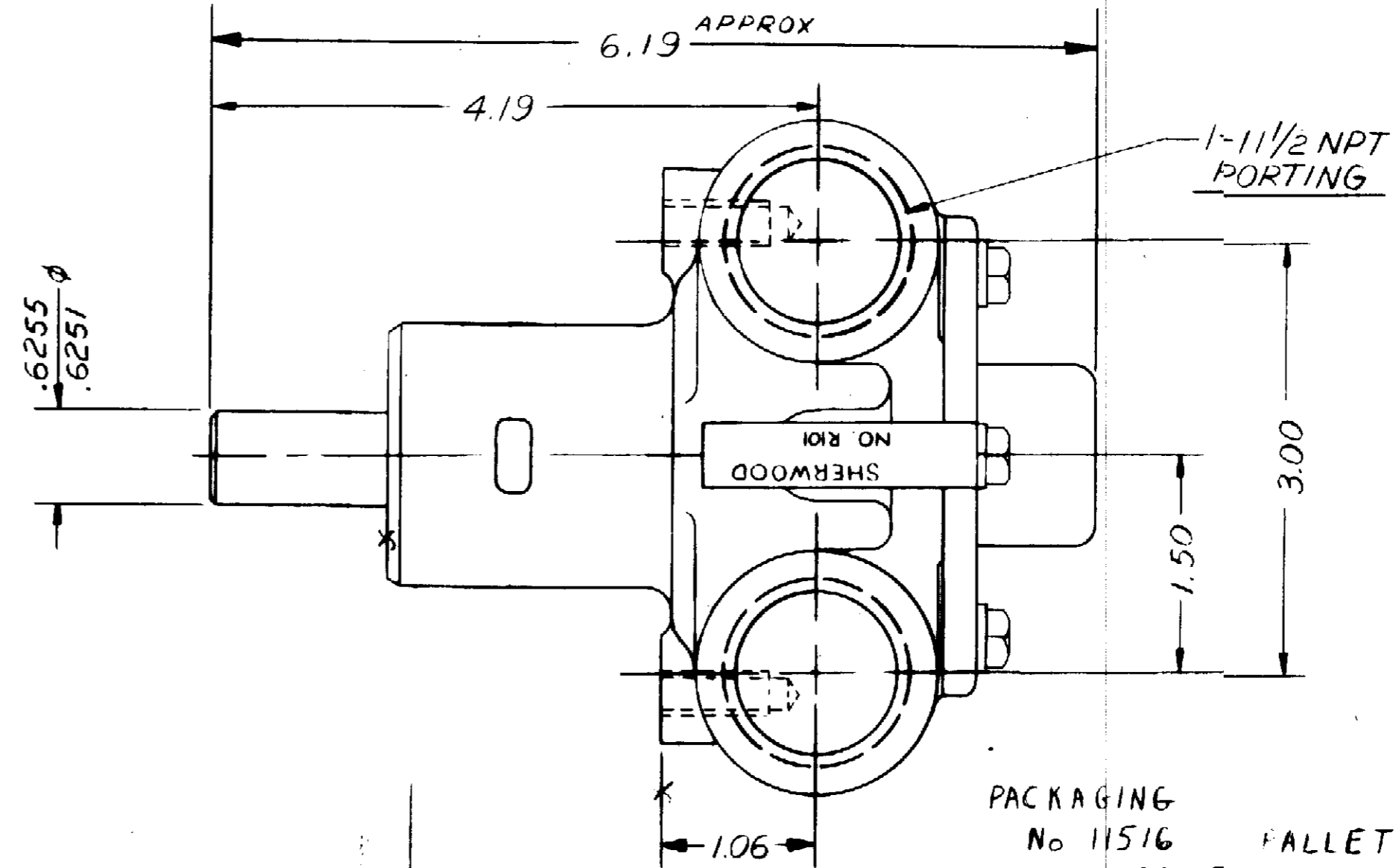
⊙

⊙

⊙

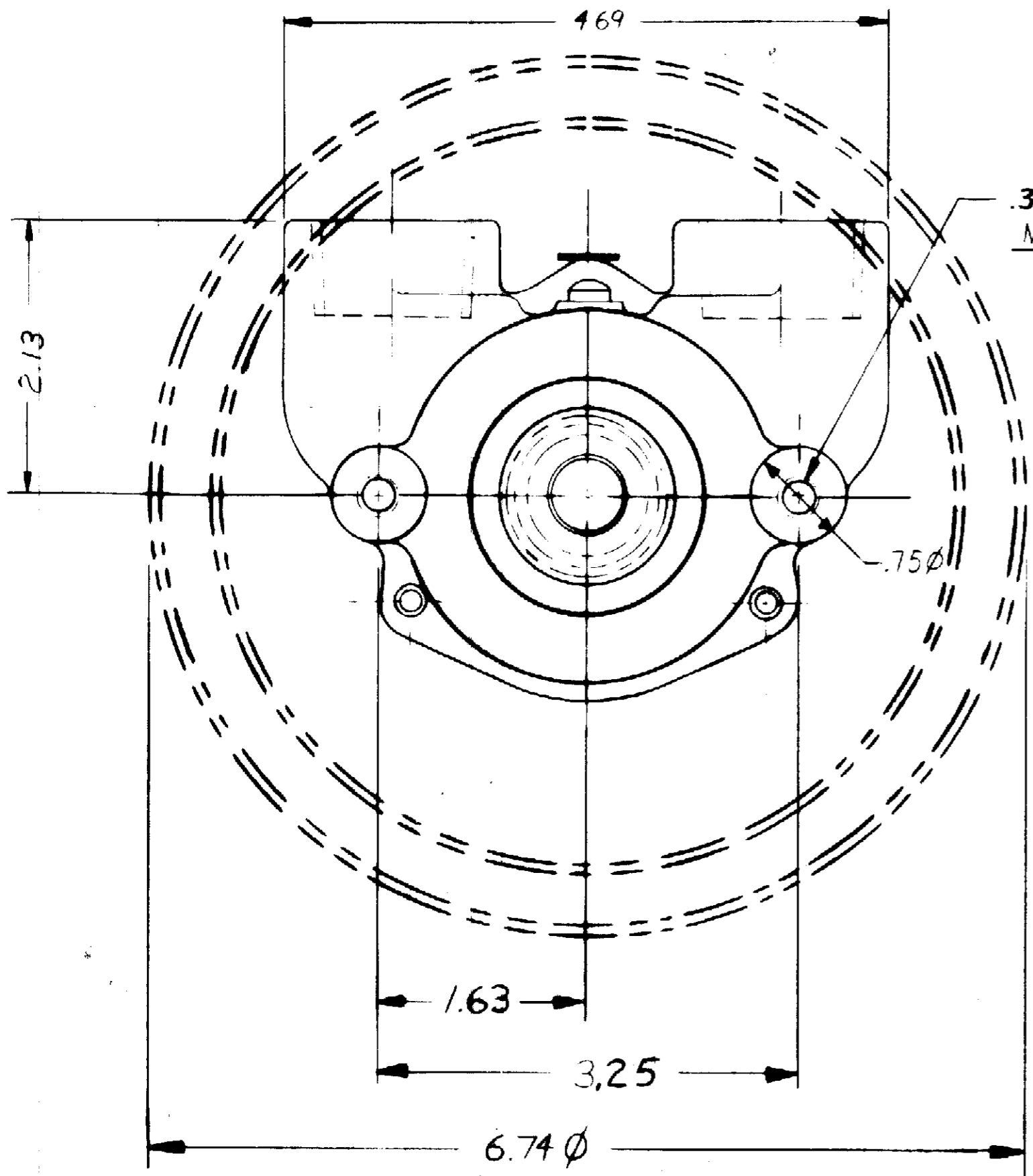
⊙

⊙

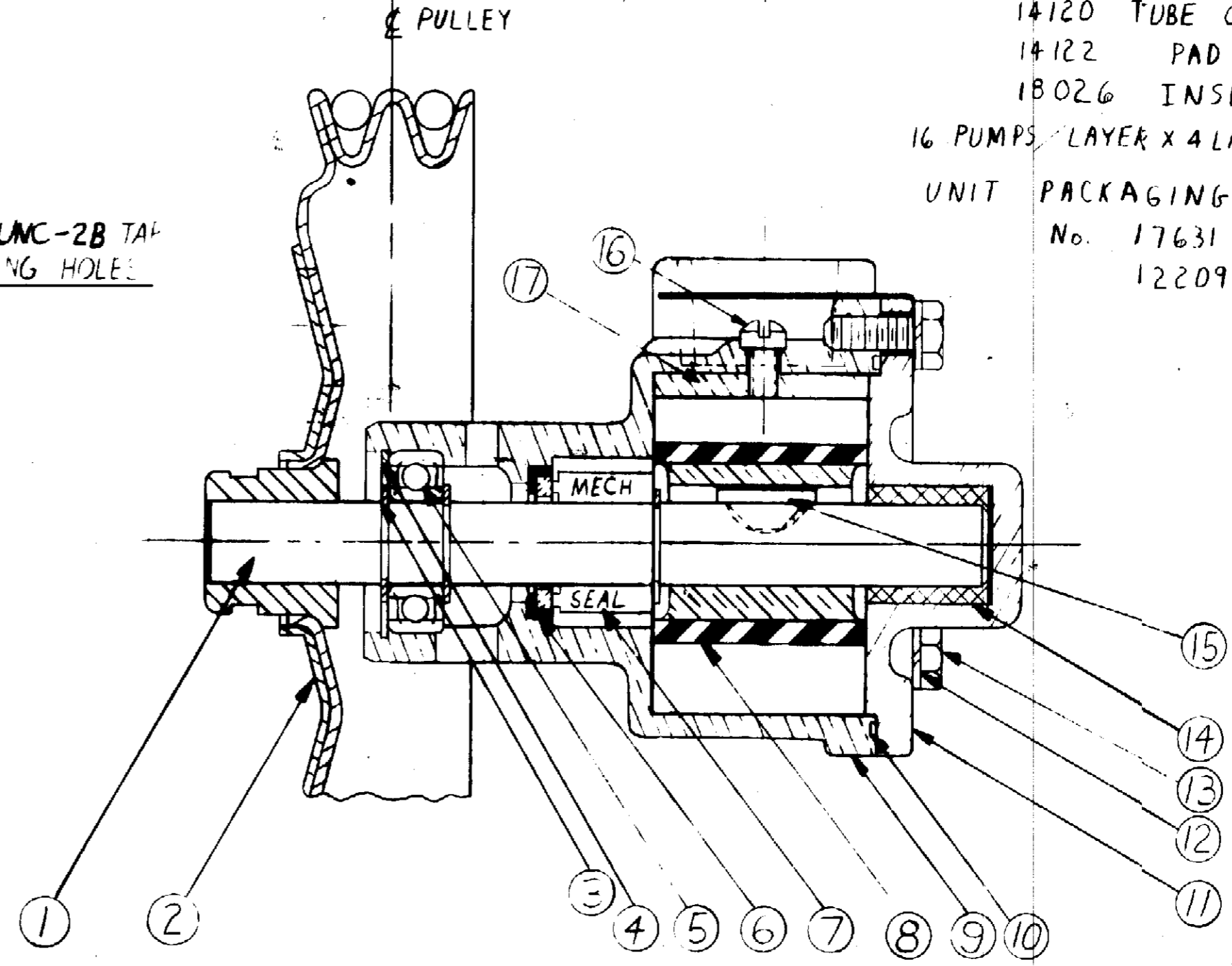


PACKAGING
 No 11516 PALLET 1 REQ'D
 14120 TUBE CONTAINER 1 REQ'D
 14122 PAD 6 REQ'D
 18026 INSERT 4 REQ'D
 16 PUMPS / LAYER X 4 LAYERS = 64 PUMPS / PALLET

UNIT PACKAGING
 No. 17631 CARTON 0 1 REQ
 12209 LABEL 1 REQ



3/12-18 UNC-2B TAP MOUNTING HOLES



△ PULLEY N° 10251300 FURNISHED BY THERMO ⊙

REV	DESCRIPTION	APPR	DATE
I	VALUACIN NITR ADDED	F.M.	1/1/88
H	N°18653 MAJOR REPAIR KIT REVISED	AVB	2/20/88
G	N°12841 KEY WAS N°4432	AVB	11/7/88
F	N°18744 SEAL ASS'Y WAS N°10927	AVB	10/7/88
E	N°18743 SEAL WAS N°10523	AVB	10/7/88
D	NOTE ADDED	ML	8/3/88
C	N°18654 MINOR REPAIR KIT ADDED	ML	8/3/88
B	N°18653 MAJOR REPAIR KIT ADDED	ML	8/3/88
A	WAS N°12857 HEX. CAPSCREW	AVB	11/4/88

UNLESS OTHERWISE SPECIFIED
 CAST DIMENSIONS ± .02
 FILLETS & RADII .06
 FINISH STOCK .07
 MACHINING TOLERANCE, INCHES
 XX ± .01, XXX ± .005
 SURFACE ROUGHNESS
 ANGLES ± 0° 30'
 CORNER BREAKS .01 MAX
 11 PARALLISM .001
 12 FLATNESS .001
 13 SQUARENESS .001
 14 CONCENTRICITY .001
 15 ROUNDNESS .0002
 16 RUNOUT .001

SHERWOOD
 A DIVISION OF HYPRO CORPORATION
 6331 E. JEFFERSON AVE. - DETROIT, MICHIGAN 48207

DRAFTSMAN DATE CHECKER DATE PROJ. NO.
 ML 1-18-88 AVB 1/22/88 752

TITLE
ASS'Y RUBBER IMPELLER PUMP

MATERIAL SEE DETAILS DWG NO.
R101